

**KDE600XF-530 KDE DIRECT XF BRUSHLESS MOTOR, GEN3
PRODUCTION RELEASE**

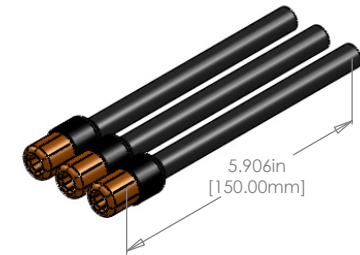
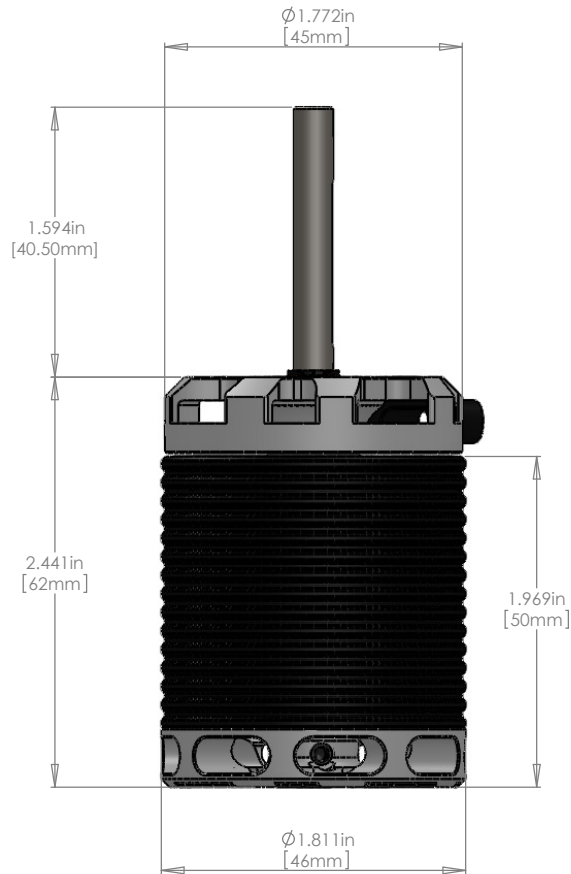
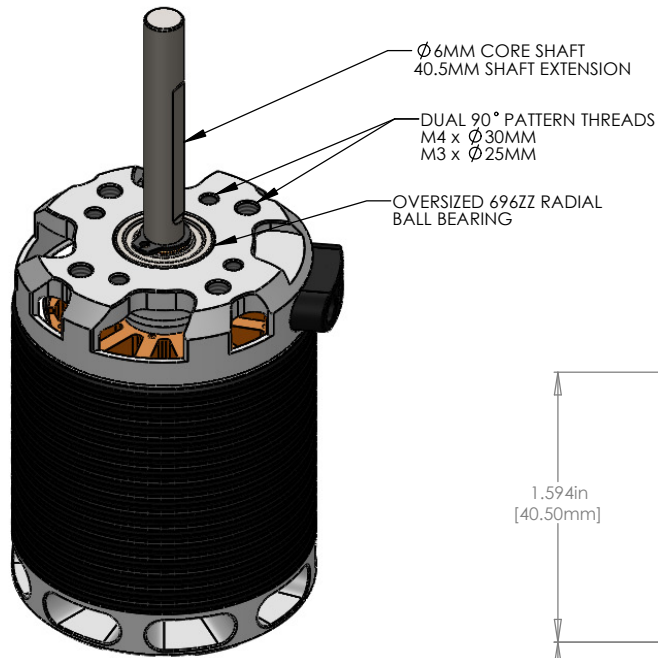
KDE DIRECT XF BRUSHLESS MOTOR SPECS.

Ø6mm Core Shaft
 Ø6mm, 40.5mm Extended Length
 - Shaft Flush with Centrifugal Fan Surface

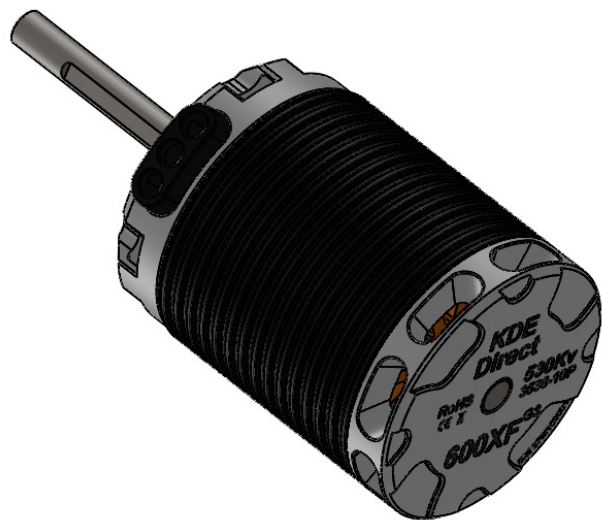
696ZZ Upper Bearing (Ø6mm x Ø15mm x 5mm)
 MR106ZZ Lower Bearings (Ø6mm x Ø10mm x 3mm)
 - Triple Lower Bearings

Dual 90° Pattern Threads:
 M4 Threads x Ø30mm Spacing
 M3 Threads x Ø25mm Spacing

150mm Exit Lead Extensions (13 AWG)
 Ø6.5mm 24K Bullets, Pre-Soldered and Shrink Wrap



150.0MM EXIT LEAD EXTENSIONS (13 AWG)
 Ø6.5MM MALE BULLETS PRE-SOLDERED



www.KDEDirect.com

www.KDEDirect.com
KDE600XF-530-G3