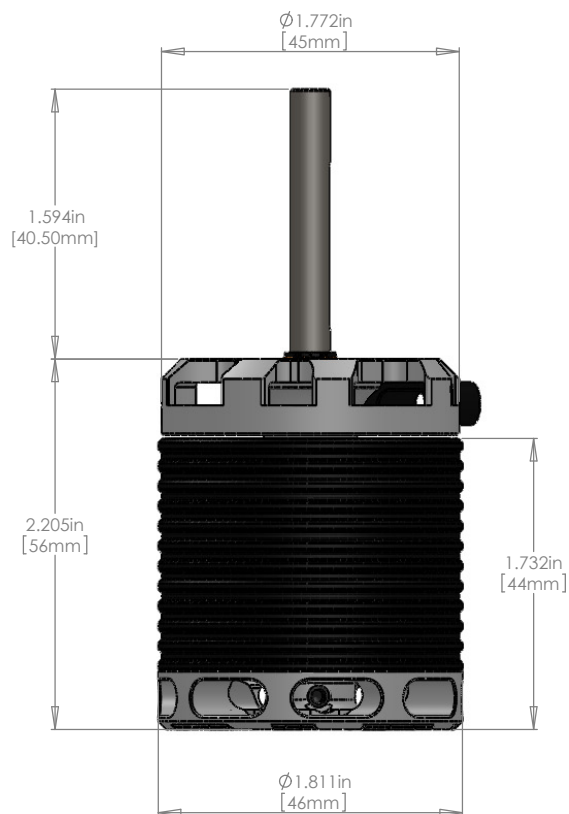
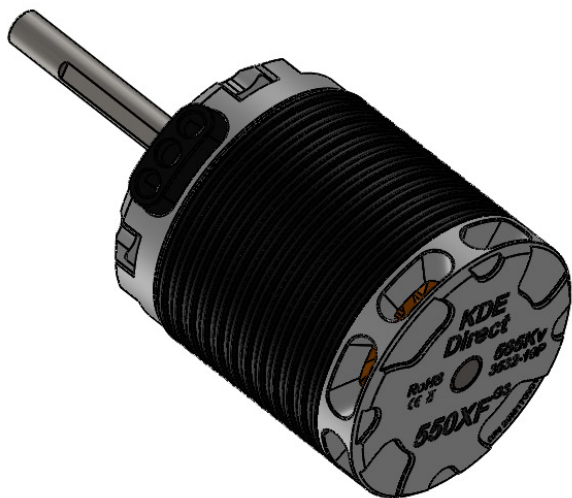
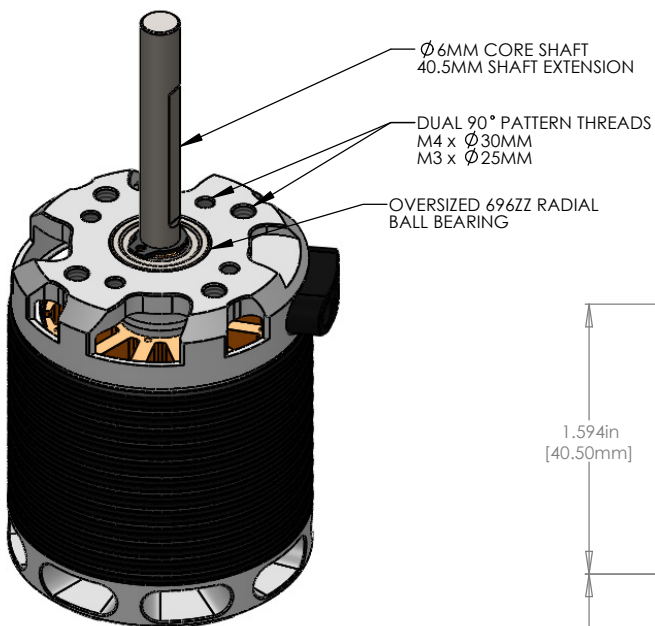


**KDE550XF-565 KDE DIRECT XF BRUSHLESS MOTOR, GEN3
PRODUCTION RELEASE**



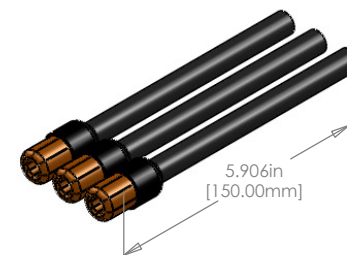
KDE DIRECT XF BRUSHLESS MOTOR SPECS.

- \varnothing 6mm Core Shaft
- \varnothing 6mm, 40.5mm Extended Length
- Shaft Flush with Centrifugal Fan Surface

- 696ZZ Upper Bearing (\varnothing 6mm x \varnothing 15mm x 5mm)
- MR106ZZ Lower Bearings (\varnothing 6mm x \varnothing 10mm x 3mm)
- Triple Lower Bearings

- Dual 90° Pattern Threads:
- M4 Threads x \varnothing 30mm Spacing
- M3 Threads x \varnothing 25mm Spacing

- 150mm Exit Lead Extensions (13 AWG)
- \varnothing 6.5mm 24K Bullets, Pre-Soldered and Shrink Wrap



150.0MM EXIT LEAD EXTENSIONS (13 AWG)
 \varnothing 6.5MM MALE BULLETS PRE-SOLDERED



www.KDEDirect.com
KDE550XF-565-G3