

**KDE550XF-1200 KDE DIRECT XF BRUSHLESS MOTOR, GEN3
PRODUCTION RELEASE**

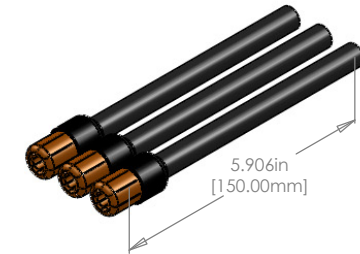
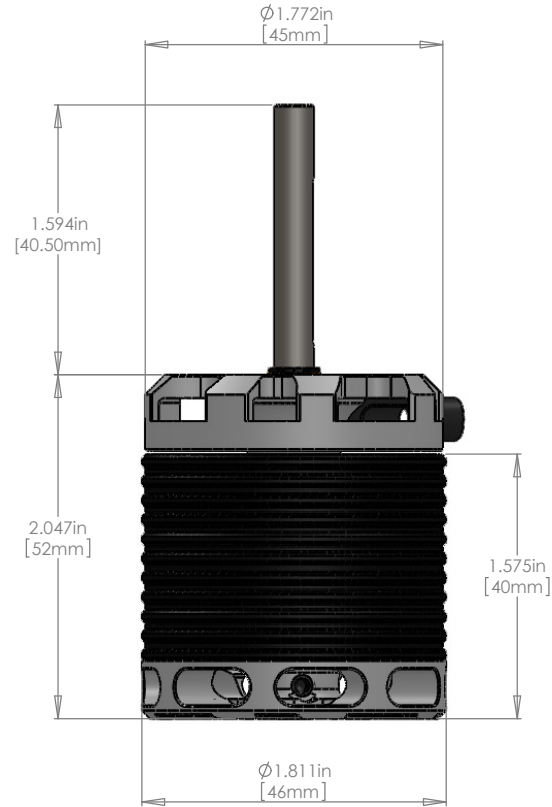
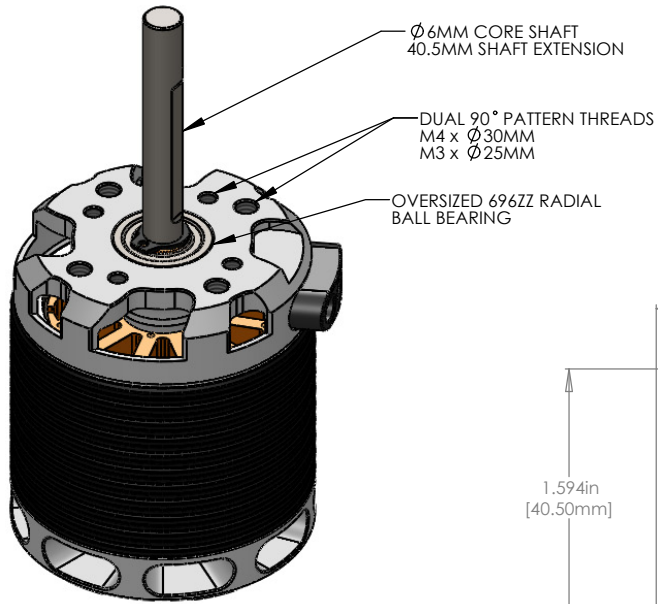
KDE DIRECT XF BRUSHLESS MOTOR SPECS.

- Ø6mm Core Shaft
- Ø6mm, 40.5mm Extended Length
- Shaft Flush with Centrifugal Fan Surface

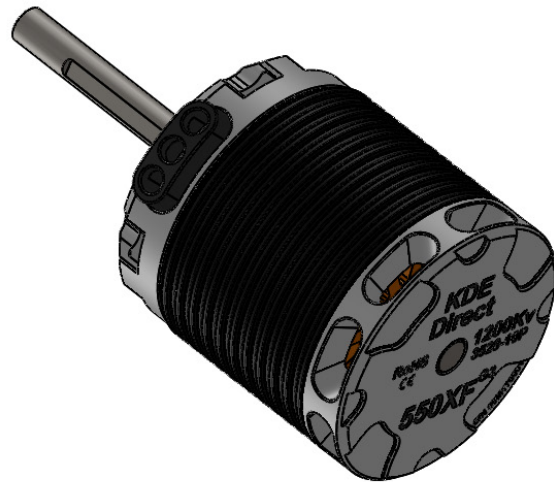
- 696ZZ Upper Bearing (Ø6mm x Ø15mm x 5mm)
- MR106ZZ Lower Bearings (Ø6mm x Ø10mm x 3mm)
- Triple Lower Bearings

- Dual 90° Pattern Threads:
- M4 Threads x Ø30mm Spacing
 - M3 Threads x Ø25mm Spacing

- 150mm Exit Lead Extensions (13 AWG)
- Ø6.5mm 24K Bullets, Pre-Soldered and Shrink Wrap



150.0MM EXIT LEAD EXTENSIONS (13 AWG)
Ø6.5MM MALE BULLETS PRE-SOLDERED



www.KDEDirect.com
KDE550XF-1200-G3