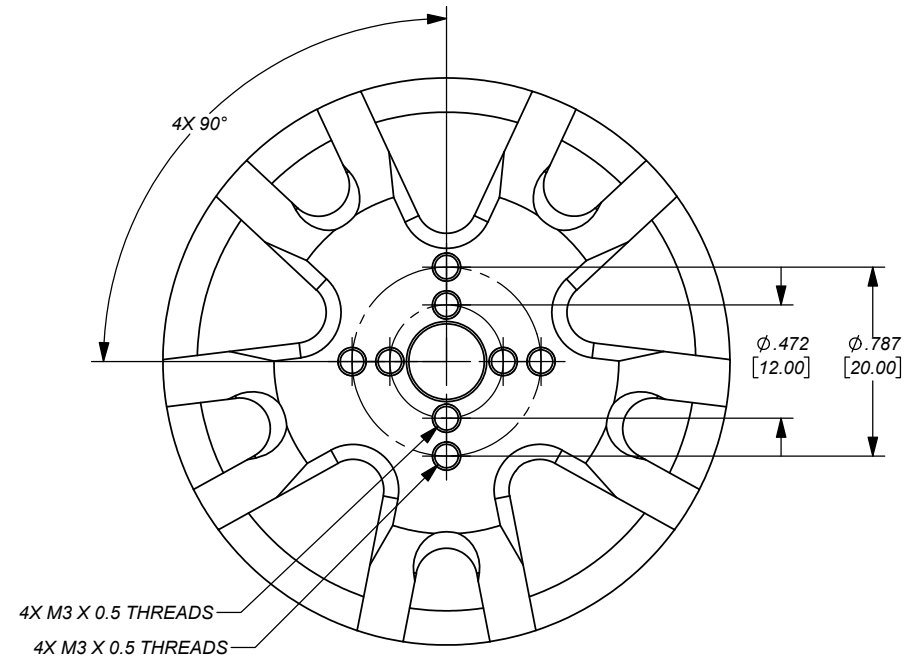
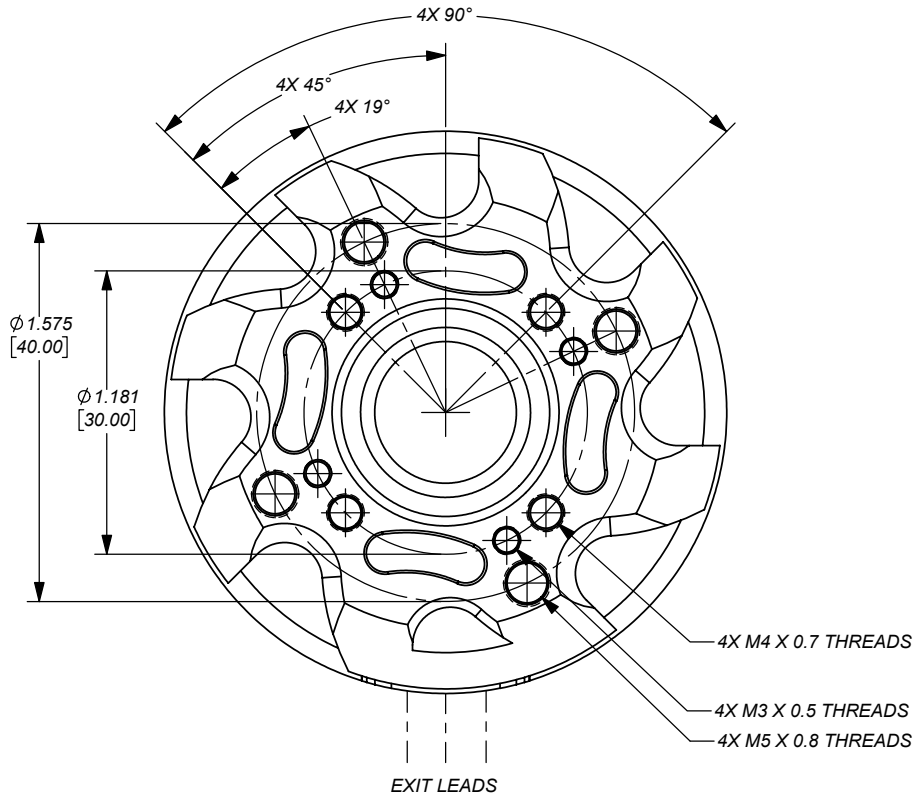
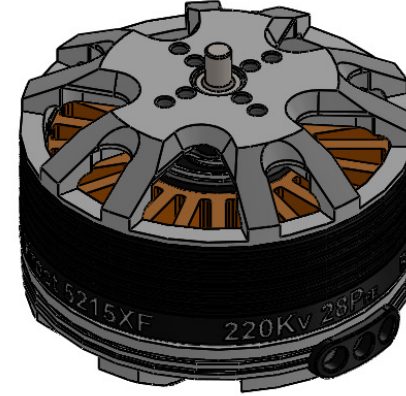
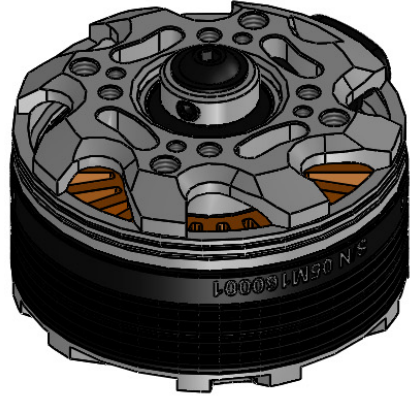


KDE DIRECT 52XX SERIES MOUNT SCHEMATIC V2

KDE5215XF-220 (HE)

KDE5215XF-330

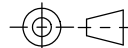
KDE5215XF-435



UNLESS OTHERWISE SPECIFIED:
1. ALL DIMENSIONS APPLY BEFORE PLATING OR COATING
2. REMOVE ALL BURRS, BREAK SHARP EDGES .020 IN MAX.

IMPERIAL

THIRD ANGLE PROJECTION



TOLERANCES.

X	± 0.040"
XX	± 0.020"
XXX	± 0.010"
XXXX	± 0.005"
ANGULAR	± 1°

DESIGNED	KDE DIRECT
DRAWN	KDE DIRECT
DATE	XX/XX/XXXX

TITLE KDE DIRECT 52XX MOUNT SCHEMATIC V2

SIZE PART NO. KDE52XX SERIES

REV. A

DO NOT SCALE DRAWING

SCALE: 4:1 SHEET 1 OF 1