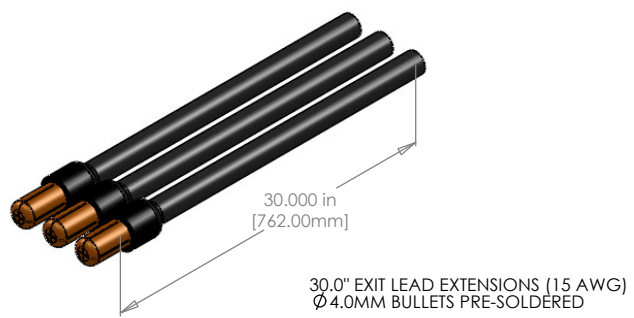
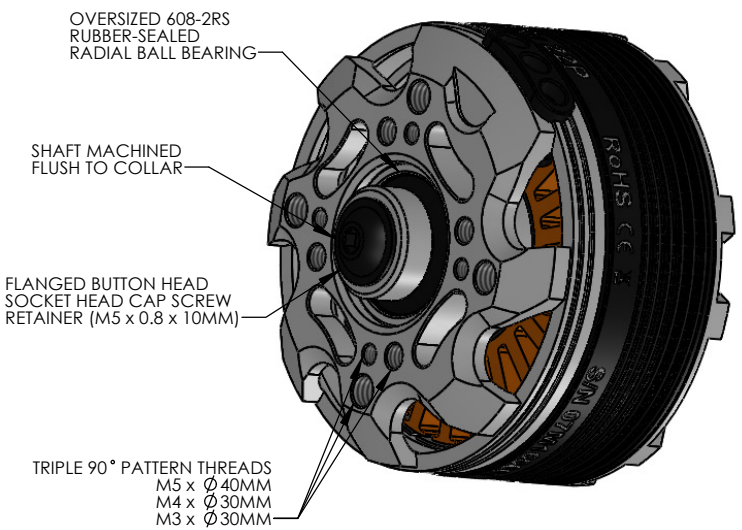
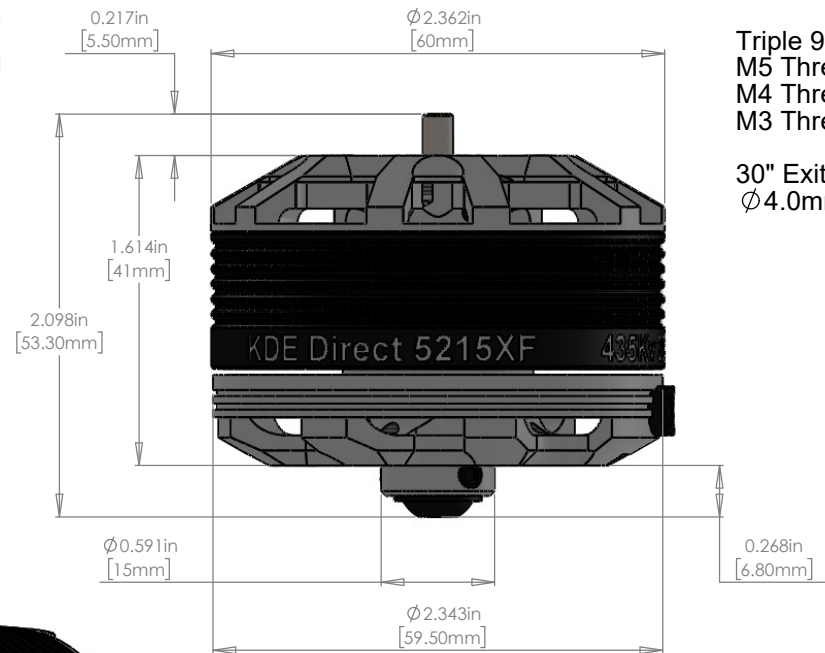
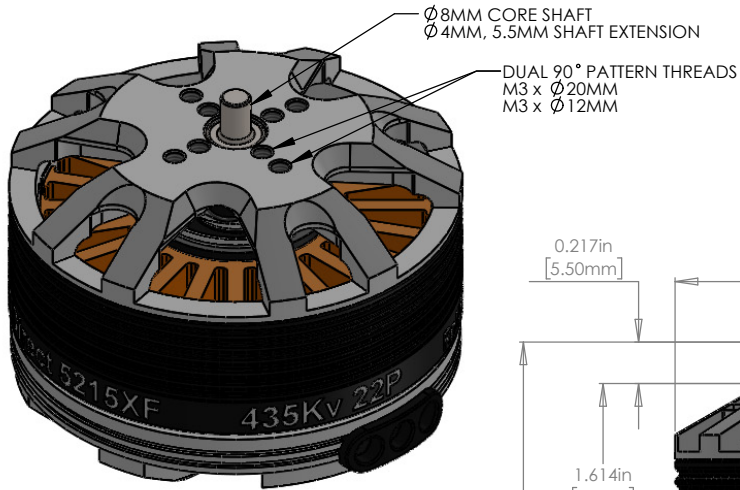


**KDE5215XF-435 KDE DIRECT UAS BRUSHLESS MOTOR  
PRODUCTION RELEASE**



**KDE DIRECT UAS BRUSHLESS MOTOR SPECS.**

$\varnothing$ 8mm Core Shaft  
 $\varnothing$ 4mm, 5.5mm Extended Length  
 - Shaft Flush with Retaining Collar

698-2RS Upper Bearing ( $\varnothing$ 8mm x  $\varnothing$ 19mm x 6mm)  
 - Double Upper Bearings  
 608-2RS Lower Bearing ( $\varnothing$ 8mm x  $\varnothing$ 22mm x 7mm)  
 - All Bearings Dual Rubber-Sealed (2RS)

Dual 90° Pattern Threads:  
 M3 Threads x  $\varnothing$ 20mm Spacing  
 M3 Threads x  $\varnothing$ 12mm Spacing

Triple 90° Pattern Threads:  
 M5 Threads x  $\varnothing$ 40mm Spacing  
 M4 Threads x  $\varnothing$ 30mm Spacing  
 M3 Threads x  $\varnothing$ 30mm Spacing

30" Exit Lead Extensions (15 AWG)  
 $\varnothing$ 4.0mm 24k Bullets, Pre-Soldered and Shrink Wrap

