

**KDE5215XF-330 KDE DIRECT UAS BRUSHLESS MOTOR  
PRODUCTION RELEASE**

**KDE DIRECT UAS BRUSHLESS MOTOR SPECS.**

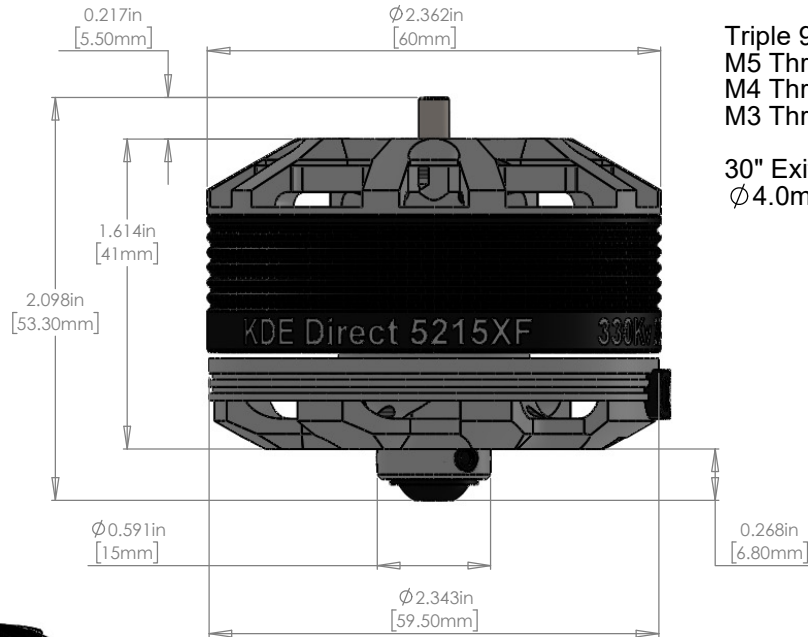
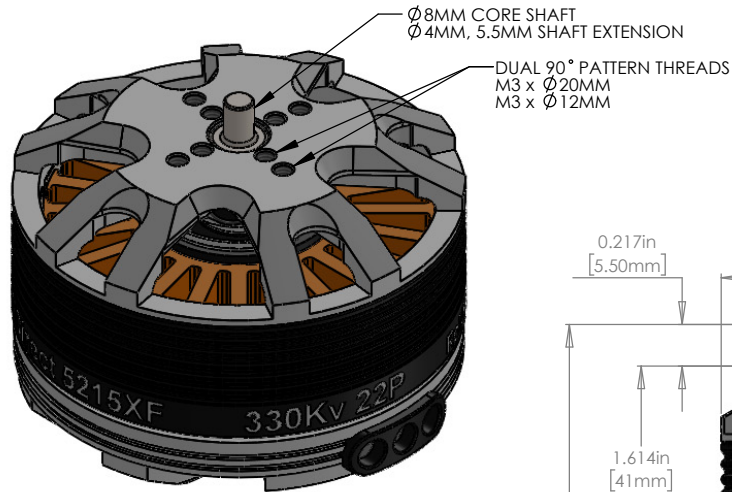
Ø8mm Core Shaft  
 Ø4mm, 5.5mm Extended Length  
 - Shaft Flush with Retaining Collar

698-2RS Upper Bearing (Ø8mm x Ø19mm x 6mm)  
 - Double Upper Bearings  
 608-2RS Lower Bearing (Ø8mm x Ø22mm x 7mm)  
 - All Bearings Dual Rubber-Sealed (2RS)

Dual 90° Pattern Threads:  
 M3 Threads x Ø20mm Spacing  
 M3 Threads x Ø12mm Spacing

Triple 90° Pattern Threads:  
 M5 Threads x Ø40mm Spacing  
 M4 Threads x Ø30mm Spacing  
 M3 Threads x Ø30mm Spacing

30" Exit Lead Extensions (15 AWG)  
 Ø4.0mm 24k Bullets, Pre-Soldered and Shrink Wrap

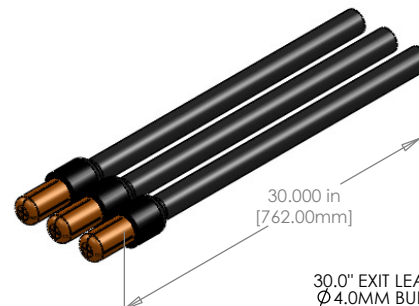
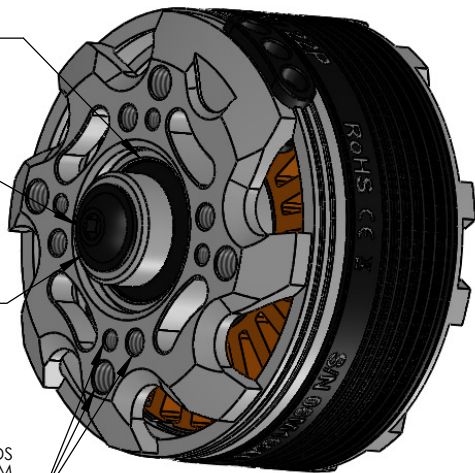


OVERSIZED 608-2RS RUBBER-SEALED RADIAL BALL BEARING

SHAFT MACHINED FLUSH TO COLLAR

FLANGED BUTTON HEAD SOCKET HEAD CAP SCREW RETAINER (M5 x 0.8 x 10MM)

TRIPLE 90° PATTERN THREADS  
 M5 x Ø40MM  
 M4 x Ø30MM  
 M3 x Ø30MM



30.0" EXIT LEAD EXTENSIONS (15 AWG)  
 Ø4.0MM BULLETS PRE-SOLDERED



www.KDEdirect.com

www.KDEdirect.com  
**KDE5215XF-330**