

**KDE5215XF-220 (HE) KDE DIRECT UAS BRUSHLESS MOTOR  
PRODUCTION RELEASE**

**KDE DIRECT UAS BRUSHLESS MOTOR SPECS.**

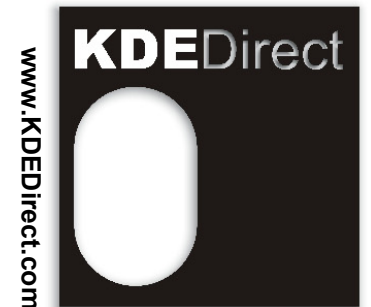
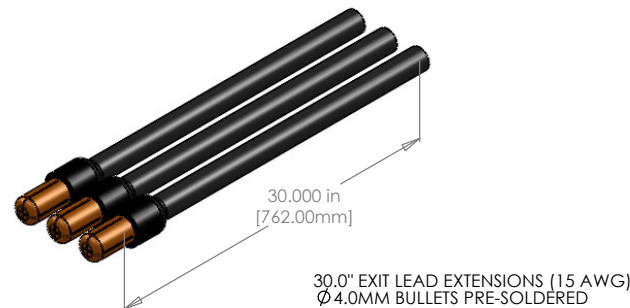
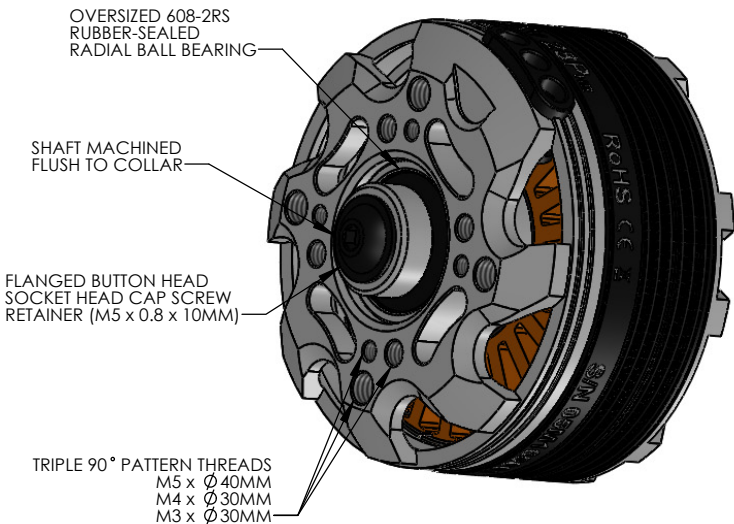
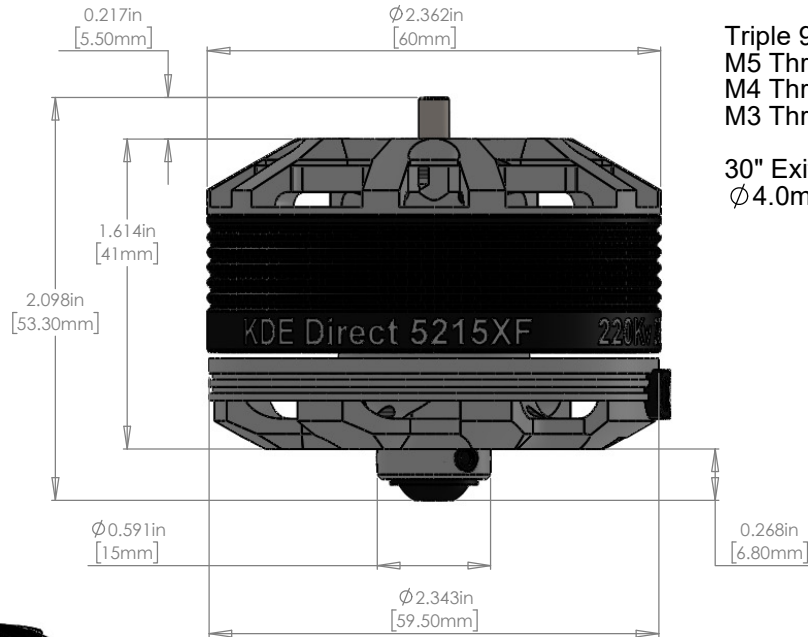
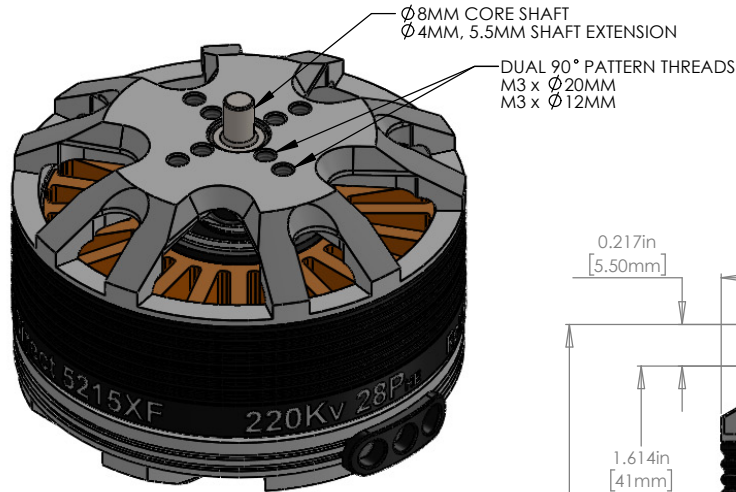
Ø8mm Core Shaft  
Ø4mm, 5.5mm Shaft Extension  
- Shaft Flush with Retaining Collar

698-2RS Upper Bearing (Ø8mm x Ø19mm x 6mm)  
- Double Upper Bearings  
608-2RS Lower Bearing (Ø8mm x Ø22mm x 7mm)  
- All Bearings Dual Rubber-Sealed (2RS)

Dual 90° Pattern Threads:  
M3 Threads x Ø20mm Spacing  
M3 Threads x Ø12mm Spacing

Triple 90° Pattern Threads:  
M5 Threads x Ø40mm Spacing  
M4 Threads x Ø30mm Spacing  
M3 Threads x Ø30mm Spacing

30" Exit Lead Extensions (15 AWG)  
Ø4.0mm 24k Bullets, Pre-Soldered and Shrink Wrap



**www.KDEDirect.com  
KDE5215XF-220**