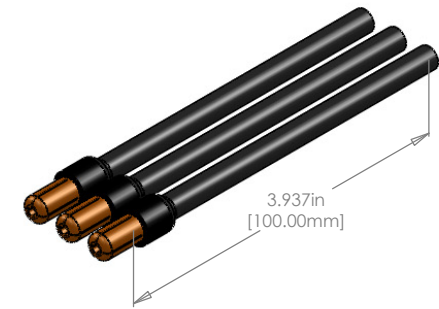
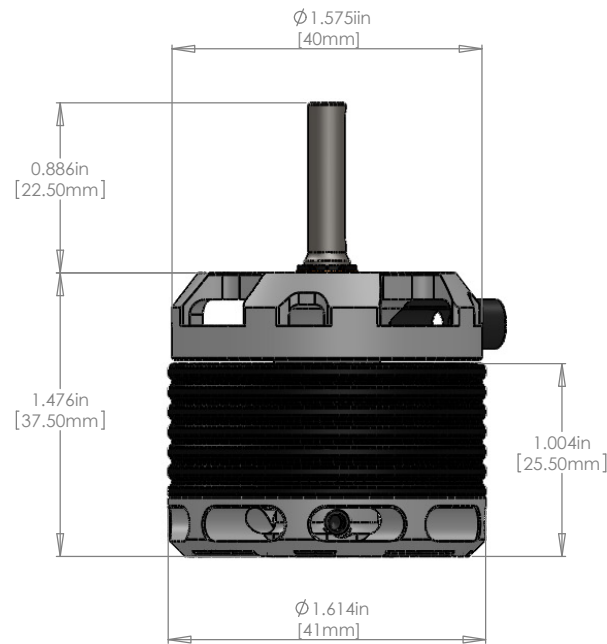
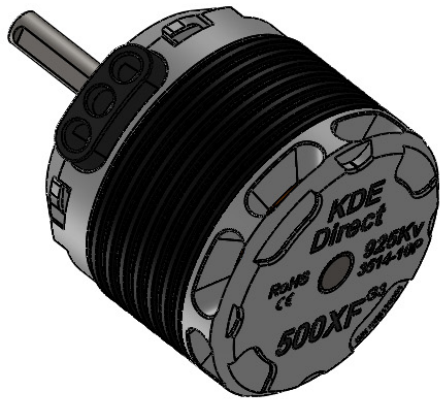
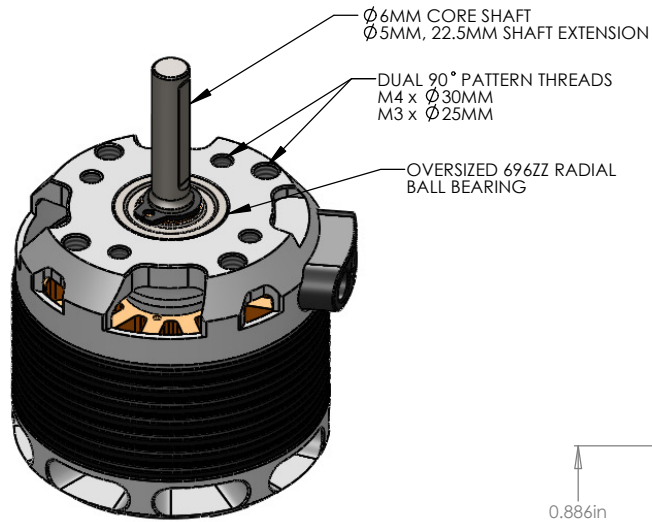


**KDE500XF-925 KDE DIRECT XF BRUSHLESS MOTOR, GEN3  
PRODUCTION RELEASE**



100.0MM EXIT LEAD EXTENSIONS (13 AWG)  
 $\varnothing$ 4.0MM MALE BULLETS PRE-SOLDERED

**KDE DIRECT XF BRUSHLESS MOTOR SPECS.**

$\varnothing$ 6mm Core Shaft  
 $\varnothing$ 5mm, 22.5mm Extended Length  
 - Shaft Flush with Centrifugal Fan Surface

696ZZ Upper Bearing ( $\varnothing$ 6mm x  $\varnothing$ 15mm x 5mm)  
 MR106ZZ Lower Bearings ( $\varnothing$ 6mm x  $\varnothing$ 10mm x 3mm)  
 - Triple Lower Bearings

Dual 90° Pattern Threads:  
 M4 Threads x  $\varnothing$ 30mm Spacing  
 M3 Threads x  $\varnothing$ 25mm Spacing

100mm Exit Lead Extensions (13 AWG)  
 $\varnothing$ 4.0mm 24K Bullets, Pre-Soldered and Shrink Wrap



[www.KDEDirect.com](http://www.KDEDirect.com)  
**KDE500XF-925-G3**