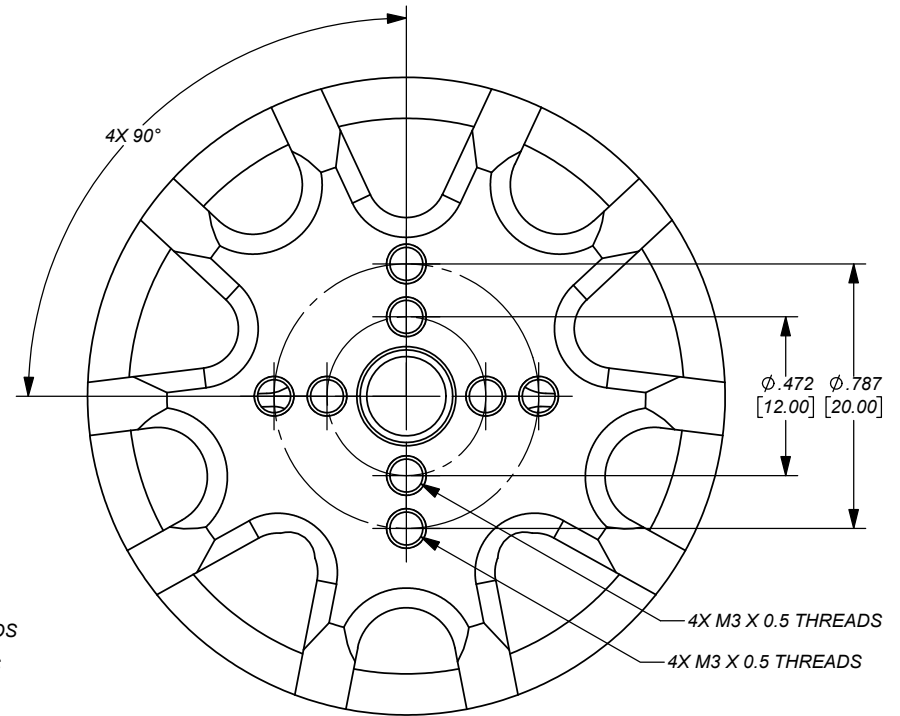
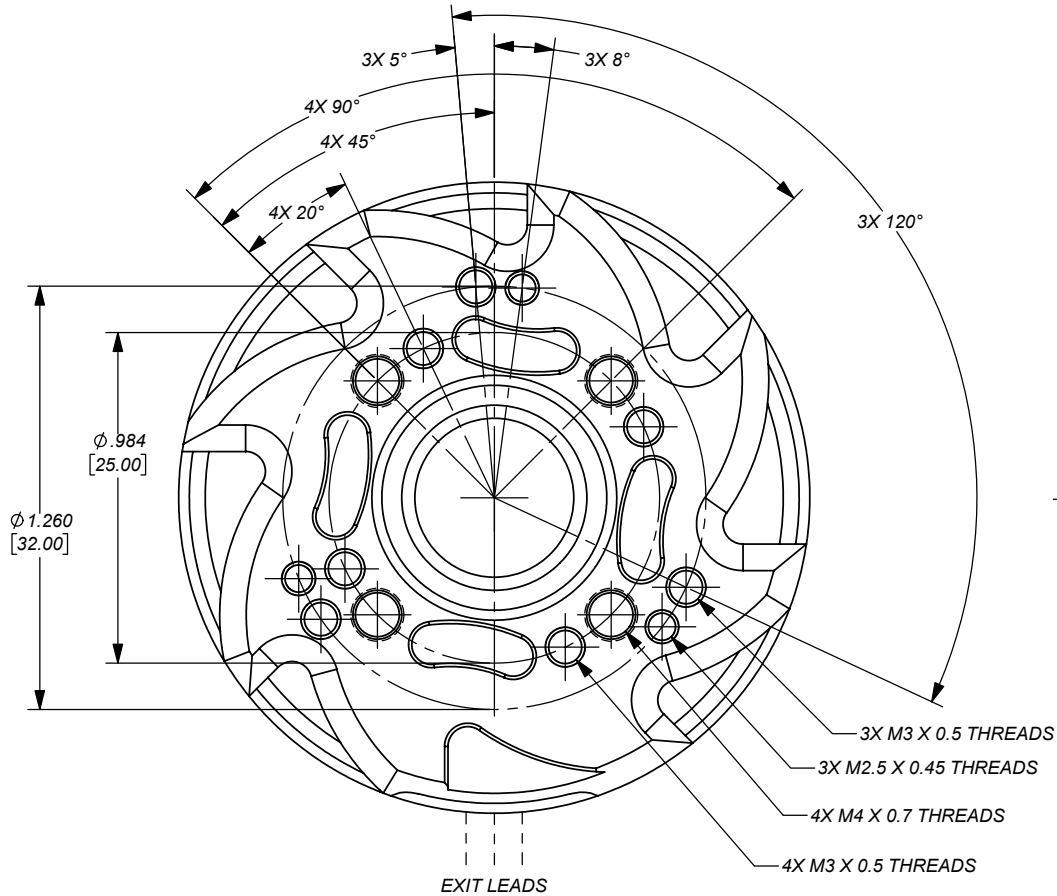
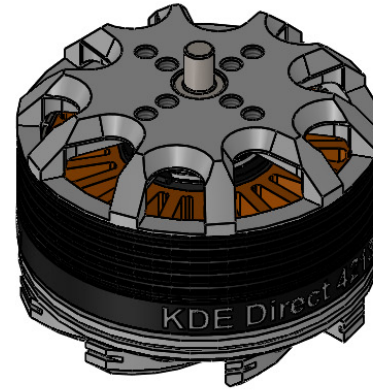
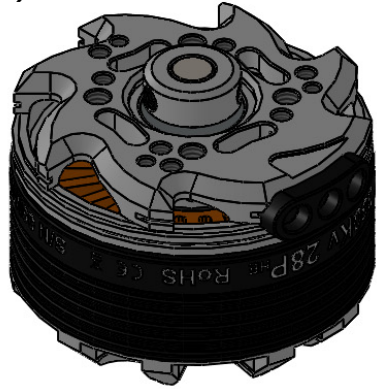


# KDE DIRECT 42XX SERIES MOUNT SCHEMATIC V2

KDE4215XF-465

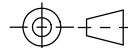
KDE4213XF-360 (HE)



UNLESS OTHERWISE SPECIFIED:  
 1. ALL DIMENSIONS APPLY BEFORE PLATING OR COATING.  
 2. REMOVE ALL BURRS, BREAK SHARP EDGES .020 IN MAX.

**IMPERIAL**

THIRD ANGLE PROJECTION



TOLERANCES:  
 X .± 0.040°  
 XX ± 0.020°  
 XXX ± 0.010°  
 XXXX ± 0.005°  
 ANGULAR ± 1°

DESIGNED	KDE DIRECT
DRAWN	KDE DIRECT
DATE	XX/XX/XXXX

TITLE KDE DIRECT 42XX MOUNT SCHEMATIC V2

SIZE PART NO. **KDE42XX SERIES**

REV. **A**

DO NOT SCALE DRAWING

SCALE: 4:1 SHEET 1 OF 1