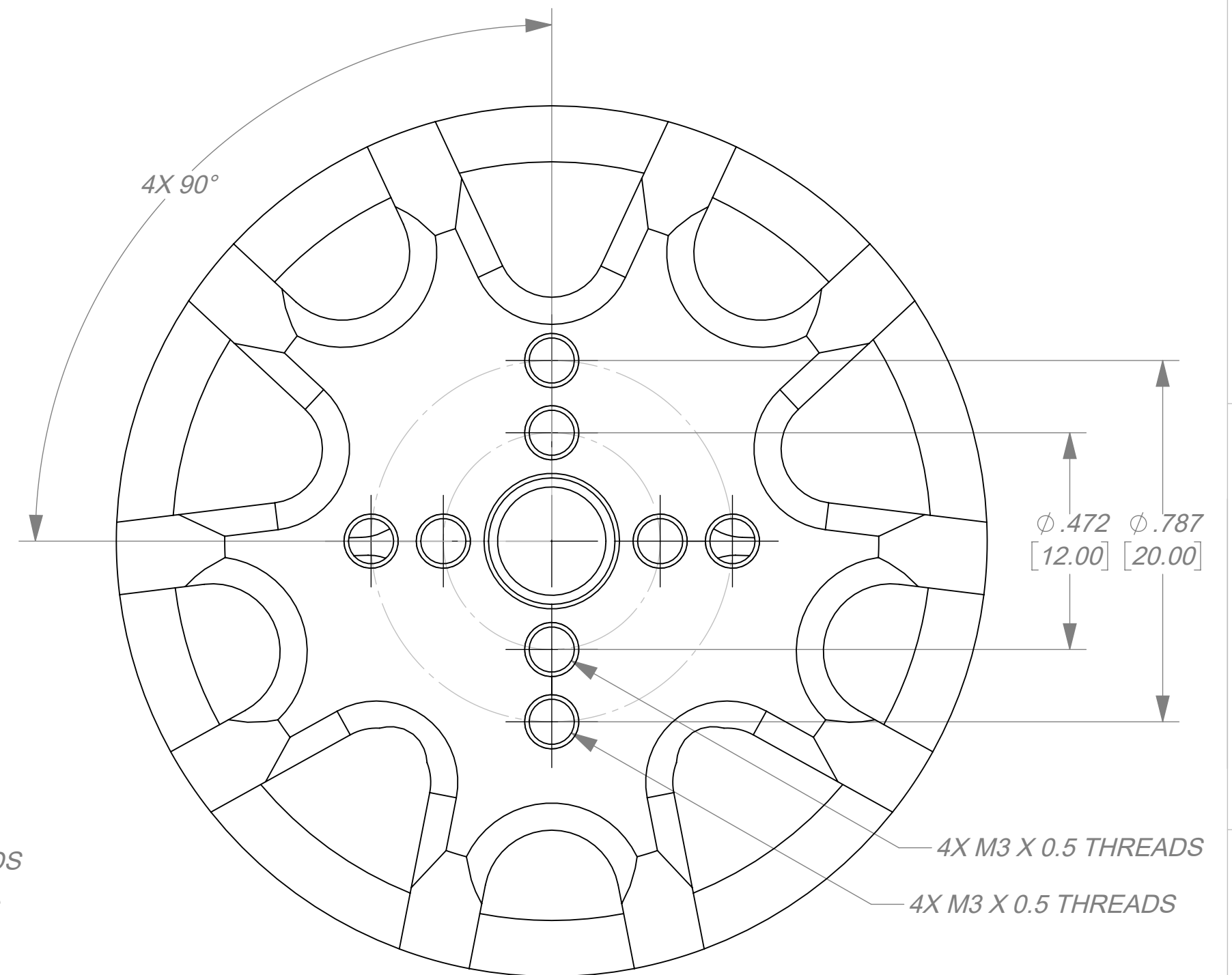
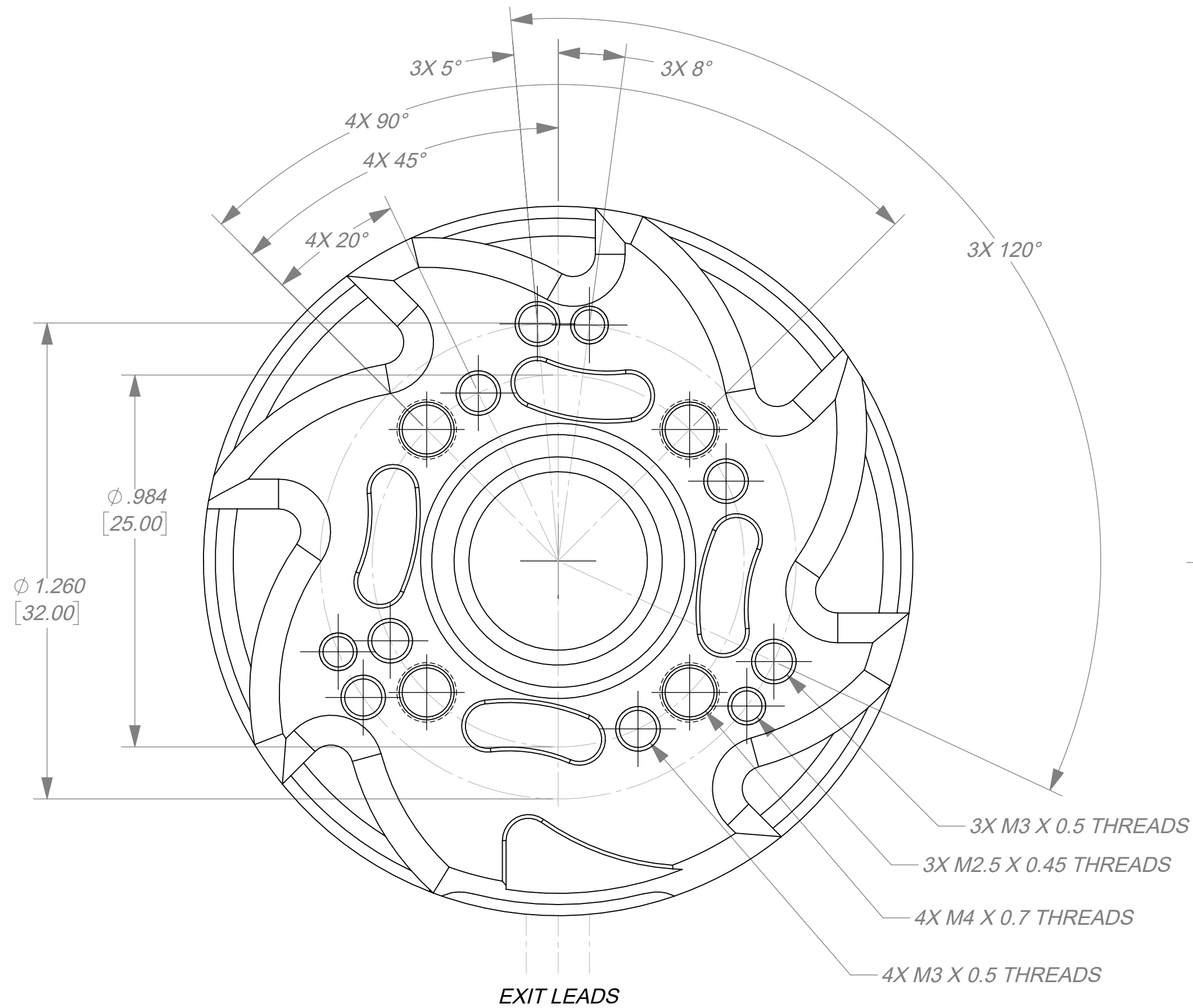
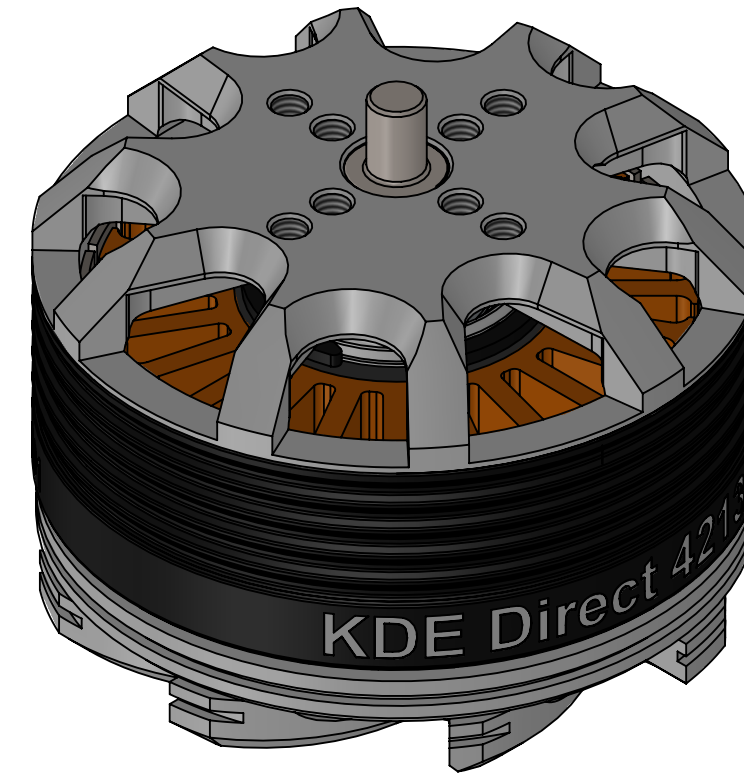
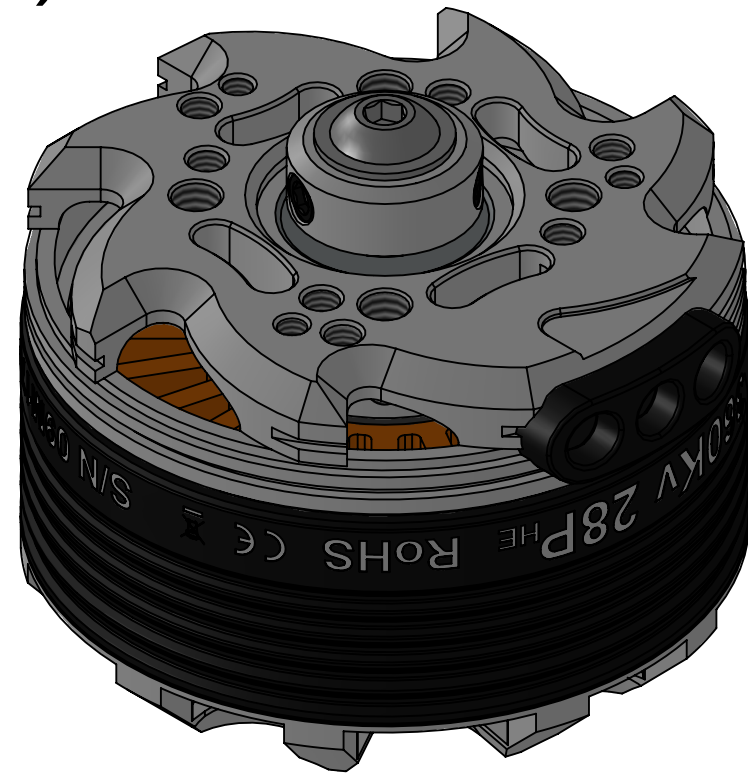


# KDE DIRECT 42XX SERIES MOUNT SCHEMATIC V2

KDE4215XF-465

KDE4213XF-360 (HE)



UNLESS OTHERWISE SPECIFIED:  
 1. ALL DIMENSIONS APPLY BEFORE PLATING OR COATING.  
 2. REMOVE ALL BURRS, BREAK SHARP EDGES .020 IN MAX.

**IMPERIAL** THIRD ANGLE PROJECTION

TOLERANCES: X. ± 0.040"  
 X.X ± 0.020"  
 X.XX ± 0.010"  
 X.XXX ± 0.005"  
 ANGULAR ± 1°

DESIGNED KDE DIRECT  
 DRAWN KDE DIRECT  
 DATE XX/XX/XXXX

TITLE: KDE DIRECT 42XX MOUNT SCHEMATIC V2

SIZE PART NO. **C** KDE42XX SERIES

REV. **B**

DO NOT SCALE DRAWING

SCALE: 4:1 SHEET 1 OF 1