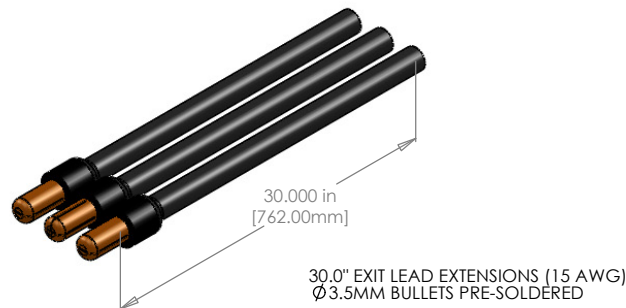
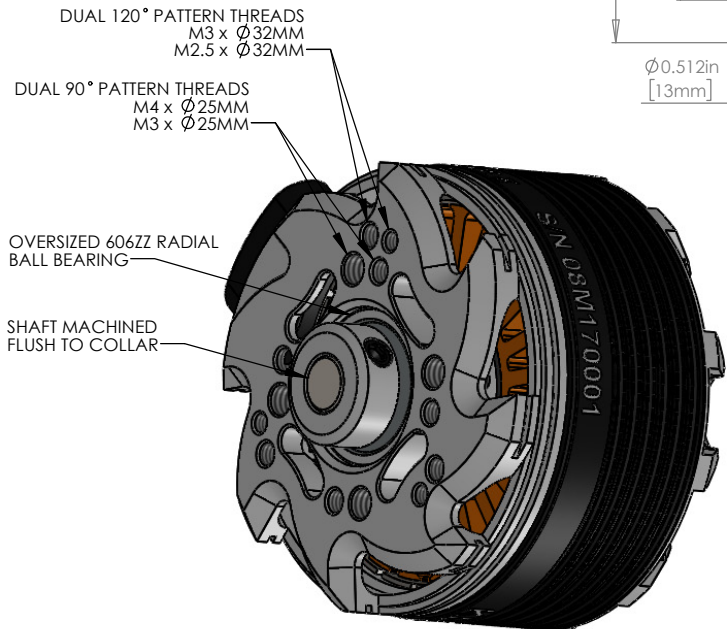
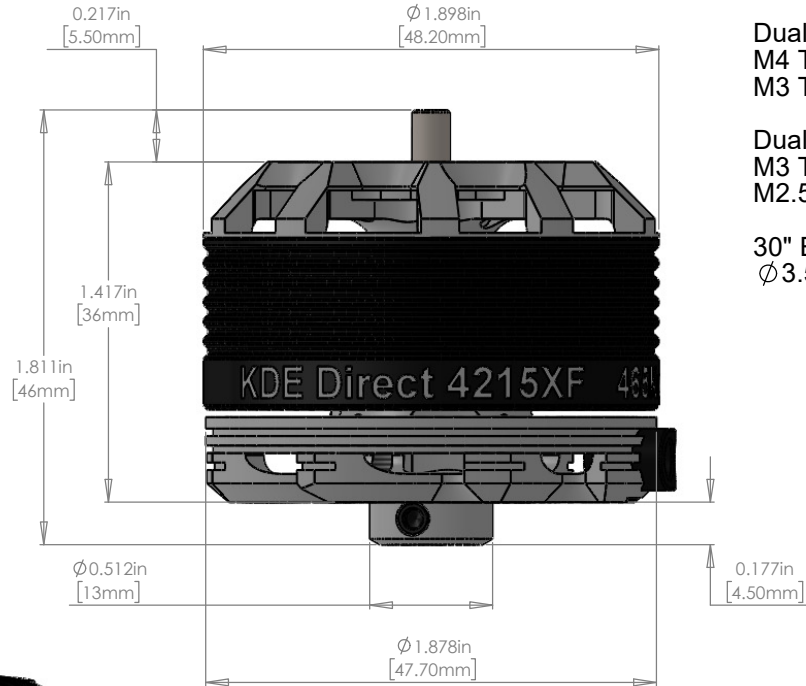
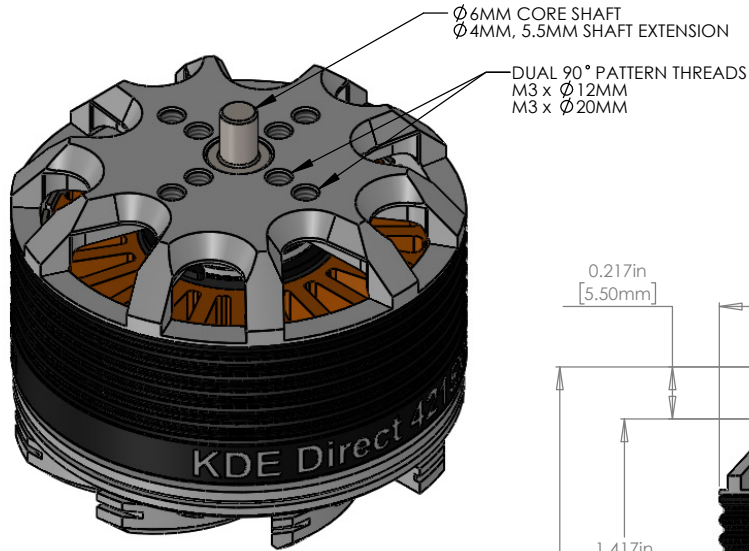


**KDE4215XF-465 KDE DIRECT UAS BRUSHLESS MOTOR
PRODUCTION RELEASE**



KDE DIRECT UAS BRUSHLESS MOTOR SPECS.

ϕ 6mm Core Shaft
 ϕ 4mm, 5.5mm Extended Length
 - Shaft Flush with Retaining Collar

696ZZ Upper Bearing (ϕ 6mm x ϕ 15mm x 5mm)
 - Double Upper Bearings
 606ZZ Lower Bearing (ϕ 6mm x ϕ 17mm x 6mm)

Dual 90° Pattern Threads:
 M3 Threads x ϕ 20mm Spacing
 M3 Threads x ϕ 12mm Spacing

Dual 90° Pattern Threads:
 M4 Threads x ϕ 25mm Spacing
 M3 Threads x ϕ 25mm Spacing

Dual 120° Pattern Threads:
 M3 Threads x ϕ 32mm Spacing
 M2.5 Threads x ϕ 32mm Spacing

30" Exit Lead Extensions (15 AWG)
 ϕ 3.5mm 24k Bullets, Pre-Soldered and Shrink Wrap

