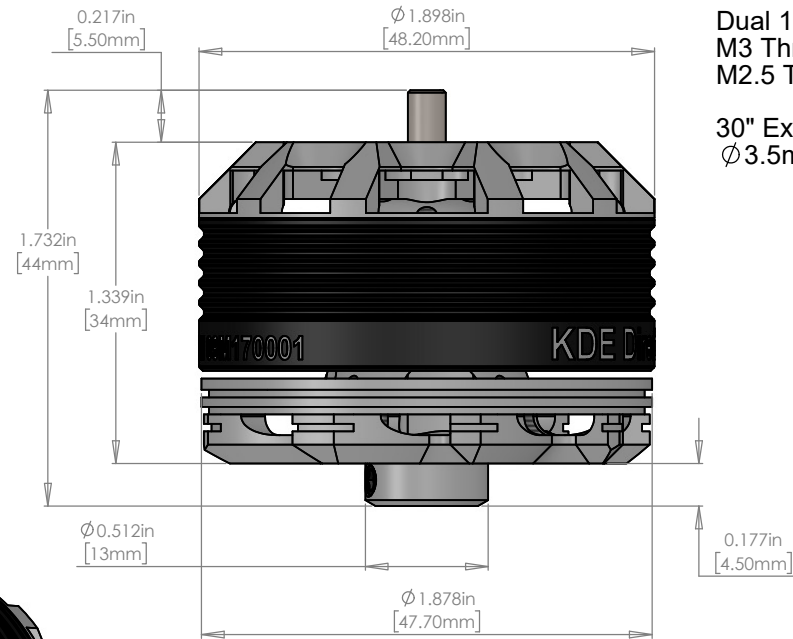
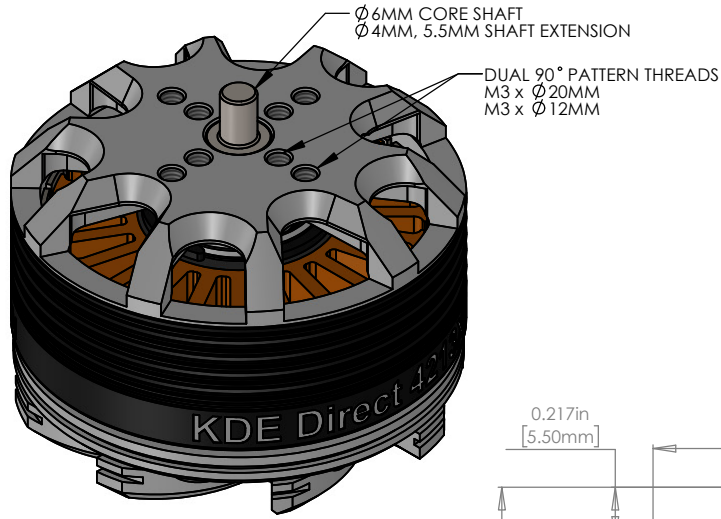


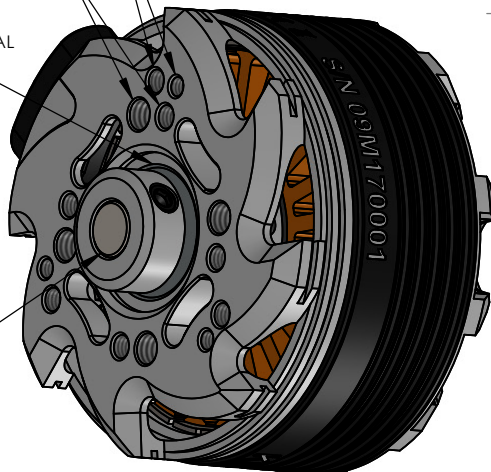
**KDE4213XF-360 (HE) KDE DIRECT UAS BRUSHLESS MOTOR
PRODUCTION RELEASE**



DUAL 120° PATTERN THREADS
 M3 x \varnothing 32MM
 M2.5 x \varnothing 32MM
 DUAL 90° PATTERN THREADS
 M4 x \varnothing 25MM
 M3 x \varnothing 25MM

OVERSIZED 606ZZ RADIAL BALL BEARING

SHAFT MACHINED FLUSH TO COLLAR



30.0" EXIT LEAD EXTENSIONS (15 AWG)
 \varnothing 3.5MM BULLETS PRE-SOLDERED

KDE DIRECT UAS BRUSHLESS MOTOR SPECS.

\varnothing 6mm Core Shaft
 \varnothing 4mm, 5.5mm Extended Length
 - Shaft Flush with Retaining Collar

696ZZ Upper Bearing (\varnothing 6mm x \varnothing 15mm x 5mm)
 - Double Upper Bearings
 606ZZ Lower Bearing (\varnothing 6mm x \varnothing 17mm x 6mm)

Dual 90° Pattern Threads:
 M3 Threads x \varnothing 20mm Spacing
 M3 Threads x \varnothing 12mm Spacing

Dual 90° Pattern Threads:
 M4 Threads x \varnothing 25mm Spacing
 M3 Threads x \varnothing 25mm Spacing

Dual 120° Pattern Threads:
 M3 Threads x \varnothing 32mm Spacing
 M2.5 Threads x \varnothing 32mm Spacing

30" Exit Lead Extensions (15 AWG)
 \varnothing 3.5mm 24k Bullets, Pre-Soldered and Shrink Wrap



www.KDEDirect.com
KDE4213XF-360