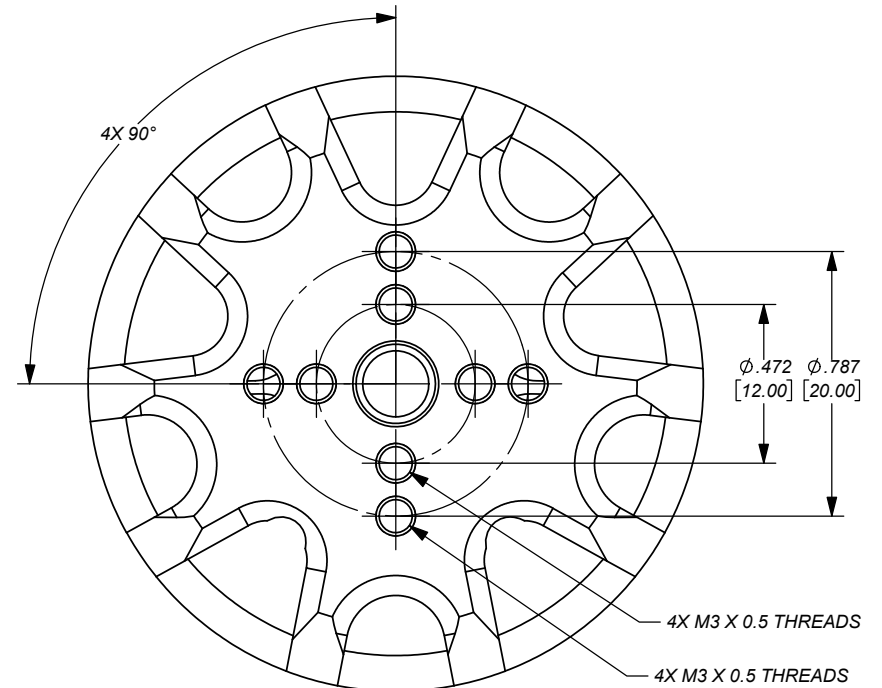
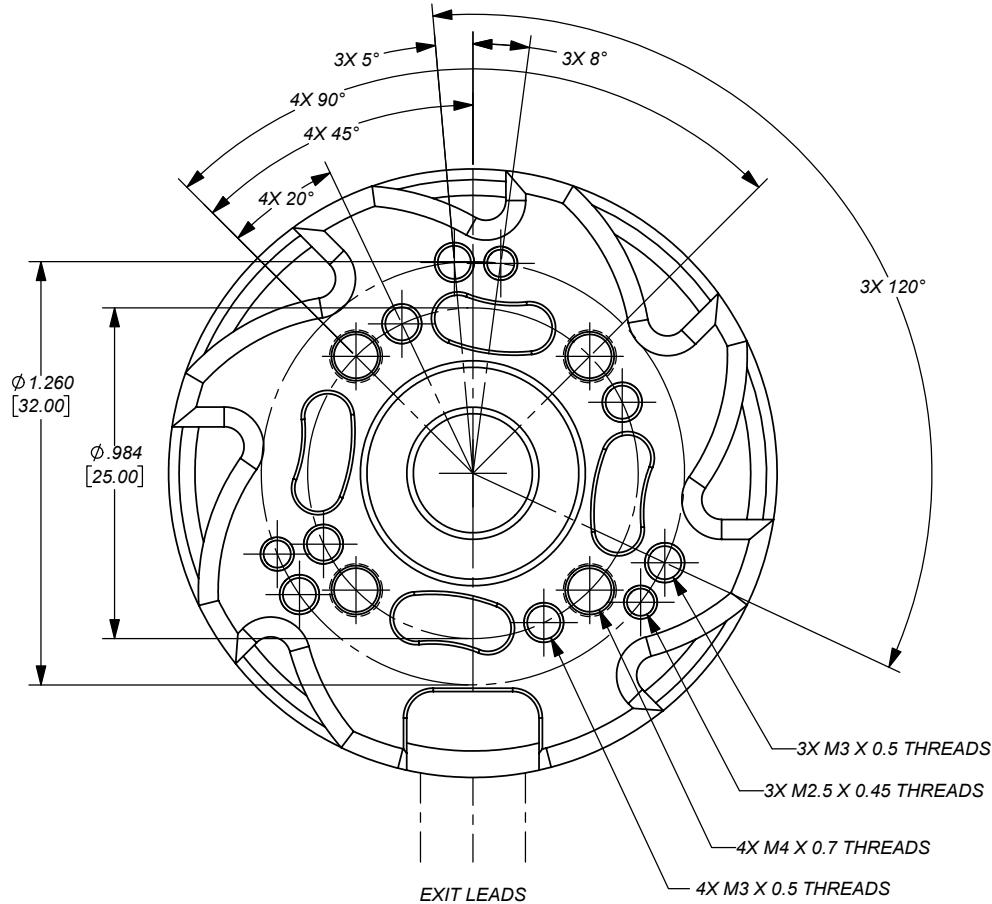
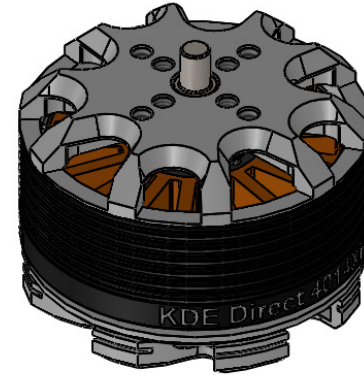
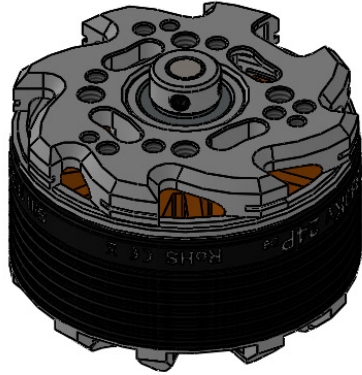


# KDE DIRECT 40XX SERIES MOUNT SCHEMATIC V2

KDE4014XF-380 (D5)

KDE4012XF-400 (D5)



UNLESS OTHERWISE SPECIFIED:  
 1. ALL DIMENSIONS APPLY BEFORE PLATING OR COATING  
 2. REMOVE ALL BURRS, BREAK SHARP EDGES .020 IN MAX.



TOLERANCES:  
 X . ± 0.040"  
 XX ± 0.020"  
 XXX ± 0.010"  
 XXXX ± 0.005"  
 ANGULAR ± 1°

DESIGNED	KDE DIRECT
DRAWN	KDE DIRECT
DATE	XX/XX/XXXX

TITLE KDE DIRECT 40XX MOUNT SCHEMATIC V2

SIZE PART NO. KDE40XX SERIES

REV. A

DO NOT SCALE DRAWING