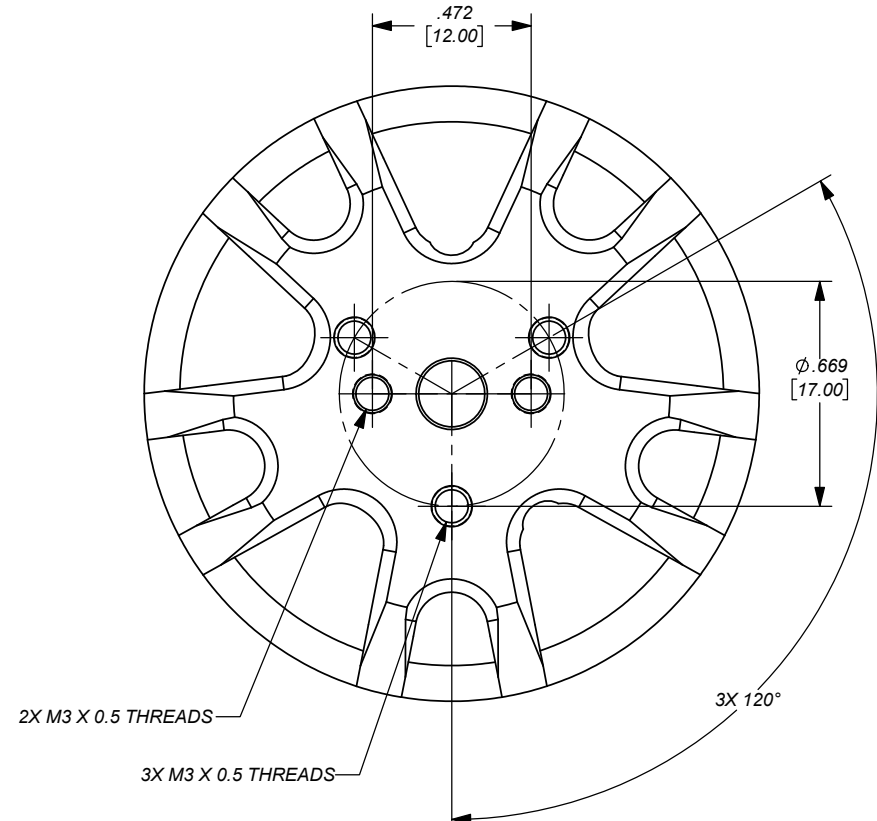
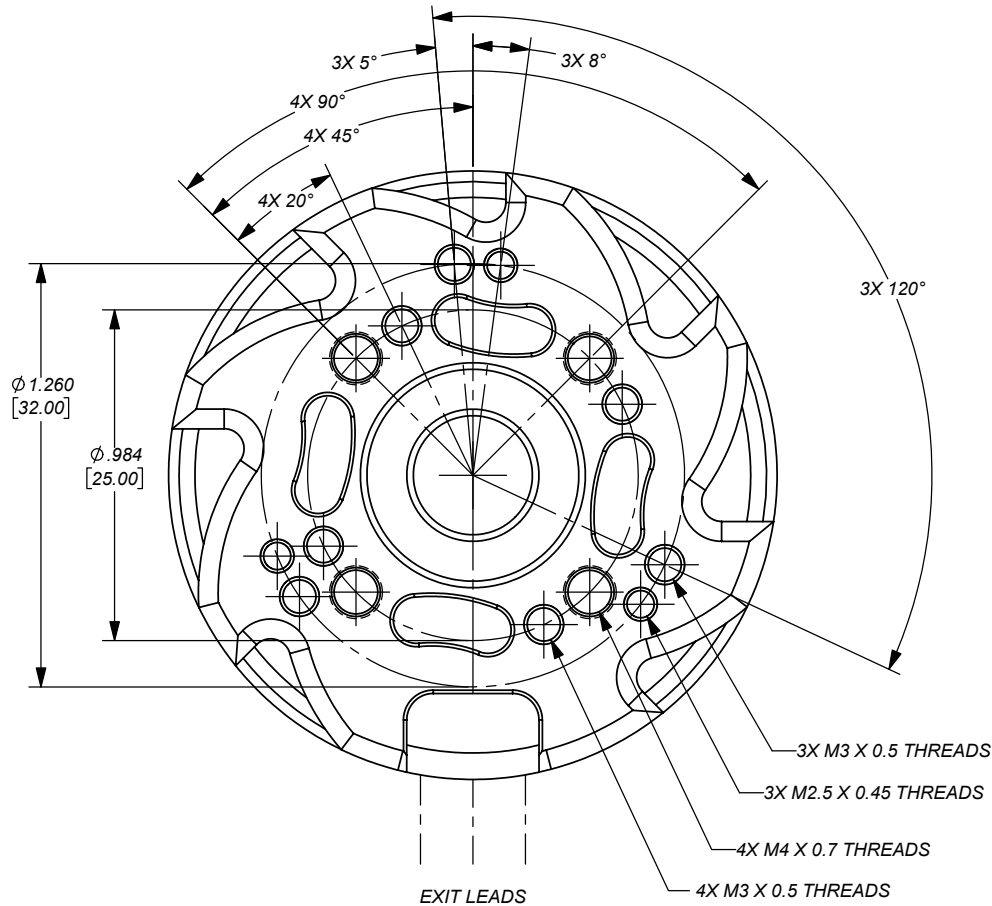
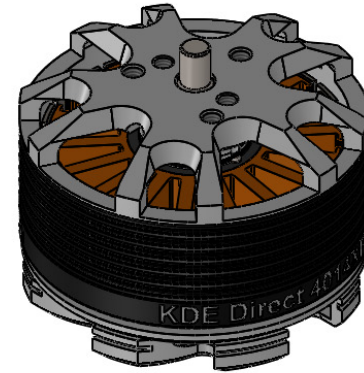
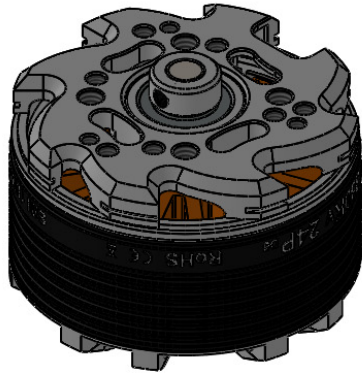


# KDE DIRECT 40XX SERIES MOUNT SCHEMATIC

KDE4012XF-400 (D5)

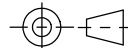
KDE4014XF-380 (D5)



UNLESS OTHERWISE SPECIFIED:  
 1. ALL DIMENSIONS APPLY BEFORE PLATING OR COATING  
 2. REMOVE ALL BURRS, BREAK SHARP EDGES .020 IN MAX.

**IMPERIAL**

THIRD ANGLE PROJECTION



TOLERANCES.  
 X .X ± 0.040°  
 X.X ± 0.020°  
 X.XX ± 0.010°  
 X.XXX ± 0.005°  
 ANGULAR ± 1°

DESIGNED	KDE DIRECT
DRAWN	KDE DIRECT
DATE	XX/XX/XXXX

TITLE KDE DIRECT 40XX MOUNT SCHEMATIC

SIZE PART NO. KDE40XX SERIES

REV. **A**

DO NOT SCALE DRAWING

SCALE: 4:1 SHEET 1 OF 1