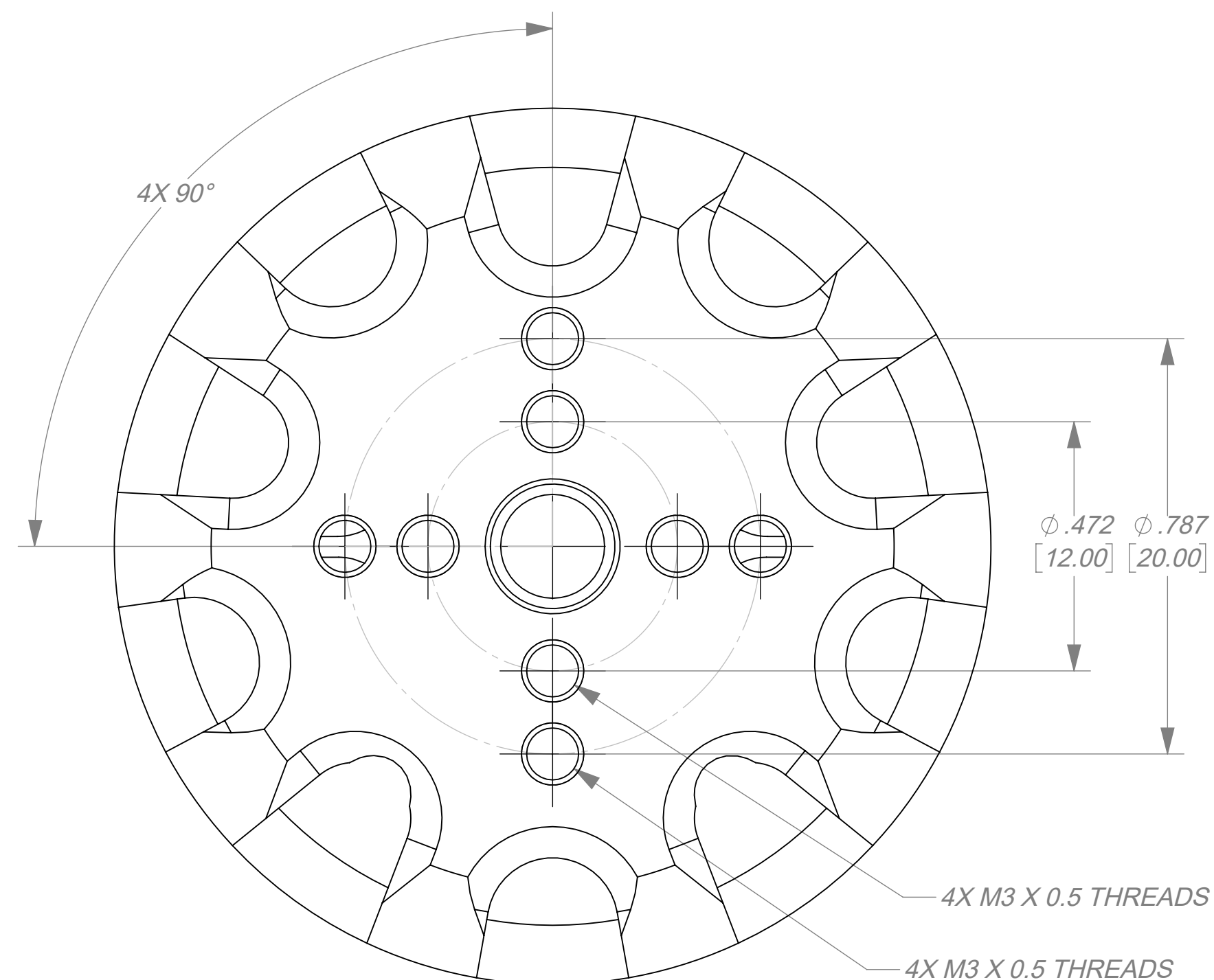
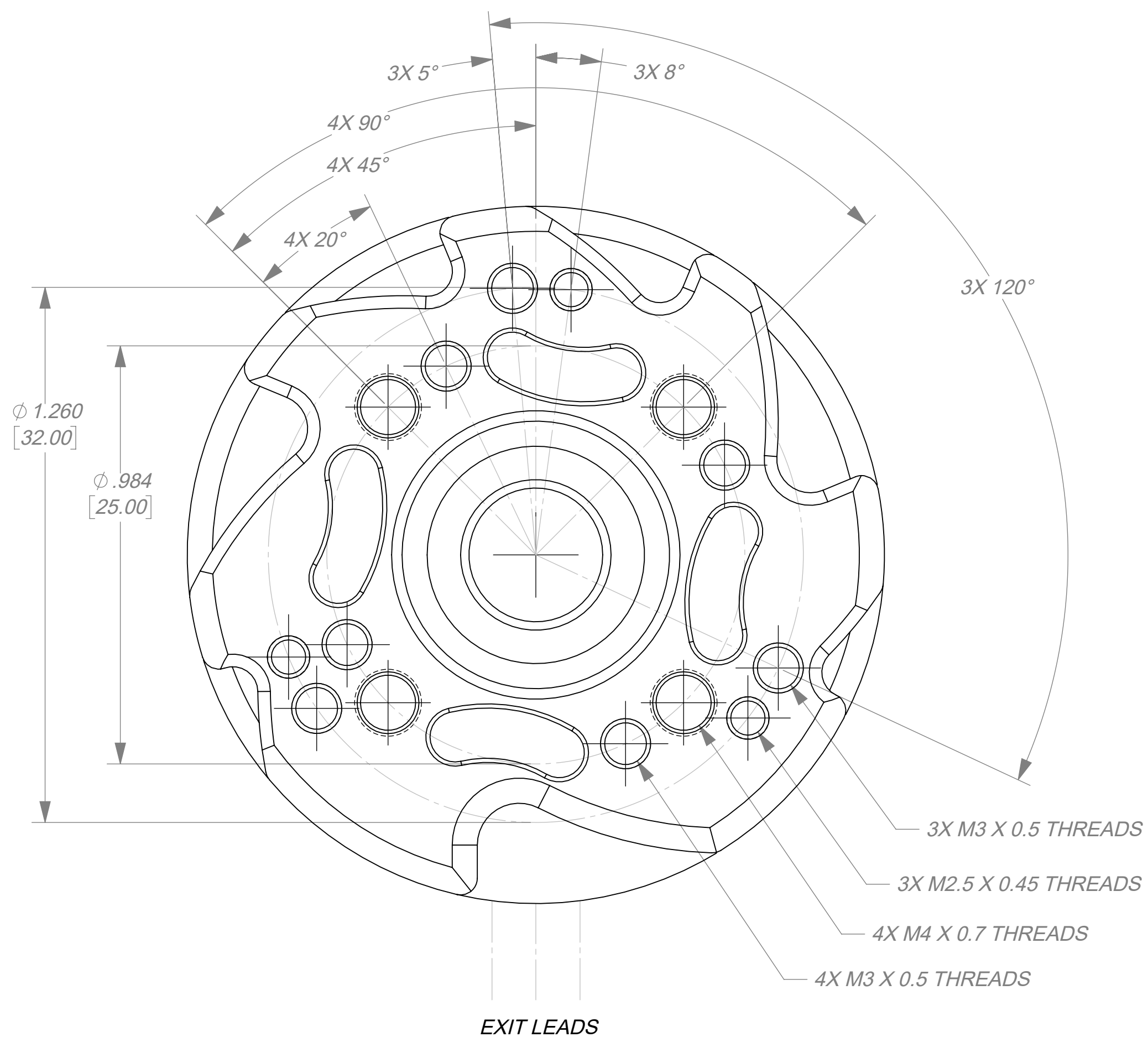
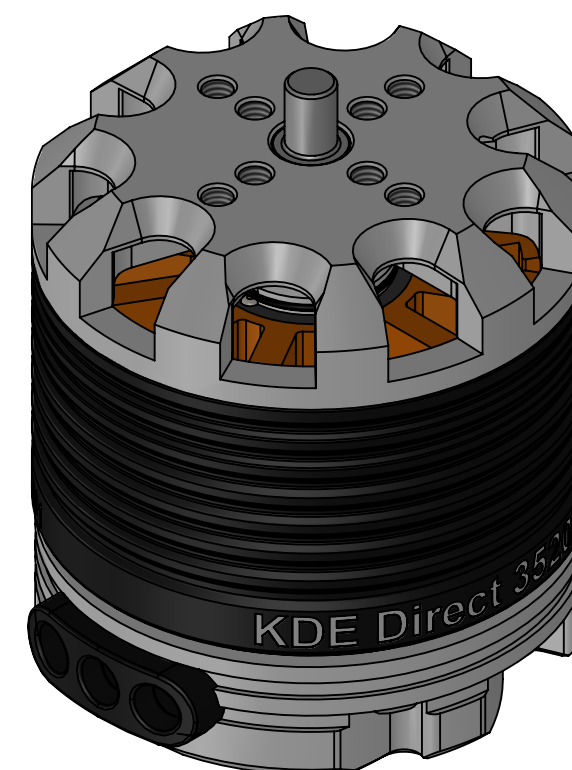
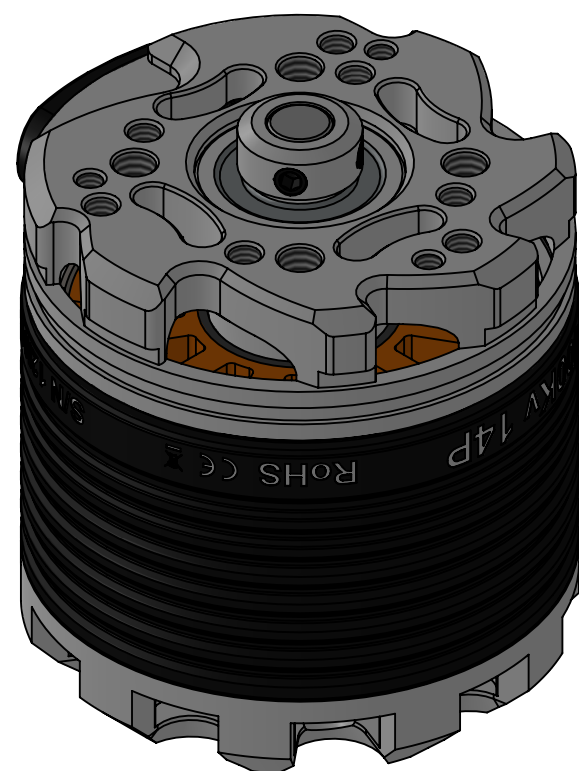


KDE DIRECT 35XX SERIES MOUNT SCHEMATIC V2
KDE3520XF-400



UNLESS OTHERWISE SPECIFIED:
 1. ALL DIMENSIONS APPLY BEFORE PLATING OR COATING.
 2. REMOVE ALL BURRS, BREAK SHARP EDGES .020 IN MAX.

IMPERIAL THIRD ANGLE PROJECTION

TOLERANCES:
 X. ± 0.040"
 X.X ± 0.020"
 X.XX ± 0.010"
 X.XXX ± 0.005"
 ANGULAR ± 1°

DESIGNED KDE DIRECT
 DRAWN KDE DIRECT
 DATE XX/XX/XXXX

TITLE: KDE DIRECT 35XX MOUNT SCHEMATIC V2

SIZE PART NO. KDE35XX SERIES

REV. **B**

DO NOT SCALE DRAWING

SCALE: 4:1 SHEET 1 OF 1