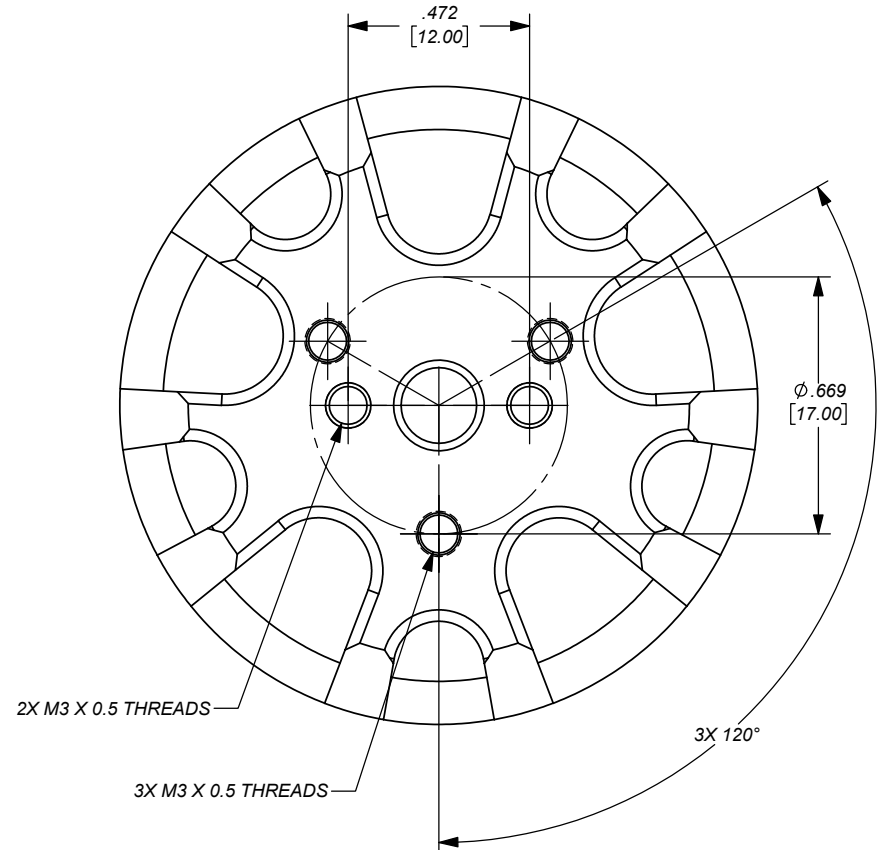
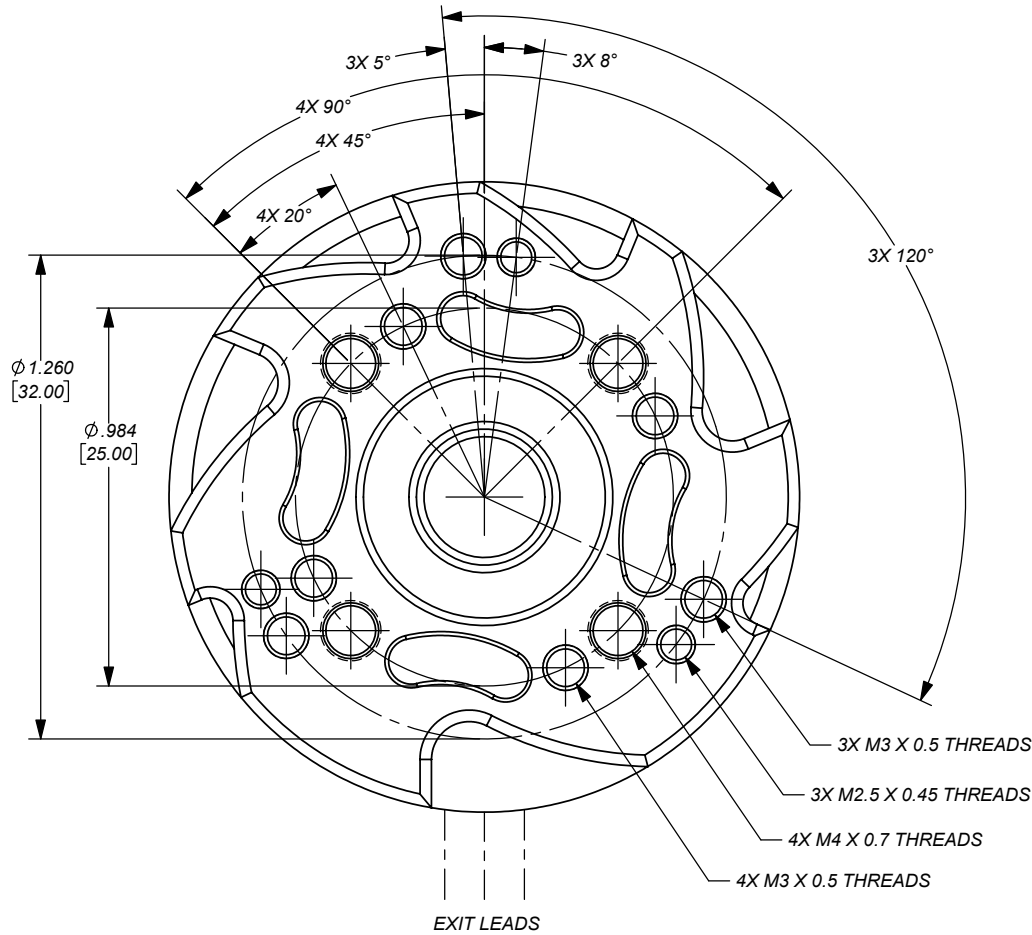
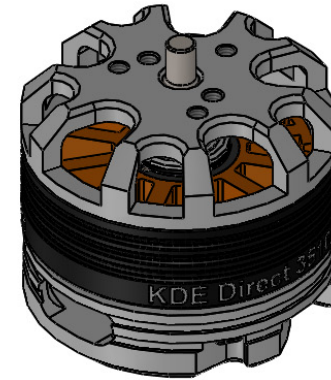
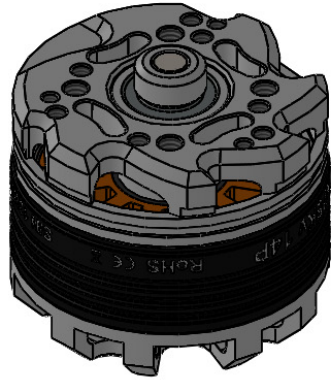


KDE DIRECT 35XX SERIES MOUNT SCHEMATIC

KDE3520XF-400

KDE3510XF-475

KDE3510XF-715



UNLESS OTHERWISE SPECIFIED:
 1. ALL DIMENSIONS APPLY BEFORE PLATING OR COATING.
 2. REMOVE ALL BURRS, BREAK SHARP EDGES .020 IN MAX.



TOLERANCES:
 X . ± 0.040"
 XX ± 0.020"
 XXX ± 0.010"
 XXXX ± 0.005"
 ANGULAR ± 1°

DESIGNED	KDE DIRECT
DRAWN	KDE DIRECT
DATE	XX/XX/XXXX

TITLE KDE DIRECT 35XX MOUNT SCHEMATIC

SIZE PART NO. KDE35XX SERIES

REV. A

DO NOT SCALE DRAWING