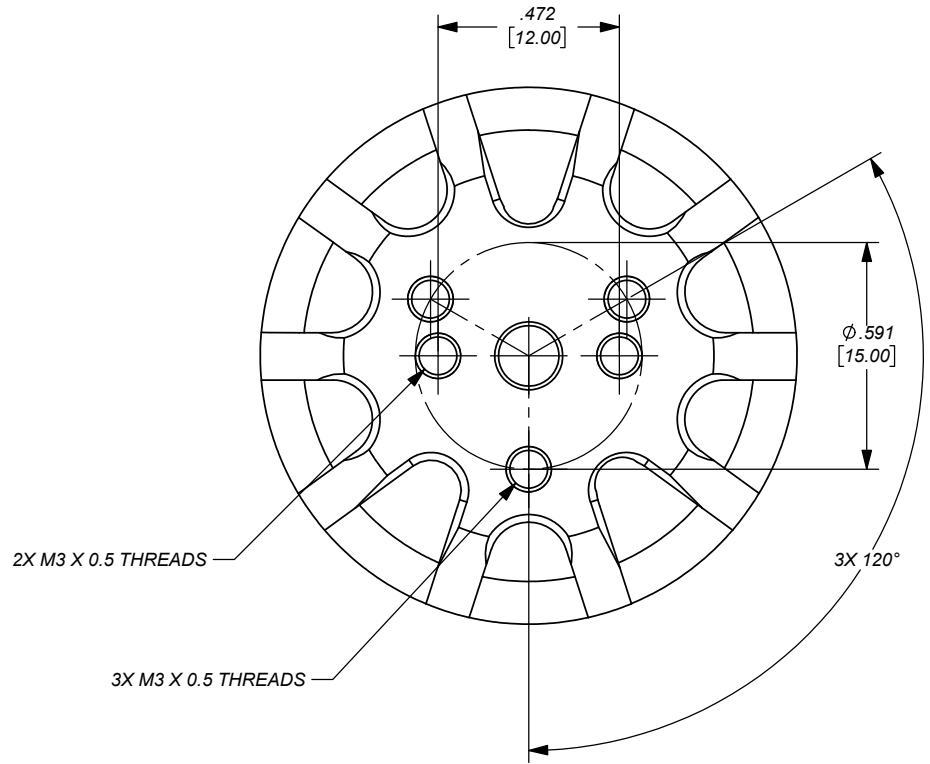
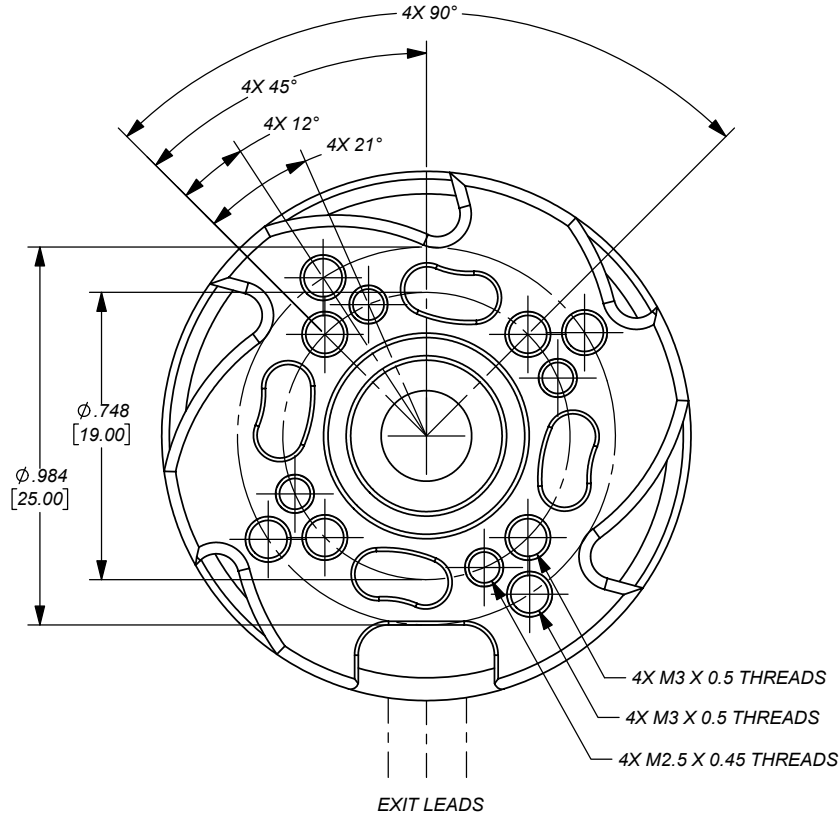
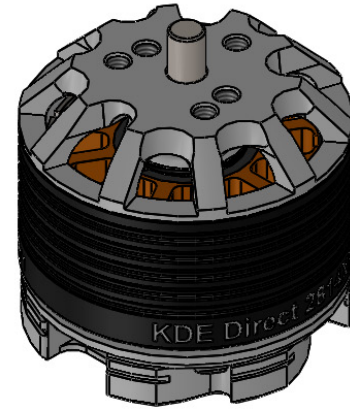
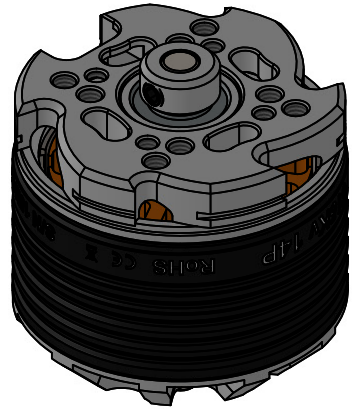


KDE DIRECT 28XX SERIES MOUNT SCHEMATIC

KDE2814XF-515

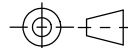
KDE2814XF-775



UNLESS OTHERWISE SPECIFIED:
1. ALL DIMENSIONS APPLY BEFORE PLATING OR COATING
2. REMOVE ALL BURRS, BREAK SHARP EDGES .020 IN MAX.

IMPERIAL

THIRD ANGLE PROJECTION



TOLERANCES:

X	± 0.040"
X.X	± 0.020"
X.XX	± 0.010"
X.XXX	± 0.005"
ANGULAR	± 1°

DESIGNED	KDE DIRECT
DRAWN	KDE DIRECT
DATE	XX/XX/XXXX

TITLE: KDE DIRECT 28XX MOUNT SCHEMATIC

SIZE PART NO. KDE28XX SERIES

REV. A

DO NOT SCALE DRAWING

SCALE: 4:1 SHEET 1 OF 1