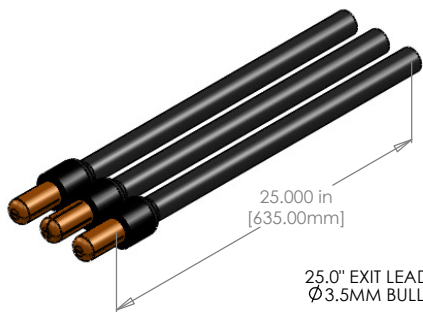
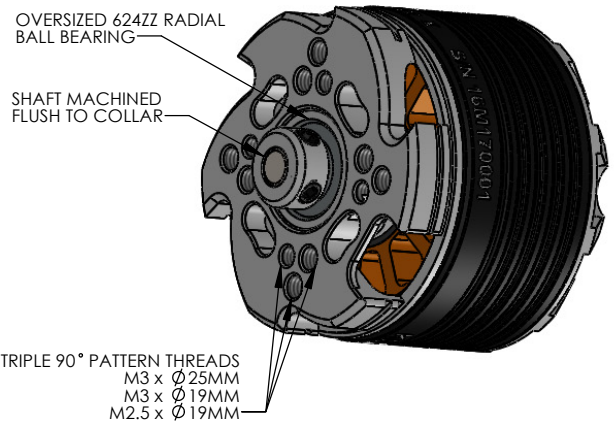
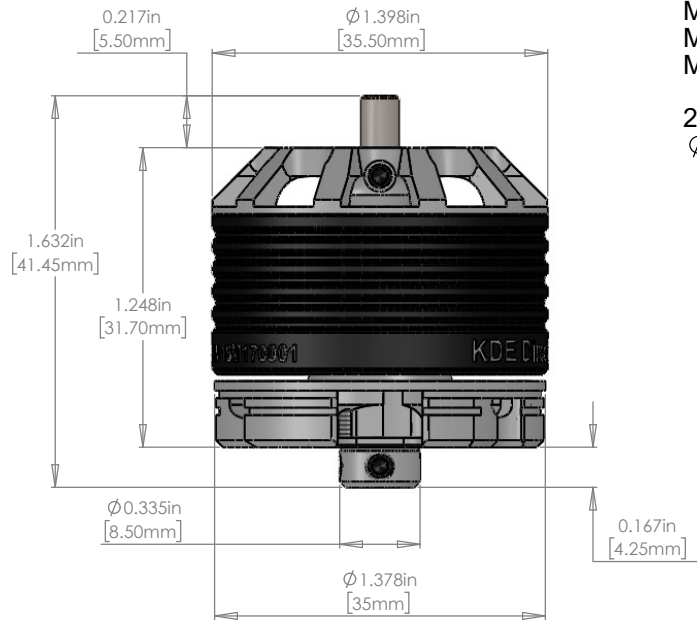
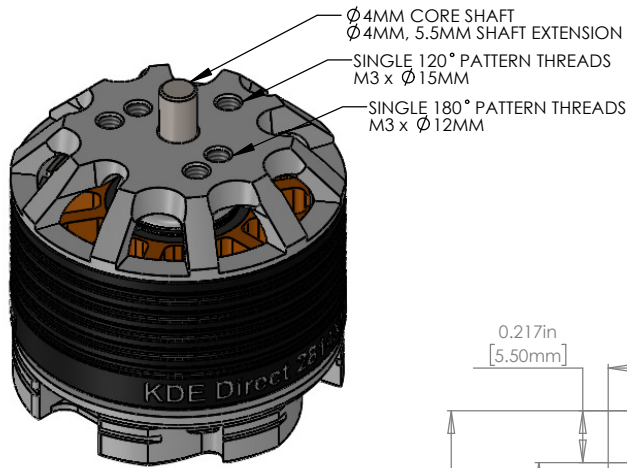


**KDE2814XF-775 KDE DIRECT UAS BRUSHLESS MOTOR
PRODUCTION RELEASE**



KDE DIRECT UAS BRUSHLESS MOTOR SPECS.

Ø4mm Core Shaft
 Ø4mm, 5.5mm Extended Length
 - Shaft Flush with Retaining Collar

684ZZ Upper Bearing (Ø4mm x Ø9mm x 4mm)
 - Double Upper Bearings
 624ZZ Lower Bearing (Ø4mm x Ø13mm x 5mm)

Single 120° Pattern Threads:
 M3 Threads x Ø15mm Spacing

Single 180° Pattern Threads:
 M3 Threads x Ø12mm Spacing

Triple 90° Pattern Threads:
 M3 Threads x Ø25mm Spacing
 M3 Threads x Ø19mm Spacing
 M2.5 Threads x Ø19mm Spacing

25" Exit Lead Extensions (17 AWG)
 Ø3.5mm 24k Bullets, Pre-Soldered and Shrink Wrap



www.KDEDirect.com

www.KDEDirect.com
KDE2814XF-775