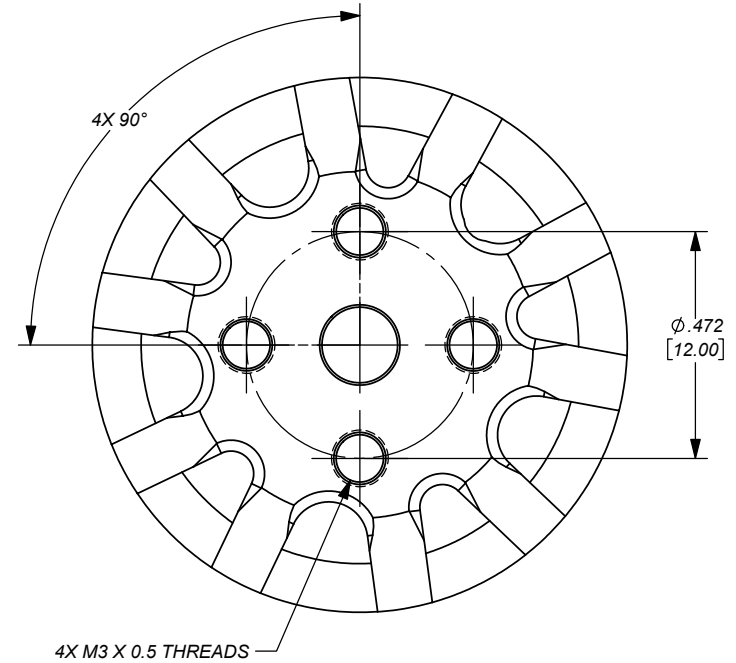
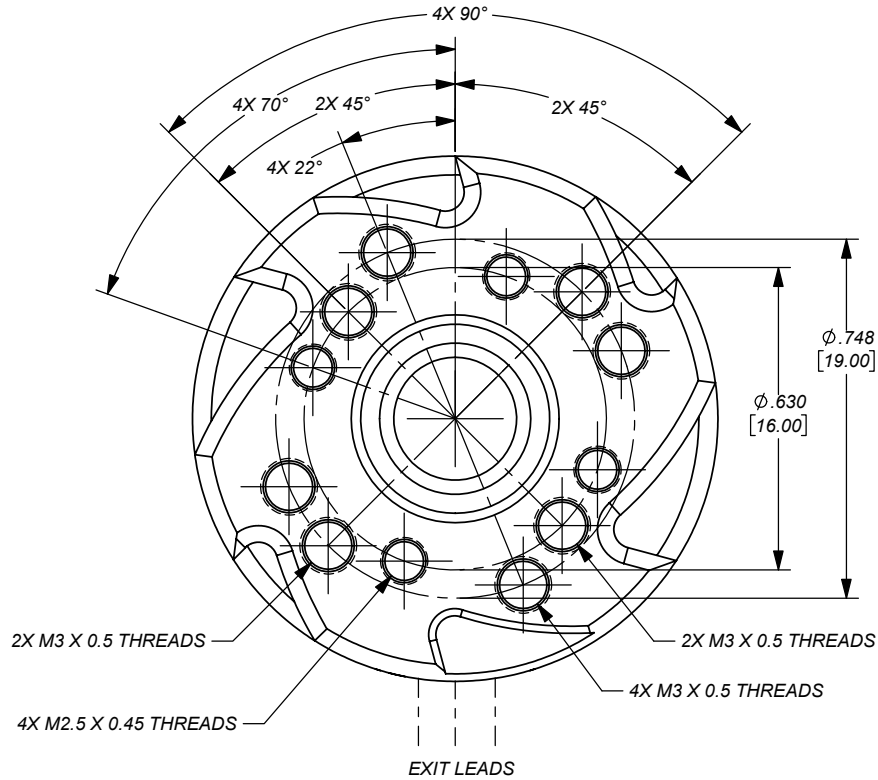
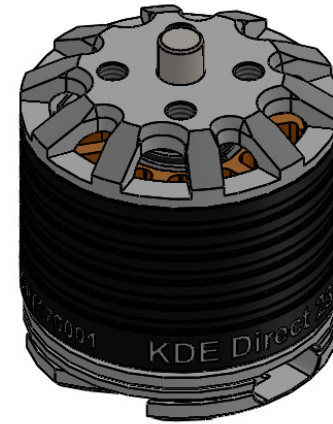
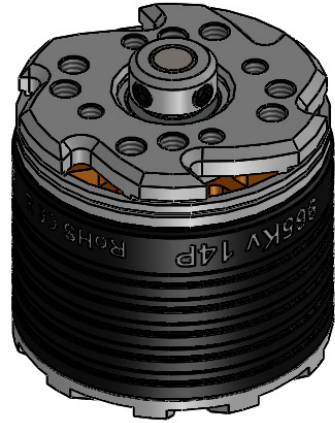


# KDE DIRECT 23XX SERIES MOUNT SCHEMATIC

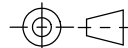
KDE2315XF-885  
 KDE2315XF-965  
 KDE2315XF-2050



UNLESS OTHERWISE SPECIFIED:  
 1. ALL DIMENSIONS APPLY BEFORE PLATING OR COATING.  
 2. REMOVE ALL BURRS, BREAK SHARP EDGES .020 IN MAX.

IMPERIAL

THIRD ANGLE PROJECTION



TOLERANCES:  
 X . ± 0.040°  
 XX ± 0.020°  
 XXX ± 0.010°  
 XXXX ± 0.005°  
 ANGULAR ± 1°

DESIGNED KDE DIRECT  
 DRAWN KDE DIRECT  
 DATE XX/XX/XXXX

TITLE KDE DIRECT 23XX MOUNT SCHEMATIC

SIZE PART NO. KDE23XX SERIES

REV. A

DO NOT SCALE DRAWING

SCALE: 4:1 SHEET 1 OF 1