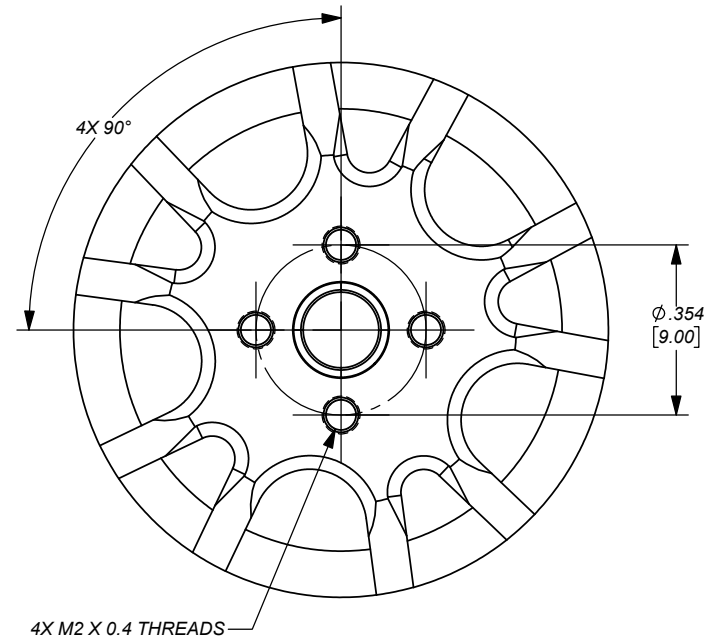
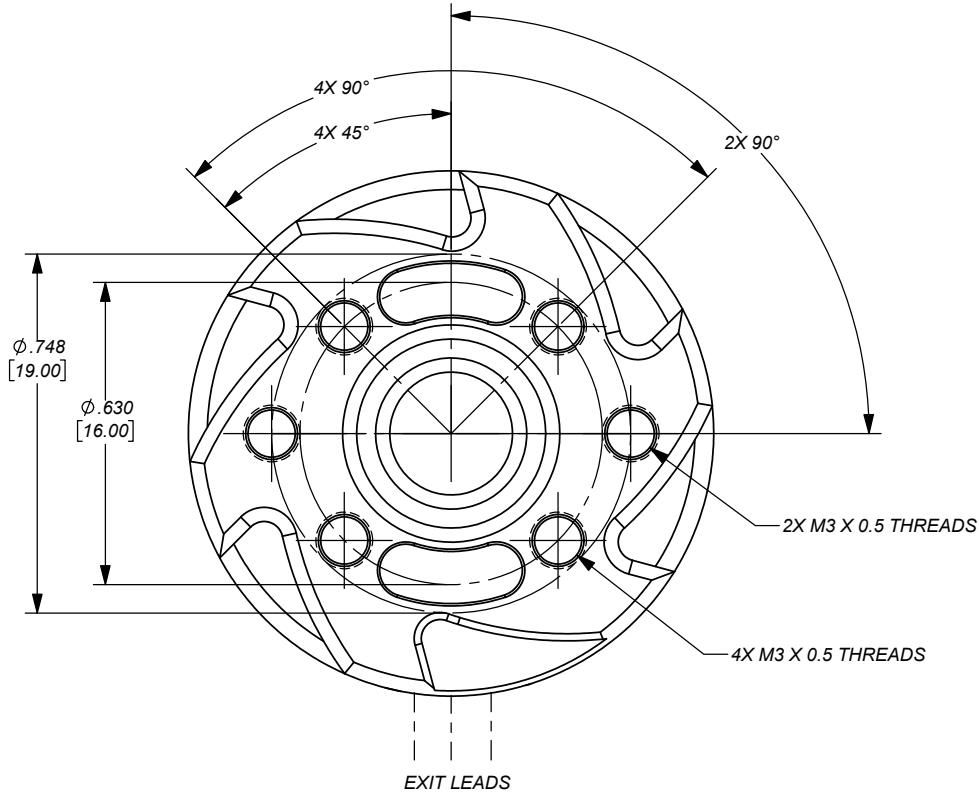
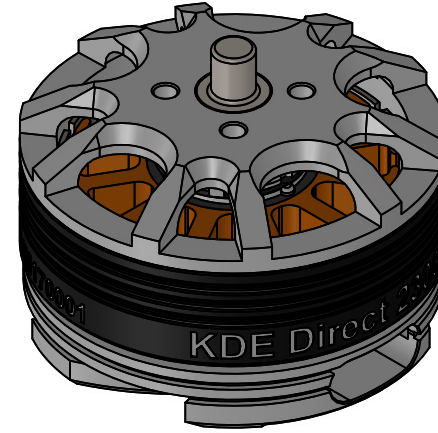
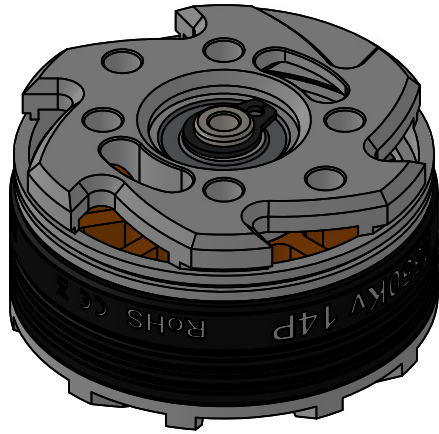


KDE DIRECT 23XX-FPV SERIES MOUNT SCHEMATIC V2

KDE2306XF-2050

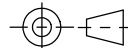
KDE2306XF-2550



UNLESS OTHERWISE SPECIFIED:
1. ALL DIMENSIONS APPLY BEFORE PLATING OR COATING.
2. REMOVE ALL BURRS, BREAK SHARP EDGES .020 IN MAX.

IMPERIAL

THIRD ANGLE PROJECTION



TOLERANCES:
X. ± 0.040"
XX ± 0.020"
XXX ± 0.010"
XXXX ± 0.005"
ANGULAR ± 1°

DESIGNED KDE DIRECT
DRAWN KDE DIRECT
DATE XX/XX/XXXX

TITLE KDE DIRECT 23XX-FPV MOUNT SCHEMATIC V2

SIZE PART NO. C KDE23XX SERIES

REV. A

DO NOT SCALE DRAWING

SCALE: 4:1 SHEET 1 OF 1