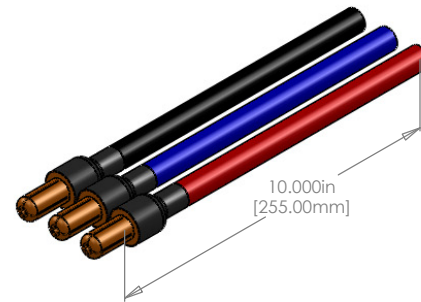
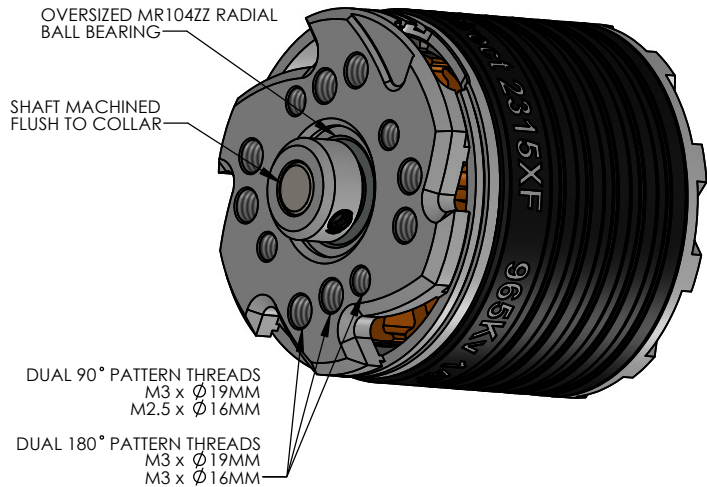
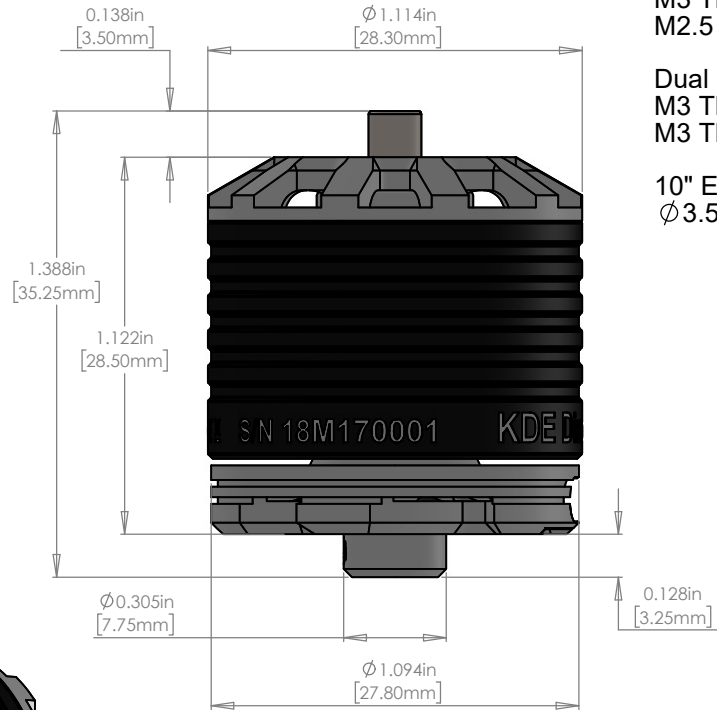
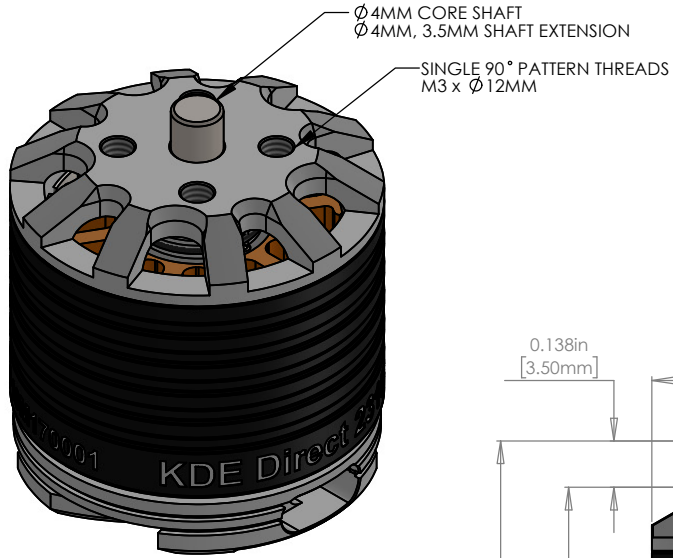


**KDE2315XF-965 KDE DIRECT UAS BRUSHLESS MOTOR
PRODUCTION RELEASE**



10.0" EXIT LEAD EXTENSIONS (18 AWG)
Ø 3.5MM BULLETS PRE-SOLDERED
BLACK/BLUE/RED LEADS
ROTATION-DIRECTION MATCHED (CW)

KDE DIRECT UAS BRUSHLESS MOTOR SPECS.

Ø 4mm Core Shaft
Ø 4mm, 3.5mm Extended Length
- Shaft Flush with Retaining Collar

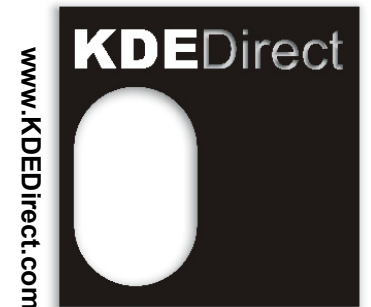
MR84ZZ Upper Bearing (Ø 4mm x Ø 8mm x 3mm)
- Double Upper Bearings
MR104ZZ Lower Bearing (Ø 4mm x Ø 10mm x 4mm)

Single 90° Pattern Threads:
M3 Threads x Ø 12mm Spacing

Dual 90° Pattern Threads:
M3 Threads x Ø 19mm Spacing
M2.5 Threads x Ø 16mm Spacing

Dual 180° Pattern Threads:
M3 Threads x Ø 19mm Spacing
M3 Threads x Ø 16mm Spacing

10" Exit Lead Extensions (18 AWG)
Ø 3.5mm 24k Bullets, Pre-Soldered and Shrink Wrap



www.KDEDirect.com

www.KDEDirect.com
KDE2315XF-965