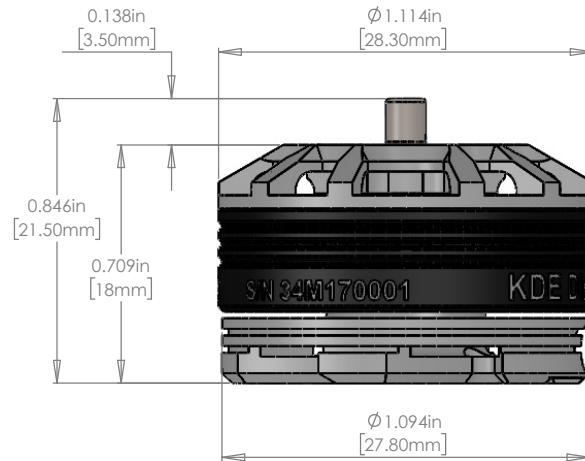
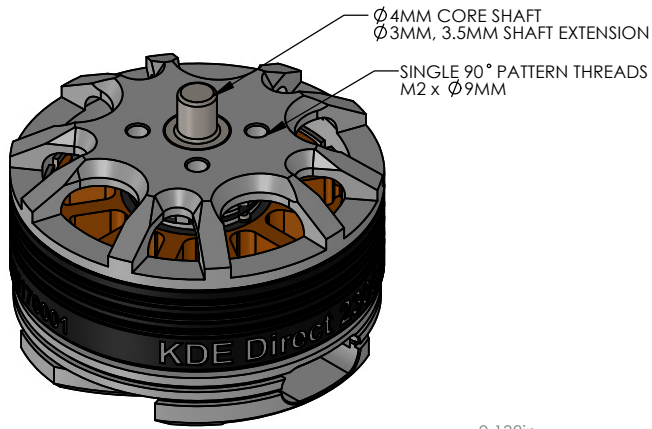


**KDE2306XF-2550 KDE DIRECT UAS BRUSHLESS MOTOR  
PRODUCTION RELEASE**



**KDE DIRECT UAS BRUSHLESS MOTOR SPECS.**

$\varnothing$  4mm Core Shaft  
 $\varnothing$  3mm, 3.5mm Extended Length

MR84ZZ Upper Bearing ( $\varnothing$  4mm x  $\varnothing$  8mm x 3mm)  
 - Double Upper Bearings  
 MR104ZZ Lower Bearing ( $\varnothing$  4mm x  $\varnothing$  10mm x 4mm)

Single 90° Pattern Threads:  
 M2 Threads x  $\varnothing$  9mm Spacing

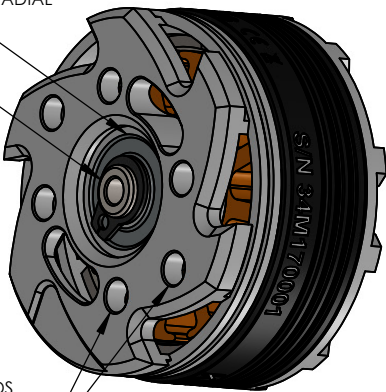
Single 90° Pattern Threads:  
 M3 Threads x  $\varnothing$  16mm Spacing

Single 180° Pattern Threads:  
 M3 Threads x  $\varnothing$  19mm Spacing

10" Exit Lead Extensions (19 AWG)  
 $\varnothing$  3.5mm 24k Bullets, Pre-Soldered and Shrink Wrap

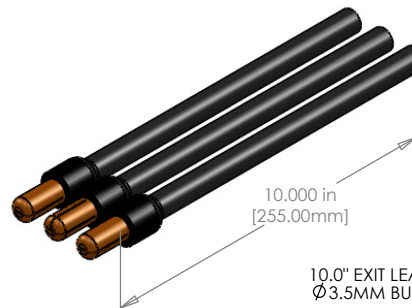
OVERSIZED MR104ZZ RADIAL BALL BEARING

SHAFT RECESSED TO REAR CASE

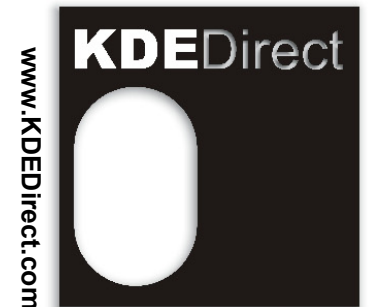


SINGLE 90° PATTERN THREADS  
M3 x  $\varnothing$  16MM

SINGLE 180° PATTERN THREADS  
M3 x  $\varnothing$  19MM



10.0" EXIT LEAD EXTENSIONS (19 AWG)  
 $\varnothing$  3.5MM BULLETS PRE-SOLDERED



[www.KDEDirect.com](http://www.KDEDirect.com)  
**KDE2306XF-2550**