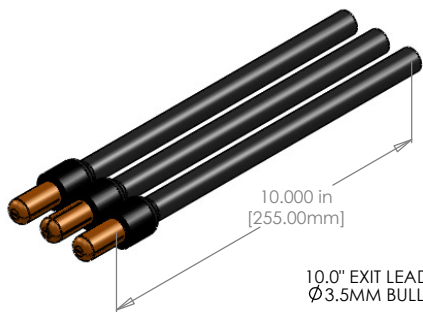
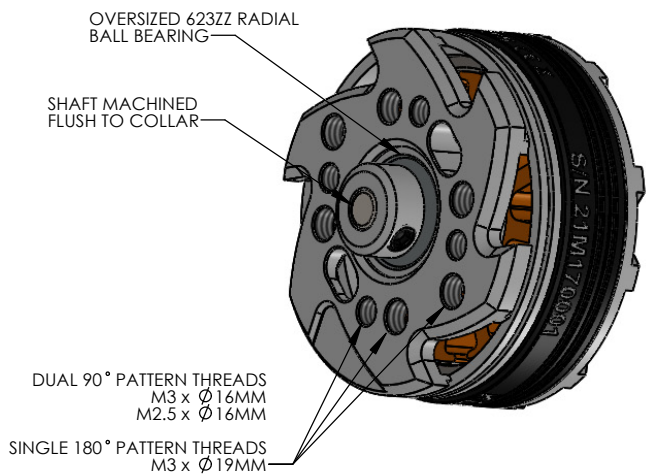
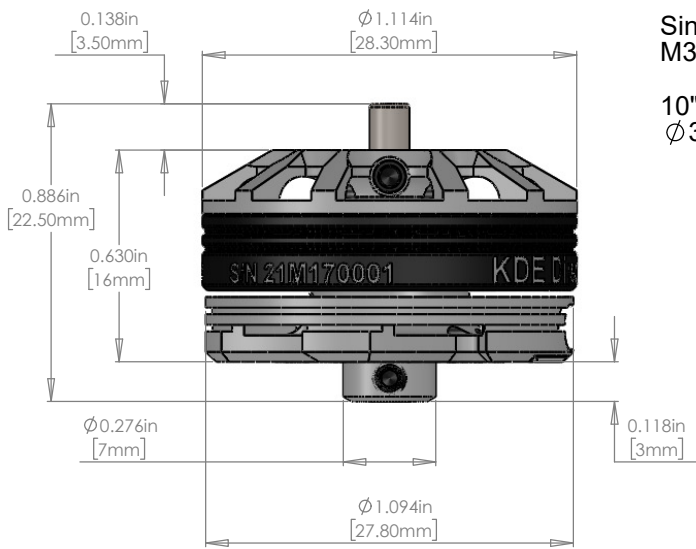
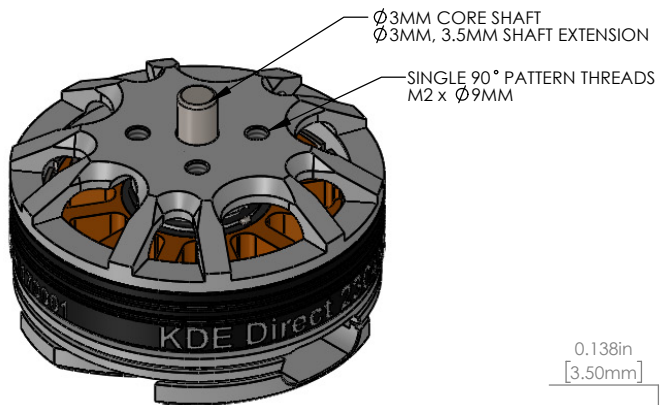


**KDE2304XF-2350 KDE DIRECT UAS BRUSHLESS MOTOR
PRODUCTION RELEASE**



KDE DIRECT UAS BRUSHLESS MOTOR SPECS.

\varnothing 3mm Core Shaft
 \varnothing 3mm, 3.5mm Extended Length
 - Shaft Flush with Retaining Collar

693ZZ Upper Bearing (\varnothing 3mm x \varnothing 8mm x 4mm)
 623ZZ Lower Bearing (\varnothing 3mm x \varnothing 10mm x 4mm)

Single 90° Pattern Threads:
 M2 Threads x \varnothing 9mm Spacing

Dual 90° Pattern Threads:
 M3 Threads x \varnothing 16mm Spacing
 M2.5 Threads x \varnothing 16mm Spacing

Single 180° Pattern Threads:
 M3 Threads x \varnothing 19mm Spacing

10" Exit Lead Extensions (20 AWG)
 \varnothing 3.5mm 24k Bullets, Pre-Soldered and Shrink Wrap



www.KDEDirect.com
KDE2304XF-2350