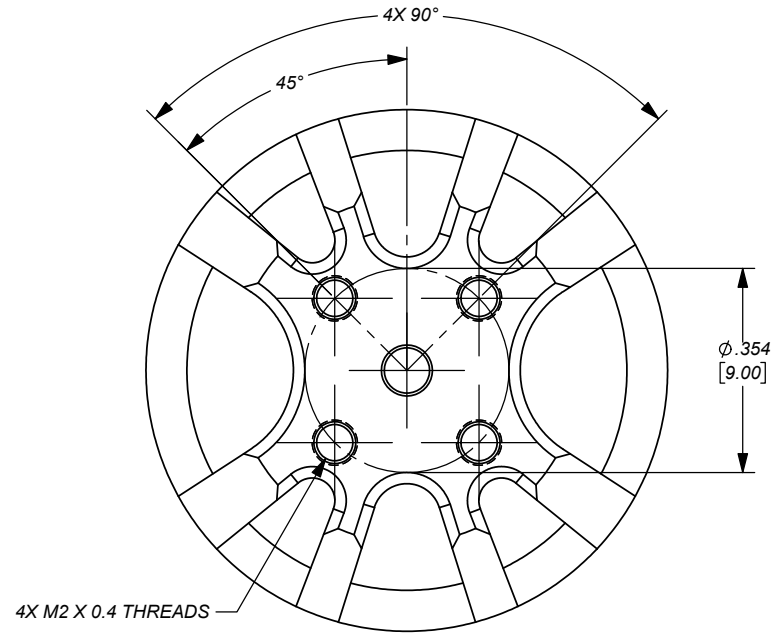
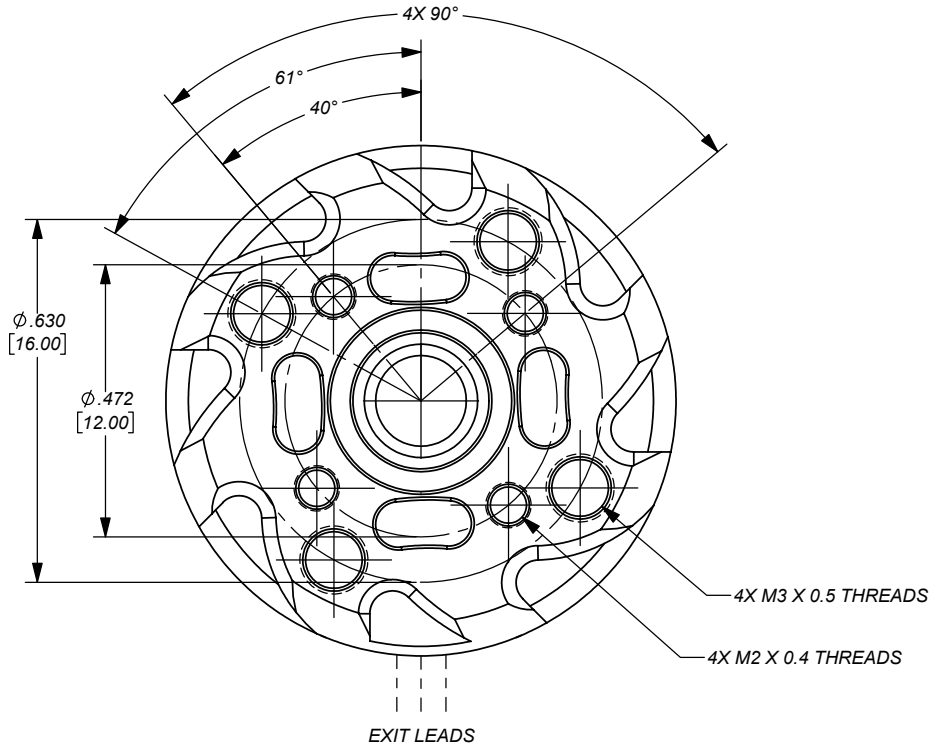
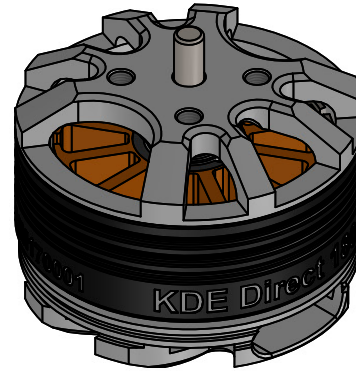
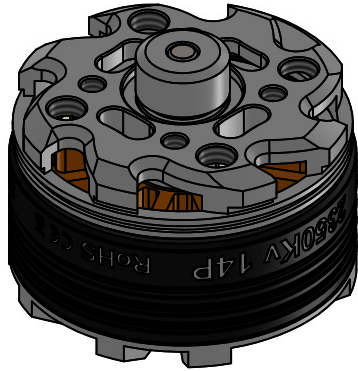


**KDE DIRECT 18XX SERIES MOUNT SCHEMATIC V2**  
**KDE1806XF-2350**



UNLESS OTHERWISE SPECIFIED:  
 1. ALL DIMENSIONS APPLY BEFORE PLATING OR COATING.  
 2. REMOVE ALL BURRS, BREAK SHARP EDGES .020 IN MAX.



TOLERANCES.

X	± 0.040"
X.X	± 0.020"
X.XX	± 0.010"
X.XXX	± 0.005"
ANGULAR	± 1°

DESIGNED	KDE DIRECT
DRAWN	KDE DIRECT
DATE	XX/XX/XXXX

DO NOT SCALE DRAWING

TITLE	KDE DIRECT 18XX MOUNT SCHEMATIC V2	
SIZE	PART NO.	KDE18XX SERIES

REV. **A**