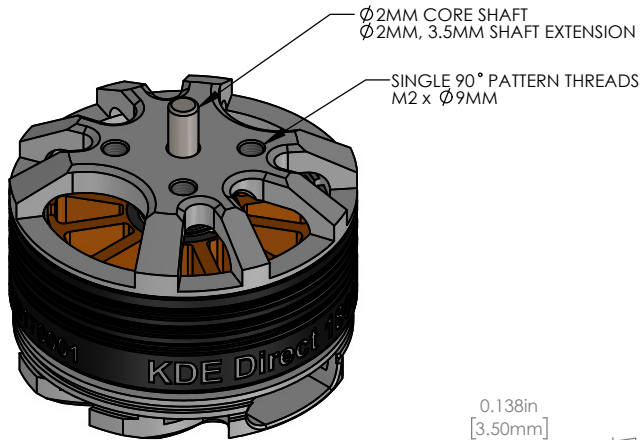
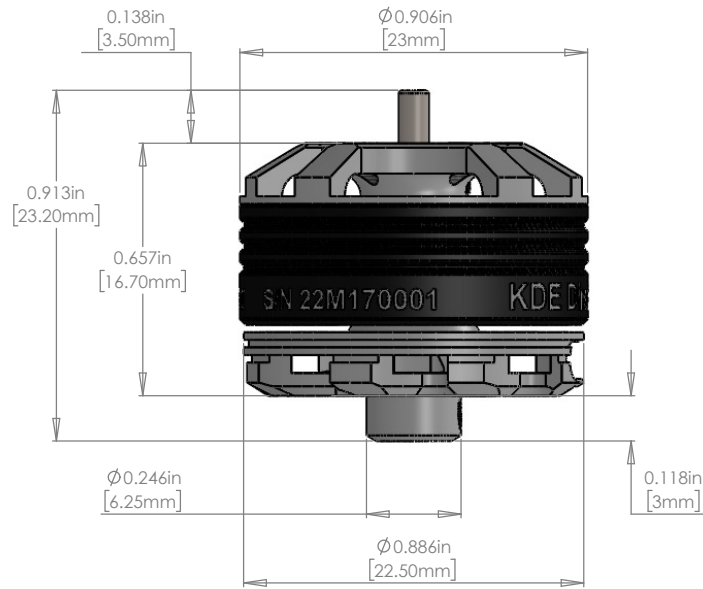


**KDE1806XF-2350 KDE DIRECT UAS BRUSHLESS MOTOR  
PRODUCTION RELEASE**



Ø2MM CORE SHAFT  
Ø2MM, 3.5MM SHAFT EXTENSION

SINGLE 90° PATTERN THREADS  
M2 x Ø9MM



**KDE DIRECT UAS BRUSHLESS MOTOR SPECS.**

Ø2mm Core Shaft  
Ø2mm, 3.5mm Extended Length  
- Shaft Flush with Retaining Collar

682ZZ Upper Bearing (Ø2mm x Ø5mm x 2.3mm)  
- Double Upper Bearings  
692ZZ Lower Bearing (Ø2mm x Ø6mm x 3mm)

Single 90° Pattern Threads:  
M2 Threads x Ø9mm Spacing

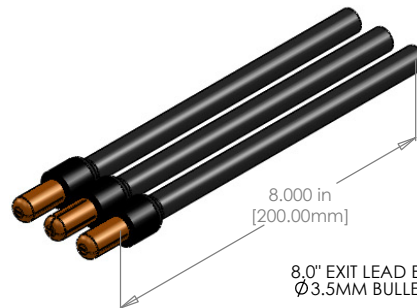
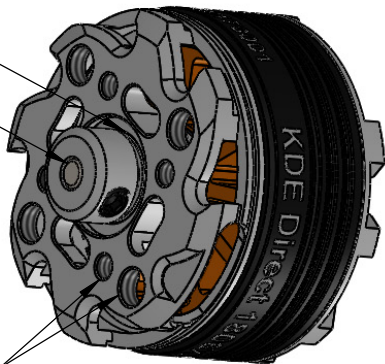
Dual 90° Pattern Threads:  
M3 Threads x Ø16mm Spacing  
M2 Threads x Ø12mm Spacing

8" Exit Lead Extensions (20 AWG)  
Ø3.5mm 24k Bullets, Pre-Soldered and Shrink Wrap

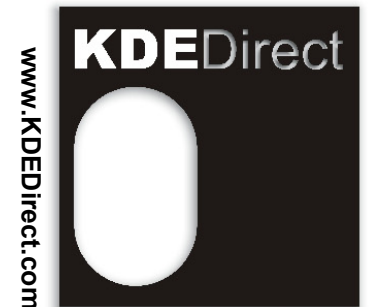
OVERSIZED 692ZZ RADIAL BALL BEARING

SHAFT MACHINED FLUSH TO COLLAR

DUAL 90° PATTERN THREADS  
M3 x Ø16MM  
M2 x Ø12MM



8.0" EXIT LEAD EXTENSIONS (20 AWG)  
Ø3.5MM BULLETS PRE-SOLDERED



www.KDEDirect.com

www.KDEDirect.com  
KDE1806XF-2350