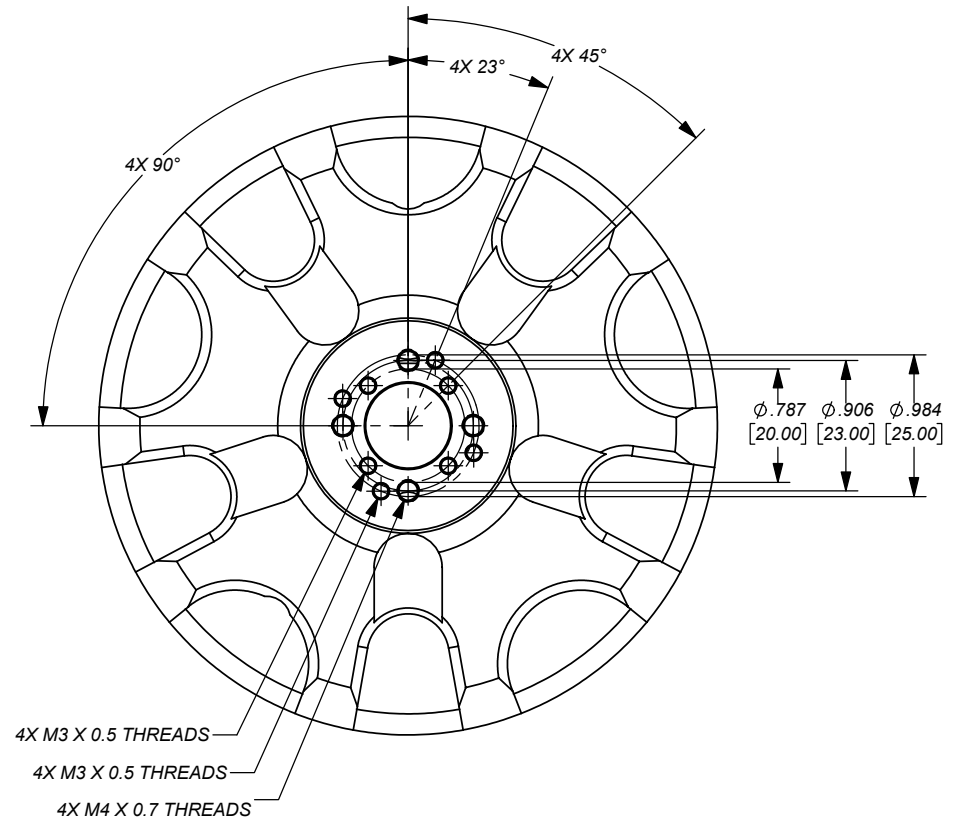
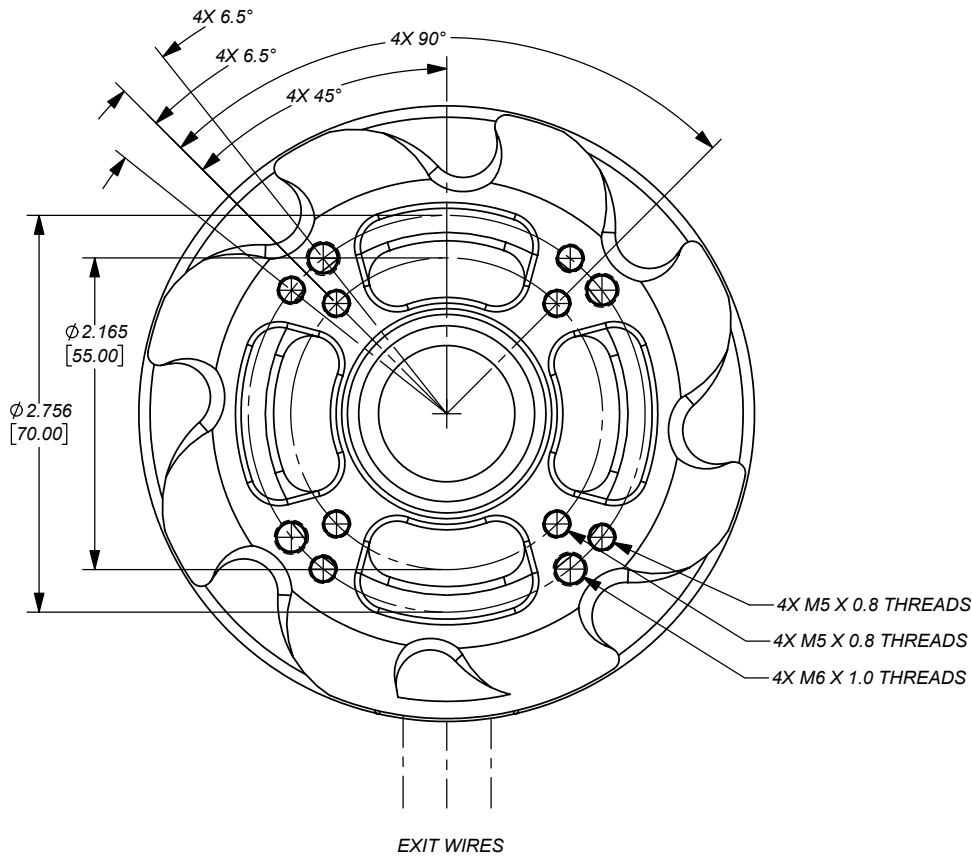
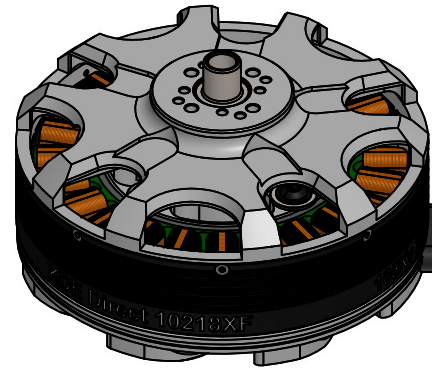
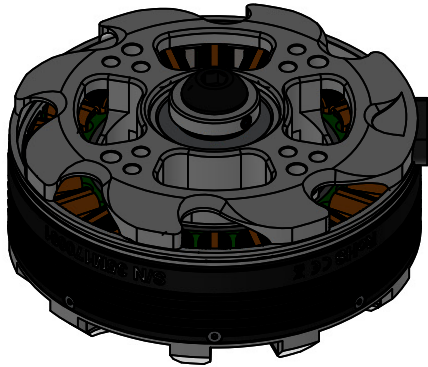


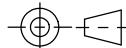
# KDE DIRECT 102XX SERIES MOUNT SCHEMATIC KDE10218XF-105 (HE)



UNLESS OTHERWISE SPECIFIED:  
 1. ALL DIMENSIONS APPLY BEFORE PLATING OR COATING.  
 2. REMOVE ALL BURRS, BREAK SHARP EDGES .020 IN MAX.

IMPERIAL

THIRD ANGLE PROJECTION



TOLERANCES.

X  $\pm 0.040^\circ$   
 X.X  $\pm 0.020^\circ$   
 X.XX  $\pm 0.010^\circ$   
 X.XXX  $\pm 0.005^\circ$   
 ANGULAR  $\pm 1^\circ$

DESIGNED KDE DIRECT  
 DRAWN KDE DIRECT  
 DATE XX/XX/XXXX

TITLE KDE DIRECT 102XX MOUNT SCHEMATIC

SIZE PART NO. KDE102XX SERIES

REV. A

DO NOT SCALE DRAWING

SCALE: 4:1 SHEET 1 OF 1