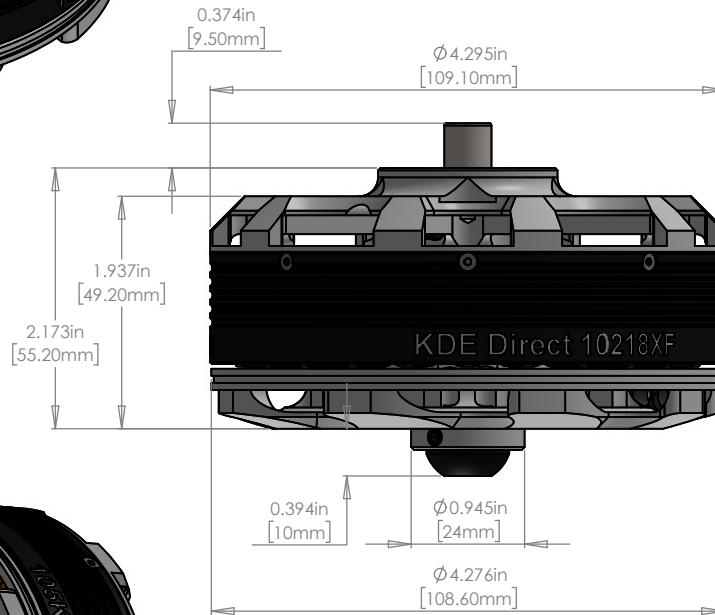
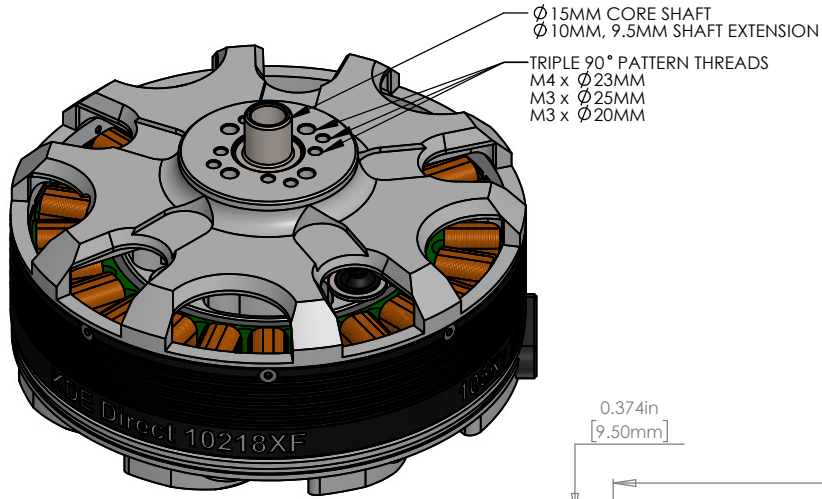


**KDE10218XF-105 (HE) KDE DIRECT UAS BRUSHLESS MOTOR
PRODUCTION RELEASE**

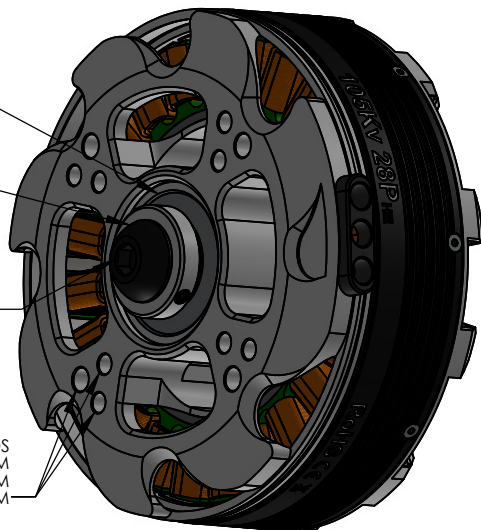


OVERSIZED 7202C
NSK-BRAND, HPS SERIES
ANGULAR-CONTACT
BALL BEARING

SHAFT MACHINED
FLUSH TO COLLAR

BUTTON HEAD
SOCKET HEAD CAP SCREW
RETAINER (M10 x 1.5 x 12MM)

TRIPLE 90° PATTERN THREADS
M6 x \varnothing 70MM
M5 x \varnothing 70MM
M5 x \varnothing 55MM



KDE DIRECT UAS BRUSHLESS MOTOR SPECS.

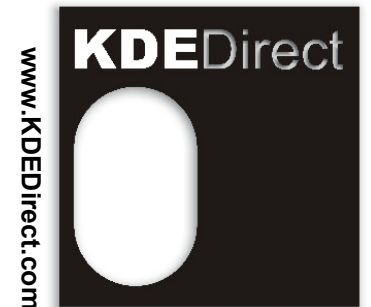
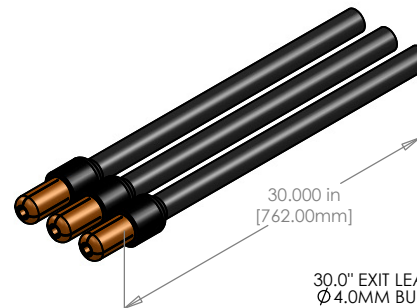
\varnothing 15mm Core Shaft
 \varnothing 10mm, 9.5mm Extended Length
 - Shaft Flush with Retaining Collar

6902-2RS Upper Bearing (\varnothing 15mm x \varnothing 28mm x 7mm)
 - Single Upper Radial Ball Bearing
 7902C Upper Bearing (\varnothing 15mm x \varnothing 28mm x 7mm)
 - Single Upper Angular Contact Ball Bearing
 7202C Lower Bearing (\varnothing 15mm x \varnothing 35mm x 11mm)
 - Single Lower Angular Contact Ball Bearing
 - All Bearings NSK-BRAND, HPS Series

Triple 90° Pattern Threads:
 M6 Threads x \varnothing 70mm Spacing
 M5 Threads x \varnothing 70mm Spacing
 M5 Threads x \varnothing 55mm Spacing

Triple 90° Pattern Threads:
 M4 Threads x \varnothing 23mm Spacing
 M3 Threads x \varnothing 25mm Spacing
 M3 Threads x \varnothing 20mm Spacing

30" Exit Lead Extensions (12 AWG)
 \varnothing 4.0mm 24k Bullets, Pre-Soldered and Shrink Wrap



www.KDEDirect.com
KDE10218XF-105