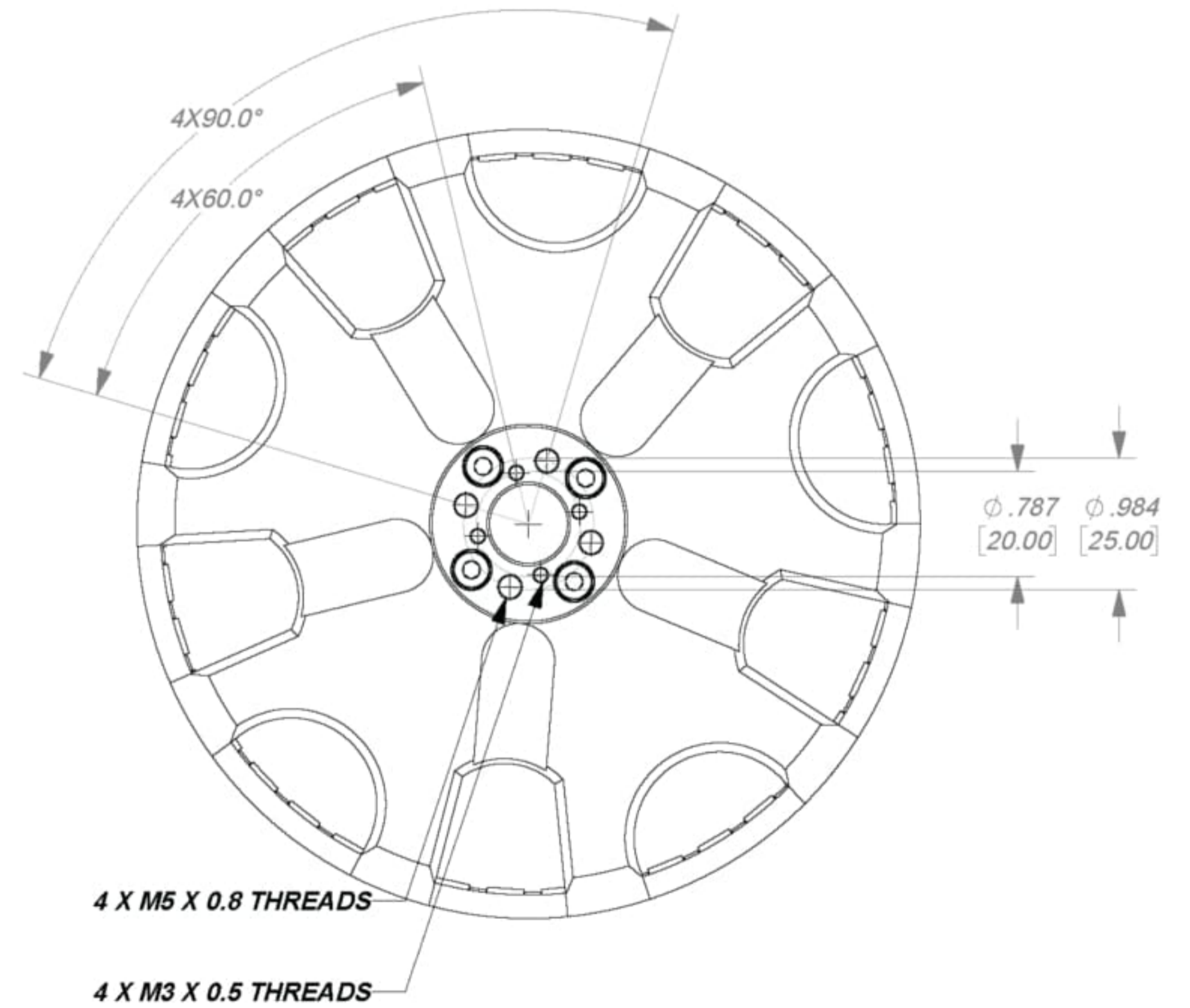
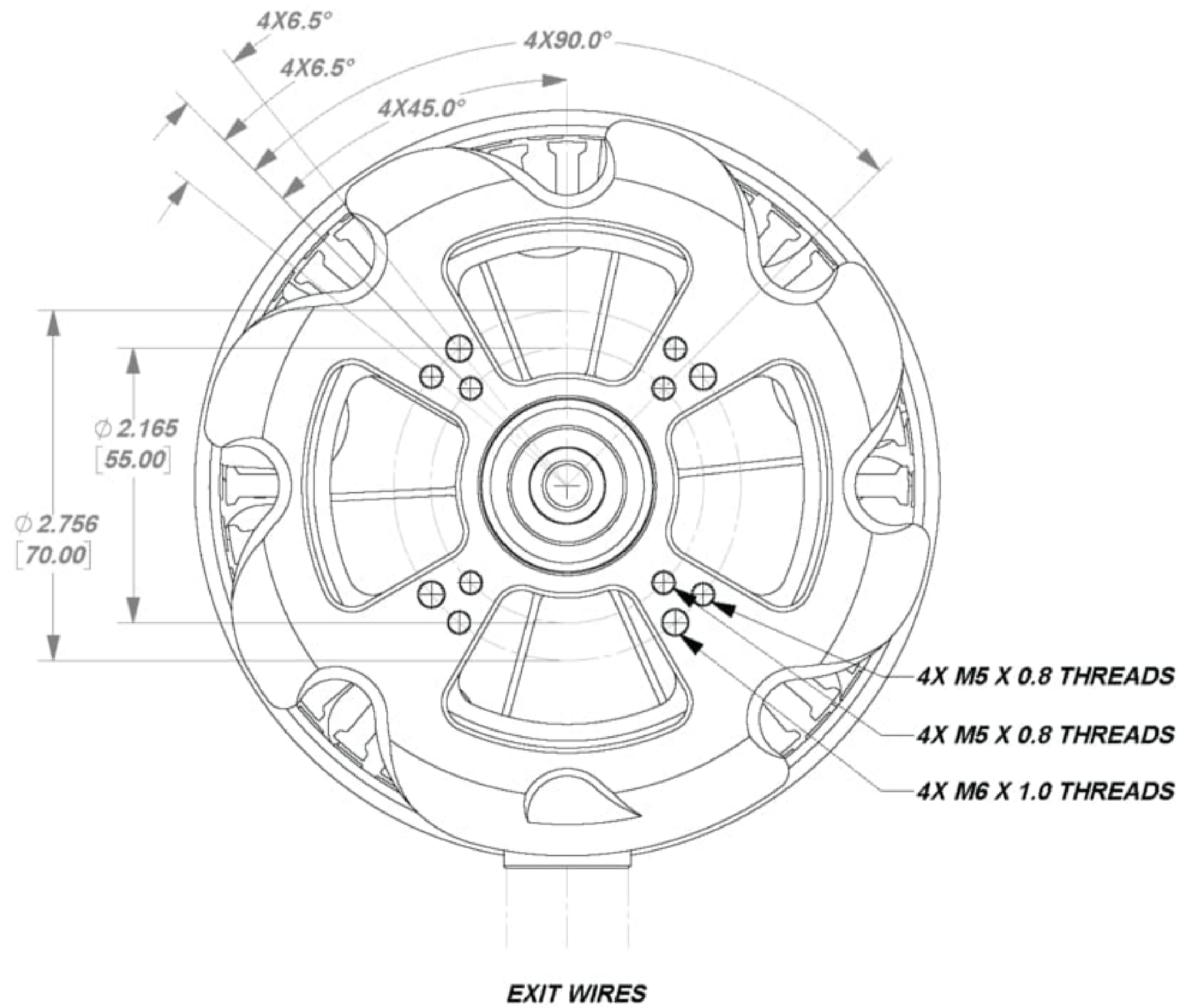


KDE DIRECT 132XX MOUNT SCHEMATIC
KDE13218XF-105 (HE)



UNLESS OTHERWISE SPECIFIED:
 1. ALL DIMENSIONS APPLY BEFORE PLATING OR COATING.
 2. REMOVE ALL BURRS, BREAK SHARP EDGES 0.20 IN MAX.

IMPERIAL

THIRD ANGLE PROJECTION



TOLERANCES.
 X ± 0.040"
 XX ± 0.020"
 XXX ± 0.010"
 XXXX ± 0.005"
 ANGULAR ± 1°

DESIGNED KDE DIRECT
 DRAWN KDE DIRECT
 DATE XX/XX/XXXX

TITLE: **KDE DIRECT 132XX MOUNT SCHEMATIC**

SIZE **C** PART NO. **KDE132XX Series** REV. **A**

DO NOT SCALE DRAWING

SCALE: 4:1 SHEET 1 OF 1