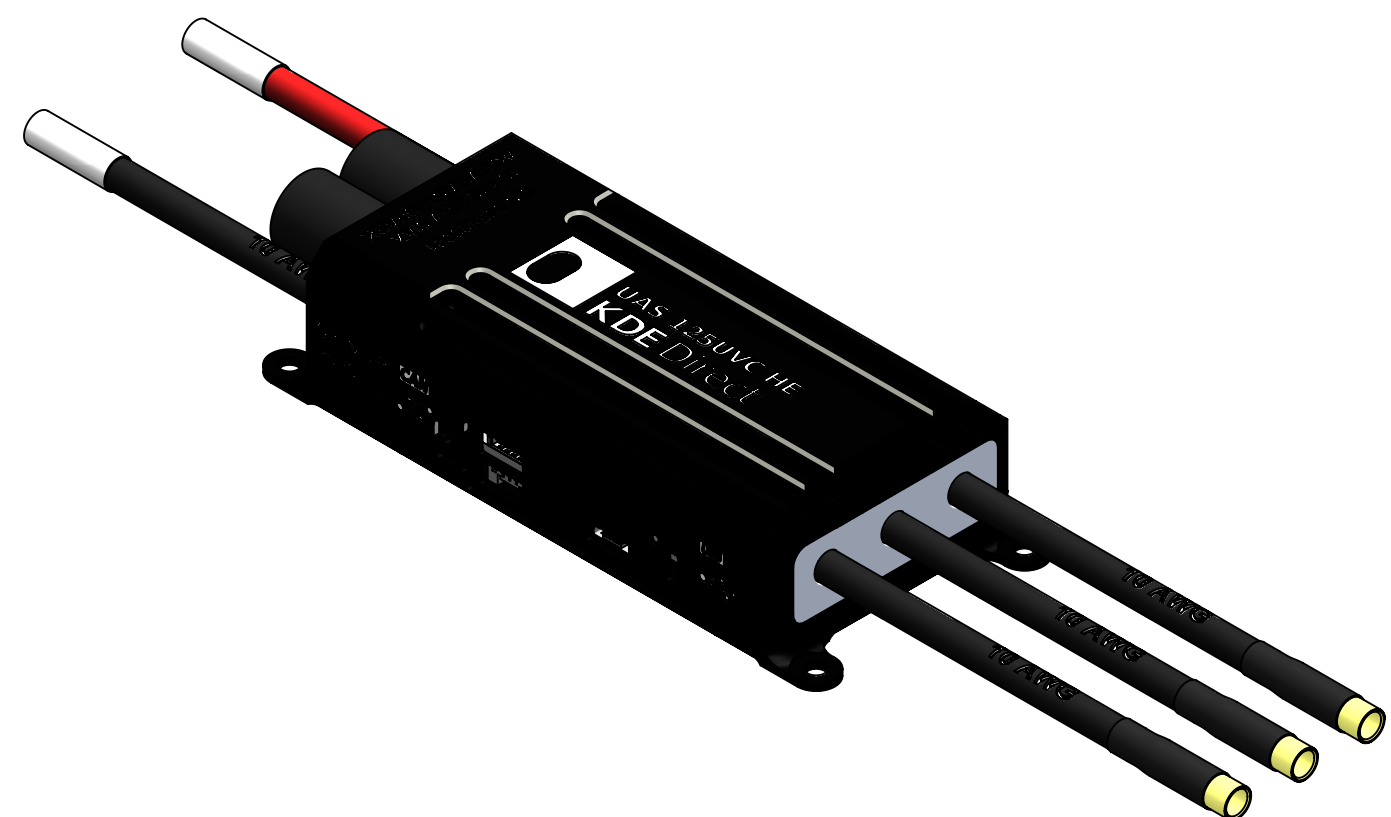


KDE-UAS125UVC HE KDE Direct UAS ESC, 125A+ UHV PRODUCTION RELEASE



2MM EXPOSED WIRE
SOLDER PRE-TINNED

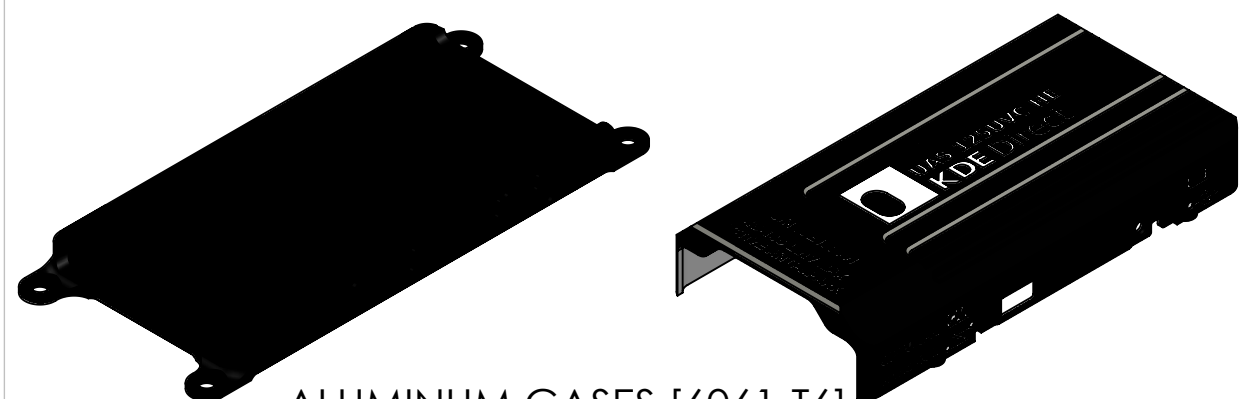
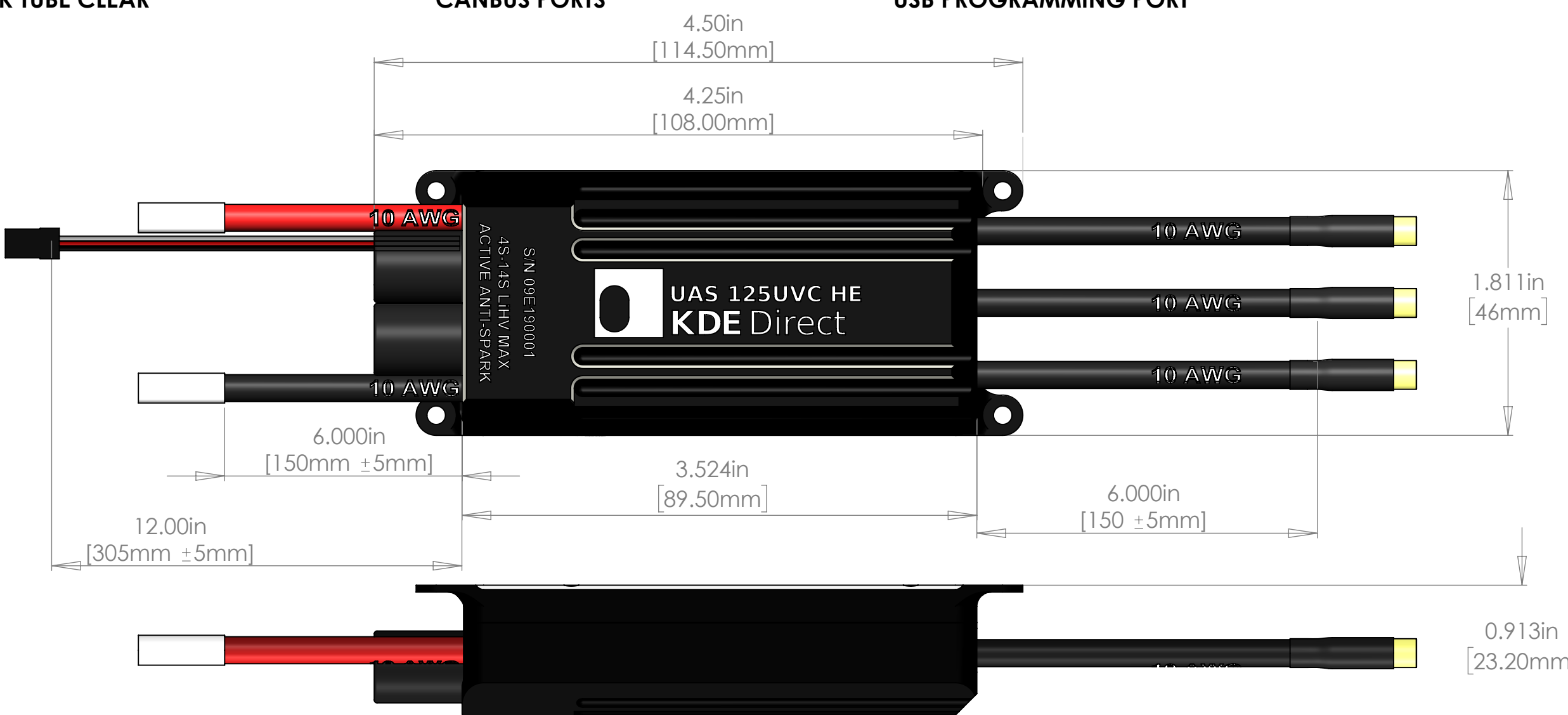
Ø 4.0MM
FEMALE CONNECTORS

SHRINK TUBE CLEAR

CANBUS PORTS

USB PROGRAMMING PORT

SHRINK TUBE BLACK



ALUMINUM CASES [6061-T6]



KDE DIRECT UAS ESC SPECIFICATIONS

4S-14S Capable (63V Max), 125A Continuous
Opto-Isolation
Anti-Spark
Current Detection
Overload Protection

6" (150mm) Power Lead Extensions

- (10 AWG, Red/Black)
- 2.0mm Exposed Wire and Pre-Soldered
- Clear Shrink Wrap

6" (150mm) Motor Lead Extensions

- (10AWG, Black)
- Ø 4.0mm Female 24K Bullets
- Pre-Soldered and Shrink Wrap

12" (300mm) Control Lead Wire Included

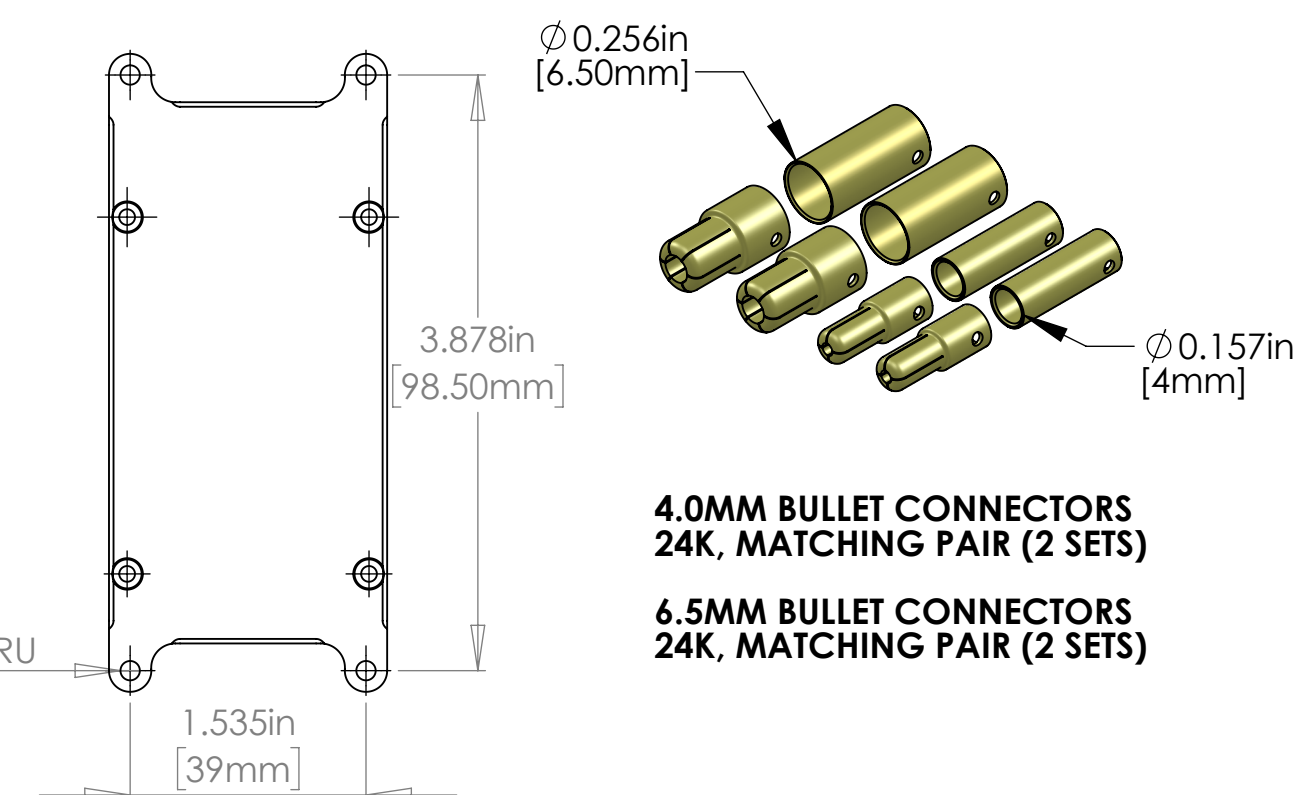
- (22 AWG, White/Red/Black)
- JR Connector, 3-Wire, Female-Female

Molded Grommets at Power and Motor Lead Exits

IP Rating 66

REVISIONS

REV.	DESCRIPTION	DATE	APPROVED
A	Initial Production Release	12/08/2016	
B	Board Redesign for Optimized Cooling	12/01/2018	
C	HE Version Release	09/09/2019	
D	Capacitor change from 470uF to 560uF. Increased length by 5mm.	3/01/2022	



4.0MM BULLET CONNECTORS
24K, MATCHING PAIR (2 SETS)

6.5MM BULLET CONNECTORS
24K, MATCHING PAIR (2 SETS)