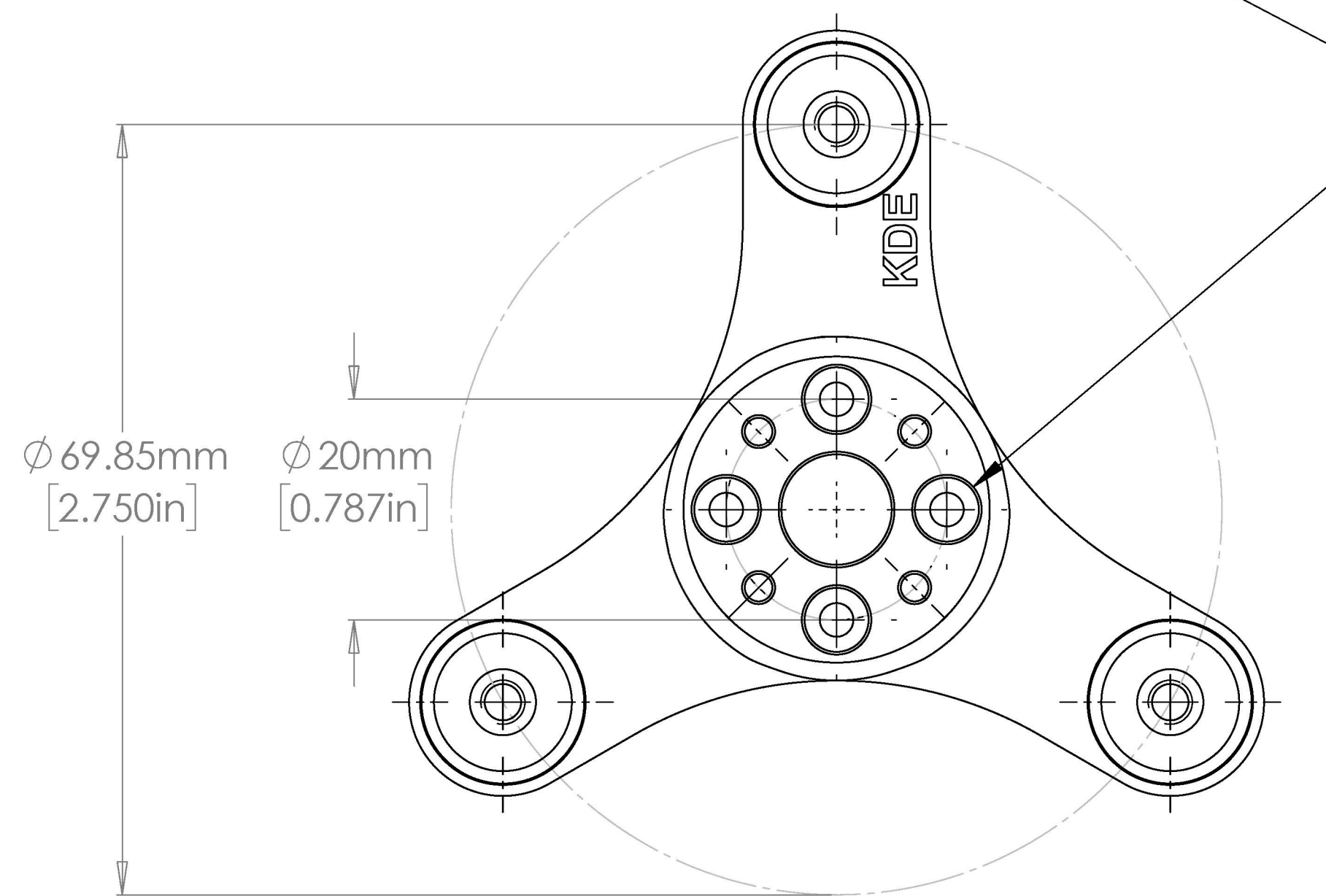
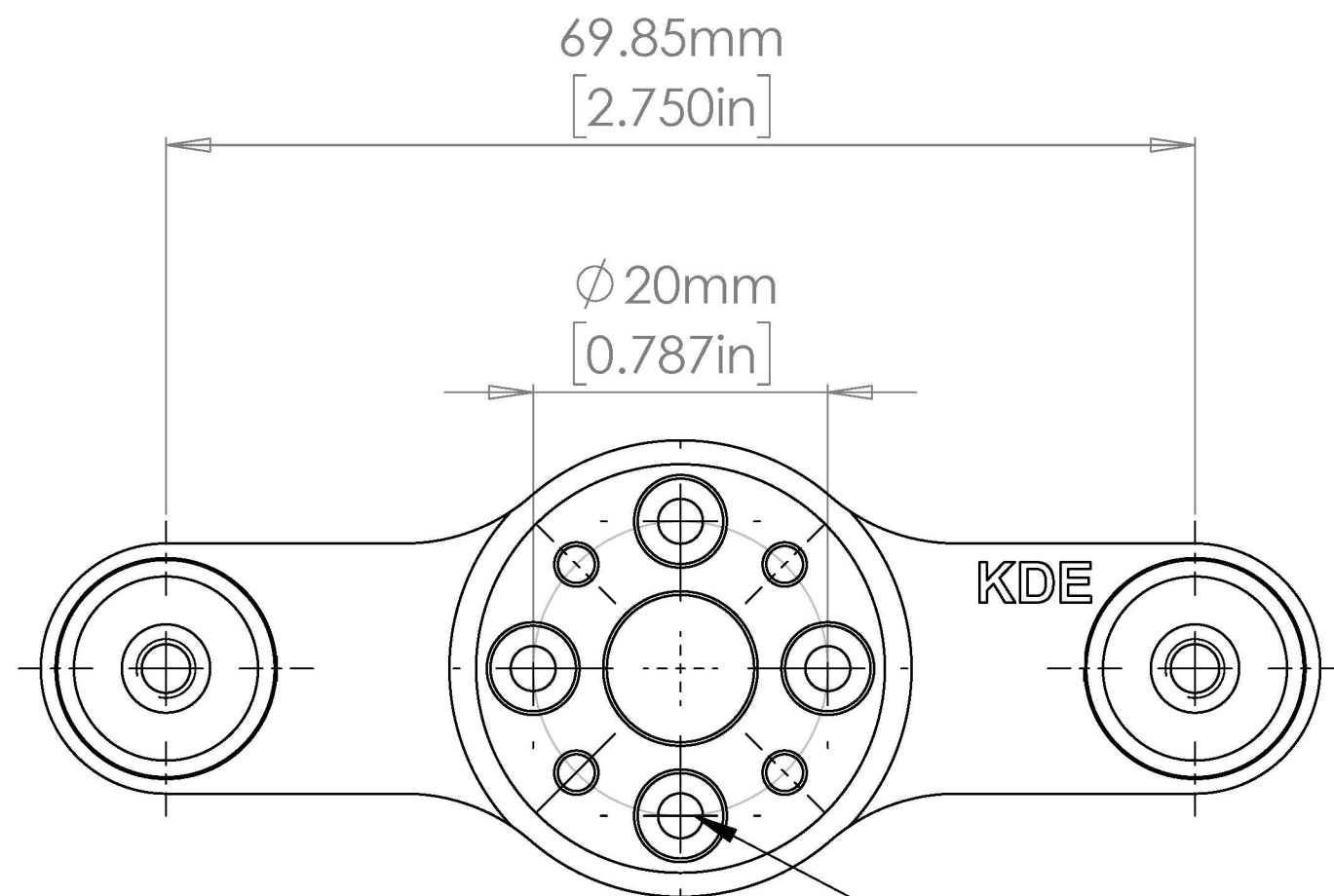


KDE-DPAHL/TPAHL BASEPLATE MOUNTING PATTERNS



Products:

KDE-DPAHL-ML
KDE-TPAHL-ML



M3 Shoulder Cap Screw Countersink
Qty: 4 on \varnothing 20mm

REVISIONS		
REV.	DESCRIPTION	DATE
A	Original production release.	4/17/2020