

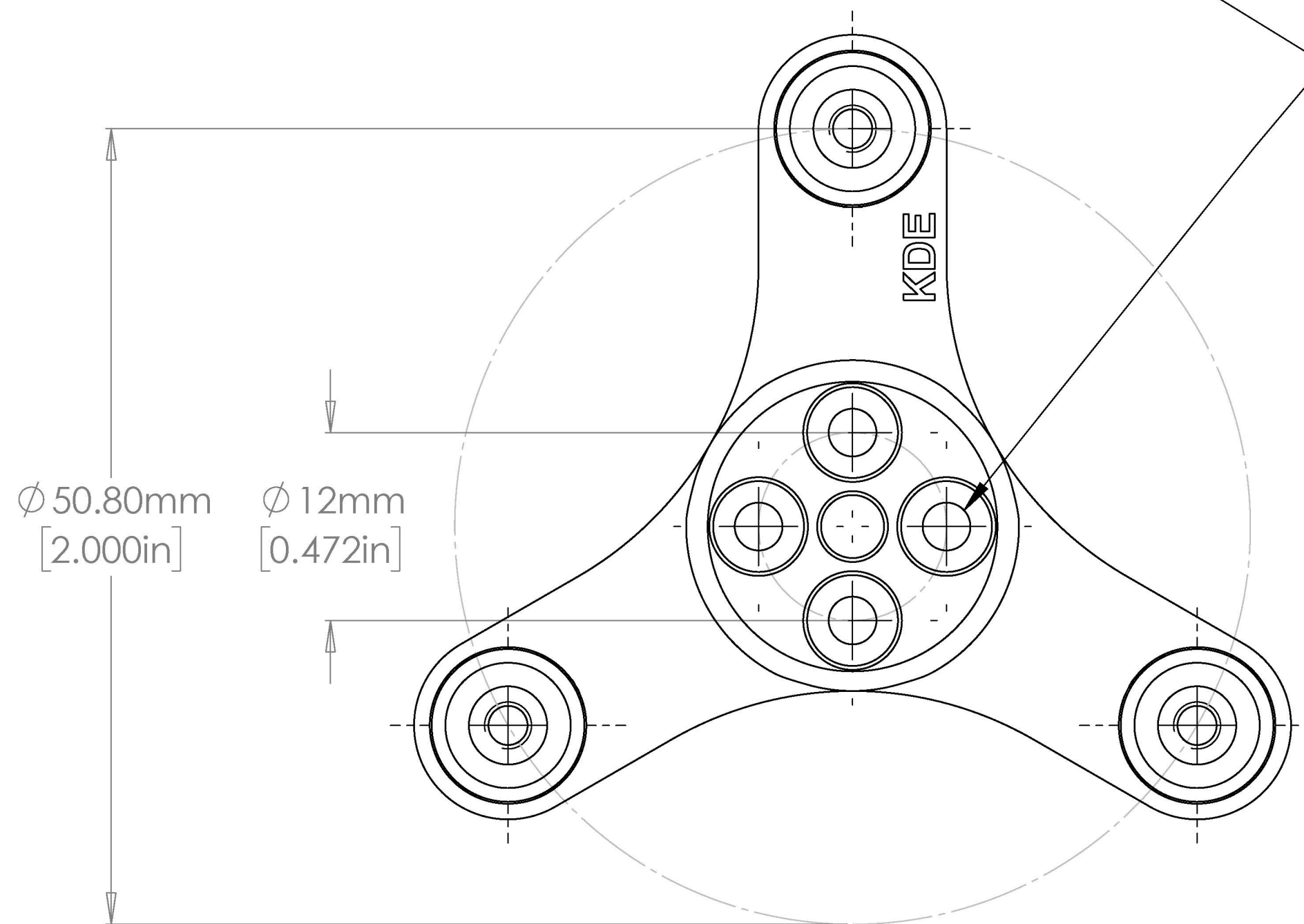
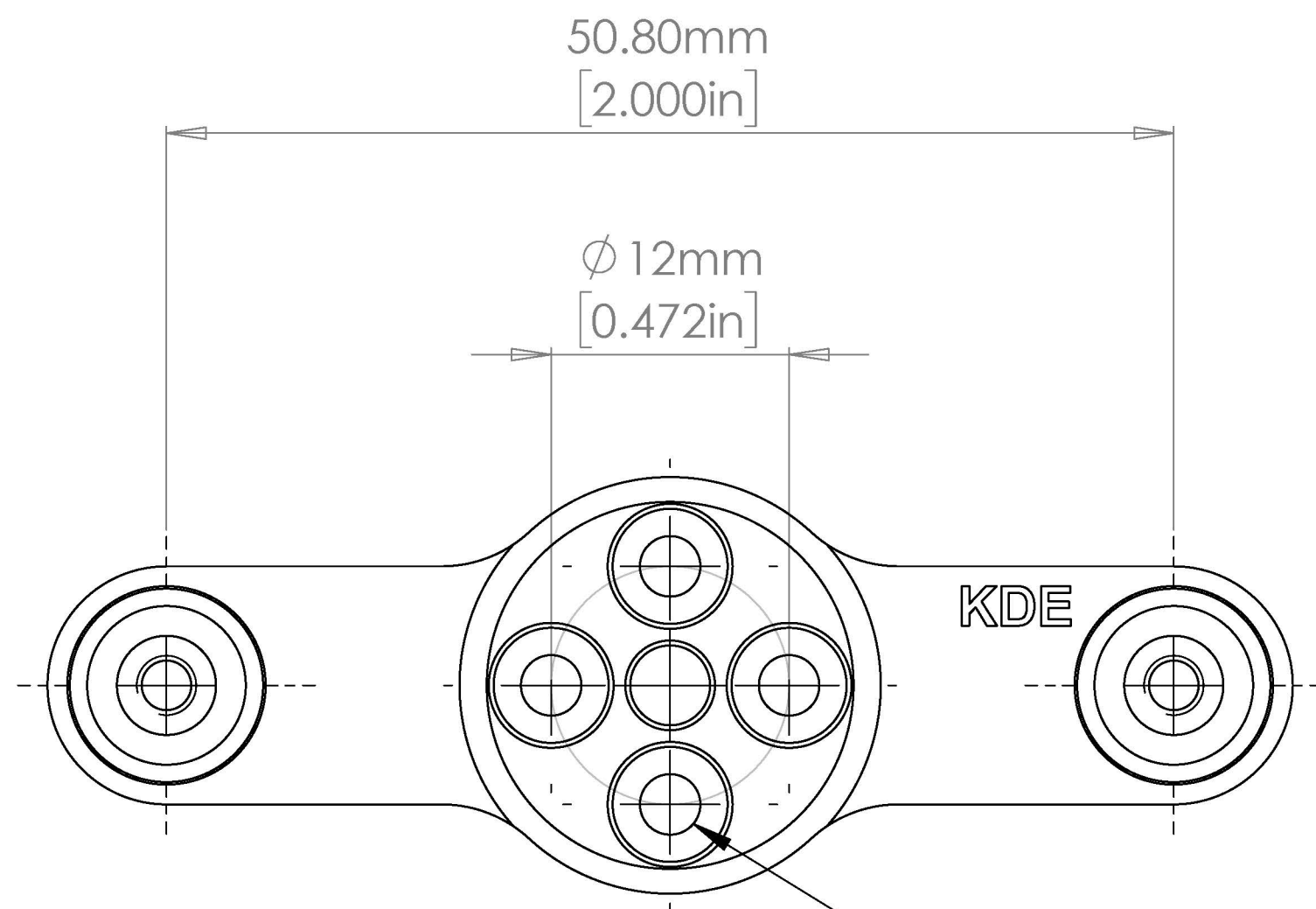
KDE-DPA/TPA BASEPLATE MOUNTING PATTERNS



Products:

KDE-DPA-ML
KDE-TPA-ML

KDE-DPA-ML - M4 Version
KDE-TPA-ML - M4 Version



M3 Shoulder Cap Screw Countersink
Qty: 4 on \varnothing 12mm

REVISIONS		
REV.	DESCRIPTION	DATE
A	Original production release.	4/17/2020