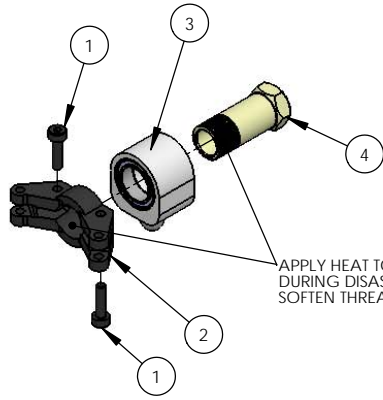


TREX700 SERIES PERFORMANCE TAIL CONTROL UPGRADE V2 AT700-PTC-V2 (AL 6061-T6)

STEP 1

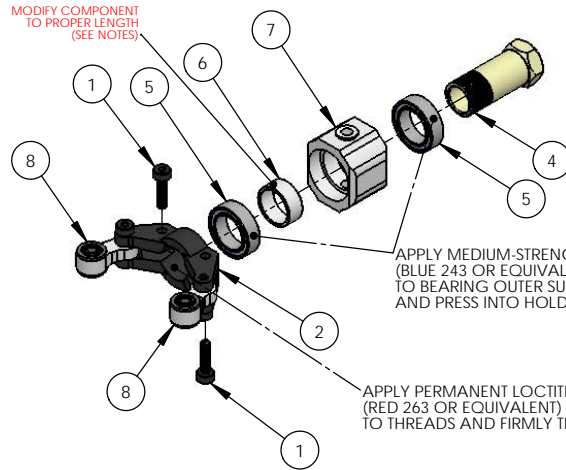
DISASSEMBLE STOCK ALIGN METAL TAIL PITCH ASSEMBLY



APPLY HEAT TO T-TYPE ARM DURING DISASSEMBLY TO SOFTEN THREADLOCKER

STEP 2: ASSEMBLY A

ASSEMBLE PERFORMANCE TAIL PITCH ASSEMBLY



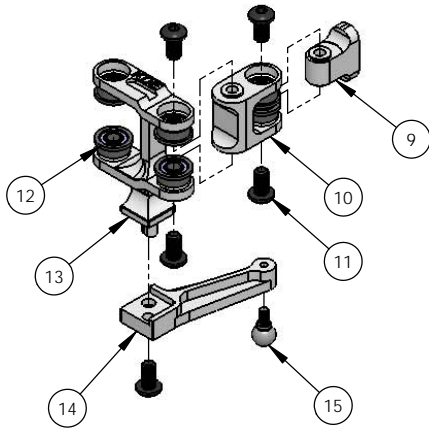
MODIFY COMPONENT TO PROPER LENGTH (SEE NOTES)

APPLY MEDIUM-STRENGTH LOCTITE (BLUE 243 OR EQUIVALENT) TO BEARING OUTER SURFACE AND PRESS INTO HOLDER

APPLY PERMANENT LOCTITE (RED 263 OR EQUIVALENT) TO THREADS AND FIRMLY TIGHTEN

STEP 3: ASSEMBLY B

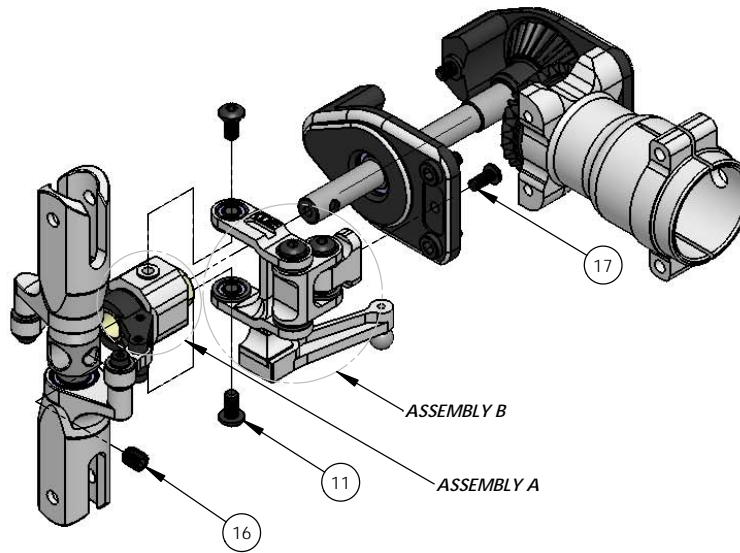
ASSEMBLE PERFORMANCE TAIL CONTROL MECHANICS



APPLY MEDIUM-STRENGTH LOCTITE (BLUE 243 OR EQUIVALENT) TO ALL BEARING OUTER SURFACES AND INSTALL INTO CORRESPONDING BEARING BORES.

STEP 4

ASSEMBLE INTO TREX 700/800 SERIES TAIL SYSTEM



ITEM NO.	DESCRIPTION	QTY.
1	M2 x 0.4 x 8MM SOCKET HEAD CAP SCREW (INCLUDED IN ORIGINAL KIT)	2
2	ALIGN TREX 700 SERIES T-TYPE ARM (INCLUDED IN ORIGINAL KIT)	1
3	ALIGN TREX 700 SERIES BEARING HOLDER ASSEMBLY (INCLUDED IN ORIGINAL KIT)	1
4	ALIGN TREX 700 SERIES SLIDE SHAFT (INCLUDED IN ORIGINAL KIT)	1
5	MR128ZZ RADIAL BALL BEARING	2
6	KDE DIRECT TREX 700 SERIES PERFORMANCE TAIL CONTROL V2 BEARING COLLAR	1
7	KDE DIRECT TREX 700 SERIES PERFORMANCE TAIL CONTROL V2 BEARING HOLDER	1
8	KDE DIRECT TREX 550/600/700 SERIES PERFORMANCE TAIL UPGRADE V2 (SOLD SEPARATELY, AT550/600/700-PTU-V2)	2
9	KDE DIRECT TREX 700 SERIES PERFORMANCE TAIL CONTROL V2 MOUNTING BOLT	1
10	KDE DIRECT TREX 700 SERIES PERFORMANCE TAIL CONTROL V2 SECONDARY LINK	1
11	M2.5 x 0.45 x 6MM BUTTON HEAD SOCKET HEAD CAP SCREW (INCLUDED IN ORIGINAL KIT)	7
12	F683ZZ FLANGED RADIAL BALL BEARING	6
13	KDE DIRECT TREX 700 SERIES PERFORMANCE TAIL CONTROL V2 PRIMARY LINK	1
14	KDE DIRECT TREX 700 SERIES PERFORMANCE TAIL CONTROL V2 ARM LEVER	1
15	ALIGN TREX 700 SERIES LINKAGE BALL C (M2 x 5MM) (INCLUDED IN ORIGINAL KIT)	1
16	M4 x 0.7 x 4MM SOCKET HEAD SET SCREW CUP POINT (INCLUDED IN ORIGINAL KIT)	1
17	M2.5 x 0.45 x 6MM BUTTON HEAD SOCKET HEAD CAP SCREW (INCLUDED IN ORIGINAL KIT)	1

NOTE: THE TREX 700 PERFORMANCE TAIL CONTROL UPGRADE PROVIDES THE ULTIMATE, SLOP-FREE CONTROL SYSTEM AVAILABLE ON THE MARKET TO PROVIDE PRECISE TAIL CONTROL AND AUTHORITY. DUE TO THE PRECISION CNC-MACHINING OF EACH COMPONENT, CORRECT INSTALLATION IS KEY FOR PROPER, BIND-FREE OPERATION. PLEASE PAY ATTENTION TO THE INSTRUCTIONS AND TAKE YOUR TIME WHEN INSTALLING THE ASSEMBLY. **MAKE SURE TO APPLY MEDIUM-STRENGTH LOCTITE (BLUE 243 OR EQUIVALENT) TO ALL SCREWS DURING ASSEMBLY.**

STEP 1: DISASSEMBLE THE STOCK ALIGN METAL TAIL PITCH ASSEMBLY TO REMOVE THE STOCK BEARING HOLDER. USING A HEAT-GUN, FLAME, OR ALTERNATE HEAT-SOURCE, APPLY HEAT TO THE THREADS HOLDING THE SLIDE SHAFT TO THE T-TYPE ARM. ONCE THE LOCTITE HAS SOFTENED AND RELEASED, UNSCREW THE SLIDE SHAFT FROM THE T-TYPE ARM AND SET ASIDE.

STEP 2: ASSEMBLE THE PERFORMANCE TAIL PITCH ASSEMBLY AS SHOWN IN THE DIAGRAM. APPLY MEDIUM-STRENGTH LOCTITE (BLUE 243 OR EQUIVALENT) TO THE OUTER SURFACE OF THE MR128ZZ RADIAL BALL BEARINGS AND PERMANENT LOCTITE (RED 263 OR EQUIVALENT) TO THE THREADS OF THE SLIDE SHAFT DURING INSTALLATION. **THE BEARING COLLAR HAS BEEN MACHINED SLIGHTLY-OVERSIZED IN LENGTH TO ALLOW CUSTOMIZATION TO A PERFECT FIT. USING A FILE AND/OR SANDPAPER, MODIFY THE LENGTH OF THE COLLAR UNTIL A SLOP-FREE FIT IS PROVIDED BETWEEN ALL COMPONENTS. MAKE SURE NOT TO OVER-SHORTEN THE COLLAR, OR BINDING IN THE RADIAL BALL BEARINGS WILL OCCUR WHEN FULLY ASSEMBLED. FULLY-TIGHTEN THE ASSEMBLY WHEN FINISHED.**

STEP 3: ASSEMBLE THE PERFORMANCE TAIL CONTROL MECHANICS AS SHOWN IN THE DIAGRAM. APPLY MEDIUM-STRENGTH LOCTITE (BLUE 243 OR EQUIVALENT) TO THE OUTER SURFACE OF THE F683ZZ FLANGED RADIAL BALL BEARINGS DURING INSTALLATION. INSTALL THE M3 BUTTON HEAD SOCKET HEAD CAP SCREWS AS SHOWN.

LEAVE SCREWS LOOSELY INSTALLED UNTIL STEP 4.

STEP 4: INSTALL BOTH ASSEMBLIES AND CHECK FOR SMOOTH OPERATION OF ALL COMPONENTS. PROCEED TO TIGHTEN ALL SCREWS TO COMPLETE INSTALLATION AND ENJOY THE NEW SLOP-FREE AND PRECISION-CONTROL TAIL SYSTEM.



www.KDEDirect.com
AT700-PTC-V2