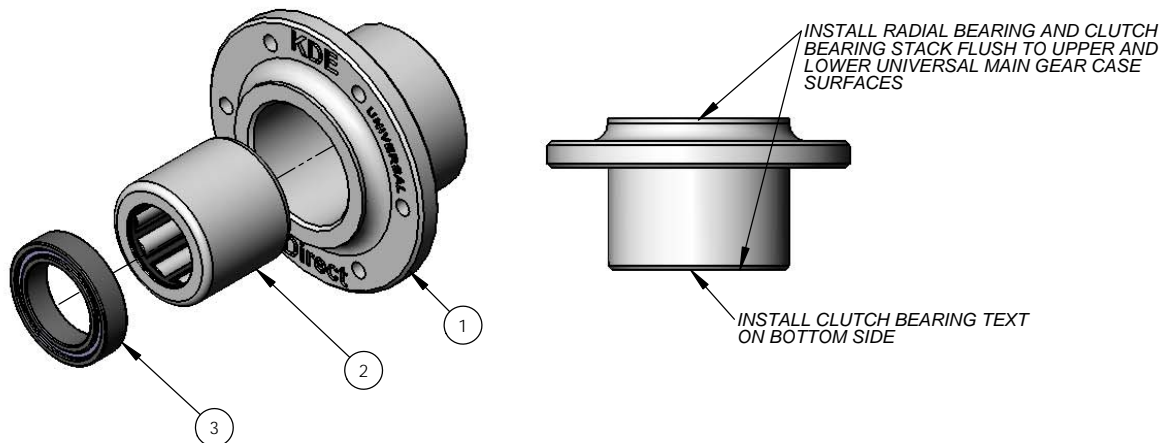


TREX550/600 UNIVERSAL MAIN GEAR CASE UPGRADE AT550/600-UMGC (AL 6061-T6)

STEP 1: RADIAL BALL AND ONE-WAY CLUTCH BEARING INSTALLATION

NOTE: COMPONENTS PRE-INSTALLED AT PRODUCTION FACILITY



ITEM NO.	DESCRIPTION	QTY.
1	TREX 550/600 SERIES T700 UNIVERSAL MAIN GEAR CASE	1
2	KDE DIRECT TREX 550/600/600N SERIES HIGH-PERFORMANCE ONE-WAY DRAWN CUP CLUTCH BEARING, HF1216	1
3	6701ZZ RADIAL BALL BEARING 12 x 18 x 4.0MM	1
4	M3 x 0.5 x 6MM BUTTON HEAD SOCKET HEAD CAP SCREW	6
5	KDE DIRECT TREX 700 SERIES NYLATRON MAIN DRIVE GEAR (PURCHASE SEPARATELY)	1

NOTE: THE UNIVERSAL MAIN GEAR CASE HAS BEEN PRE-ASSEMBLED AT THE PRODUCTION FACILITY FOR ACCURATE ALIGNMENT AND OPTIMAL FLIGHT CHARACTERISTICS. PROPER SURFACE TREATMENT AND LOCTITE 680 WAS USED BETWEEN COMPONENTS TO PREVENT SLIPPAGE DURING FLIGHT.

OPTIONAL INSTALL: THE MAIN GEAR CASE CAN BE USED WITH THE **KDE DIRECT TREX 700 SERIES MAIN DRIVE GEARS** FOR UNPRECEDENTED STRENGTH CAPABILITY FOR HIGH-POWER, HIGH-VOLTAGE TREX 550/600 SETUPS (APPROPRIATE MOD1.0 PINION SOLD SEPARATELY). TIGHT TOLERANCES BETWEEN THE MAIN DRIVE GEAR AND MAIN GEAR CASE ARE USED TO MAINTAIN PERFECT CONCENTRICITY WITH THE GEAR.

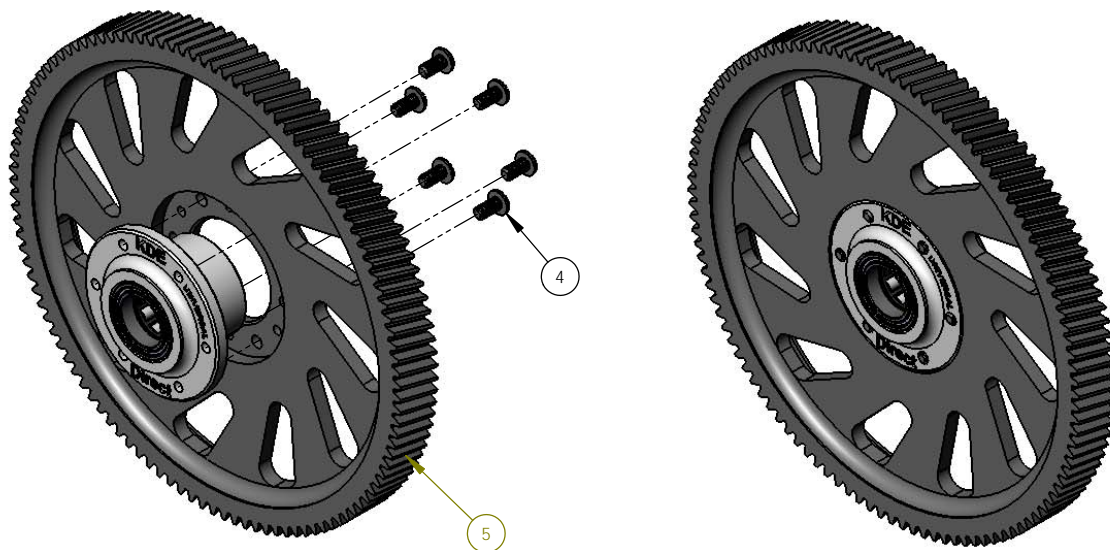
IMPORTANT NOTICE: THE AT550/600-UMGC UPGRADE IS COMPATIBLE WITH THE FOLLOWING STOCK ALIGN COMPONENTS:

MOD 0.8 TAIL GEARING
BEARING SHAFT: H60139A, TREX600P ONE-WAY BEARING SHAFT
AUTOROTATION GEAR: H60198, TREX600P M0.8 AUTOROTATION TAIL DRIVE GEAR
TORQUE TUBE GEAR: H60228, TREX600P M0.8 TORQUE TUBE FRONT DRIVE GEAR SET

MOD0.7 TAIL GEARING
BEARING SHAFT: H60139A, TREX600P ONE-WAY BEARING SHAFT
AUTOROTATION GEAR: H60020A, TREX600 M0.7 AUTOROTATION TAIL DRIVE GEAR
TORQUE TUBE GEAR: H60121, TREX600 M0.7 TORQUE TUBE FRONT DRIVE GEAR SET
BELT DRIVE GEAR: H60078, TREX600 M0.7 METAL TAIL DRIVE GEAR ASSEMBLY

OPTIONAL

STEP 2: KDE DIRECT TREX 700 SERIES MAIN DRIVE GEAR INSTALLATION



www.KDEDirect.com



www.KDEDirect.com
AT550/600-UMGC