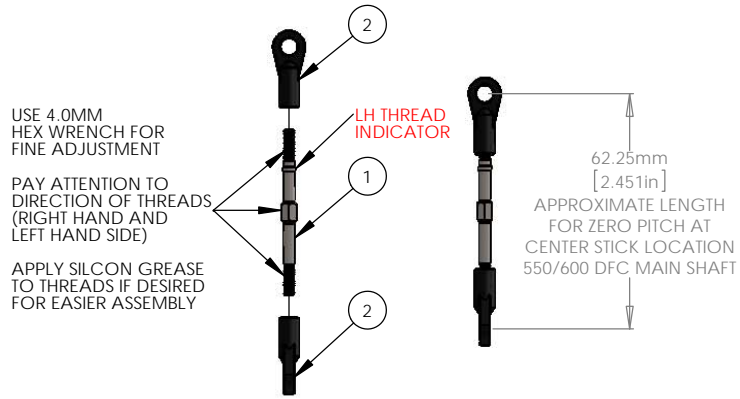


TREX550/600 SERIES SXT MAIN ROTOR HEAD SYSTEM AT550/600-SXTS (AL 6061-T6, SS 303)

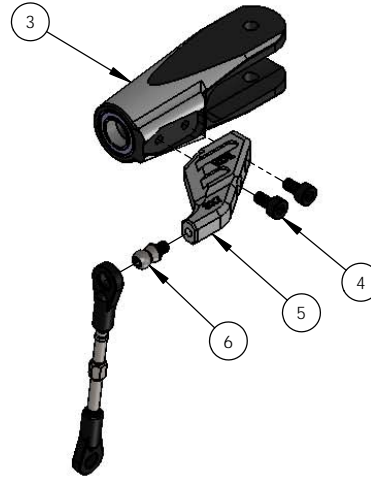
STEP 1

ASSEMBLE SXT MAIN ROTOR GRIP CONTROL LINKS



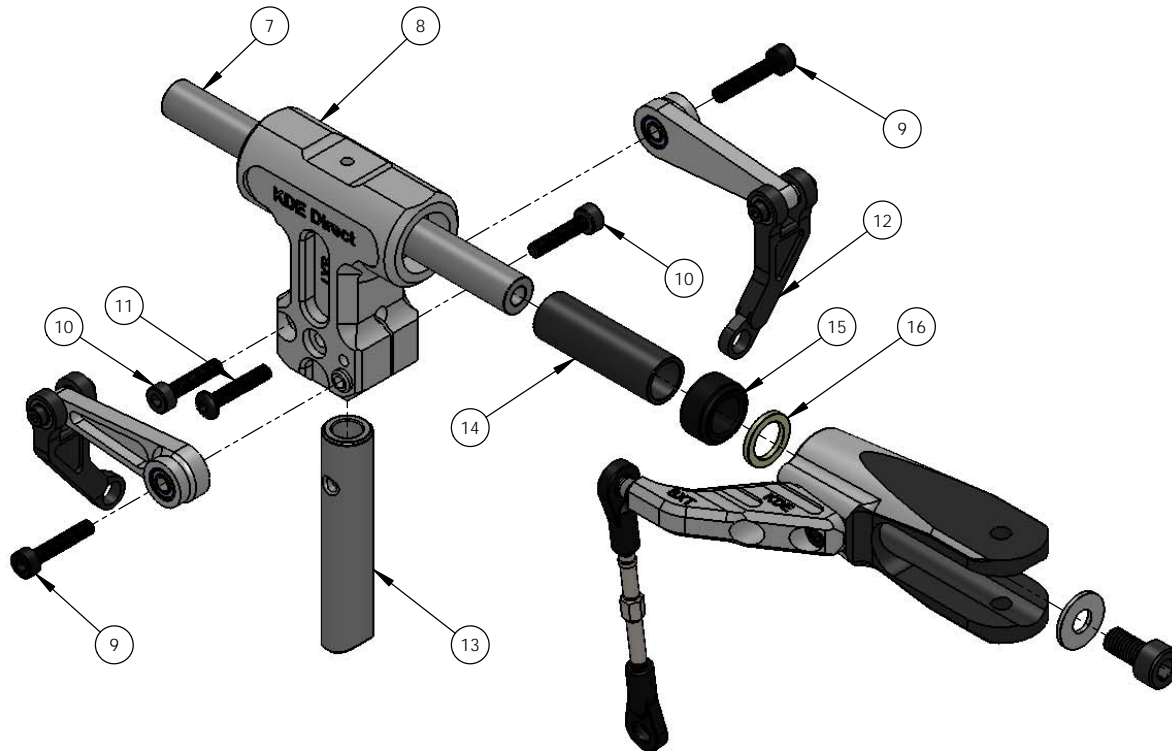
STEP 2

ASSEMBLE SXT MAIN ROTOR HOLDER ARMS



STEP 3

ASSEMBLE SXT MAIN ROTOR HEAD SYSTEM



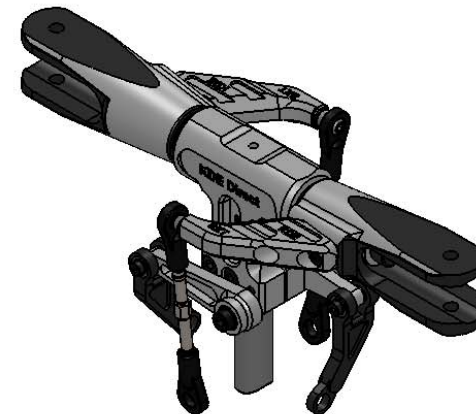
ITEM NO.	DESCRIPTION	QTY.
1	KDE DIRECT 550/600 SERIES CONTROL LINK TURNBUCKLE, SXT (STAINLESS STEEL, 4.0MM x M3 x 43.875MM)	2
2	KDE DIRECT 550/600/700/800 SERIES BALL LINK, HEAVY-DUTY, 4.95MM	4
3	ALIGN TREX 550/600 SERIES METAL MAIN ROTOR HOLDER (PROVIDED IN ORIGINAL KIT OR SOLD SEPARATELY, H60204)	2
4	M3 x 0.5 x 6MM SOCKET HEAD CAP SCREW	4
5	KDE DIRECT TREX 550/600 SERIES MAIN ROTOR HOLDER ARM, SXT	2
6	KDE DIRECT 550/600/700/800 SERIES CONTROL LINKAGE BALL, SXT (STAINLESS STEEL, 5.0MM x M3)	2
7	ALIGN TREX 550/600 SERIES FEATHERING SHAFT (PROVIDED IN ORIGINAL KIT OR SOLD SEPARATELY, H60H001XX)	1
8	KDE DIRECT TREX 550/600 SERIES FLYBARLESS MAIN ROTOR HOUSING, SXT	1
9	M3 x 0.5 x 16MM SOCKET HEAD CAP SCREW	2
10	M3 x 0.5 x 14MM SOCKET HEAD CAP SCREW	2
11	M3 x 0.5 x 16MM BUTTON HEAD SOCKET HEAD CAP SCREW	1
12	ALIGN TREX 500/600 SERIES FLYBARLESS WASHOUT ARM ASSEMBLY (PROVIDED IN ORIGINAL KIT OR SOLD SEPARATELY, HN6119CF)	2
13	ALIGN TREX 550/600 SERIES DFC MAIN SHAFT (PROVIDED IN ORIGINAL KIT OR SOLD SEPARATELY, H60243 OR H60247/ESP)	1
14	ALIGN TREX 550/600 SERIES FEATHERING SHAFT SLEEVE (PROVIDED IN ORIGINAL KIT OR SOLD SEPARATELY, HN6061-1)	1
15	ALIGN TREX 550/600 SERIES HEAD DAMPER (PROVIDED IN ORIGINAL KIT OR SOLD SEPARATELY, HN6061-1)	2
16	ALIGN TREX 550/600 SERIES MAIN ROTOR HOLDER SPACER (PROVIDED IN ORIGINAL KIT OR SOLD SEPARATELY, H60204)	2

NOTE: THE SXT MAIN ROTOR HEAD SYSTEM ENCOMPASSES THE LATEST TECHNOLOGIES FOR OPTIMUM AND ROBUST SETUP OF THE FLYBARLESS MECHANICS. INSTALLATION IS RELATIVELY SIMPLE AND WITH THE CNC-MACHINED TURNBUCKLE LINKAGES, PRECISE PITCH CONTROL AND BLADE TRACKING CAN BE ACHIEVED.

STEP 1: ASSEMBLE THE SXT MAIN ROTOR GRIP CONTROL LINKS AS SHOWN. THREADS ARE OPPOSITE DIRECTION (CLOCKWISE AND COUNTERCLOCKWISE), ALLOWING FOR ADJUSTMENT WITH A 4.0MM HEX WRENCH WHEN INSTALLED. M3 THREADS ARE UTILIZED FOR HIGH-STRENGTH AND DURABILITY.

STEP 2: ASSEMBLE THE SXT MAIN ROTOR HOLDER ARMS AS SHOWN. APPLY LOCTITE (243 OR EQUIVALENT) TO ALL METAL-METAL FASTENERS.

STEP 3: ASSEMBLE THE SXT MAIN ROTOR HEAD SYSTEM AS SHOWN. FOR MORE INFORMATION ON FULL INSTALLATION OF THE ALIGN MAIN ROTOR HOLDERS, PLEASE REFER TO THE ORIGINAL ALIGN MANUAL PROVIDED WITH YOUR KIT. FULLY TIGHTEN ALL HARDWARE AND MAKE SURE TO APPLY LOCTITE (243 OR EQUIVALENT) TO ALL METAL-TO-METAL FASTENERS. DO NOT OVERTIGHTEN THE M3 X 0.5 X 16MM SOCKET HEAD CAP SCREWS ATTACHING THE ALIGN FLYBARLESS WASHOUT ARMS TO PREVENT CRUSHING THE BEARINGS AND INTERNAL SPACER WITHIN THE STOCK ARM ASSEMBLIES.



www.KDEDirect.com
AT550/600-SXTS