

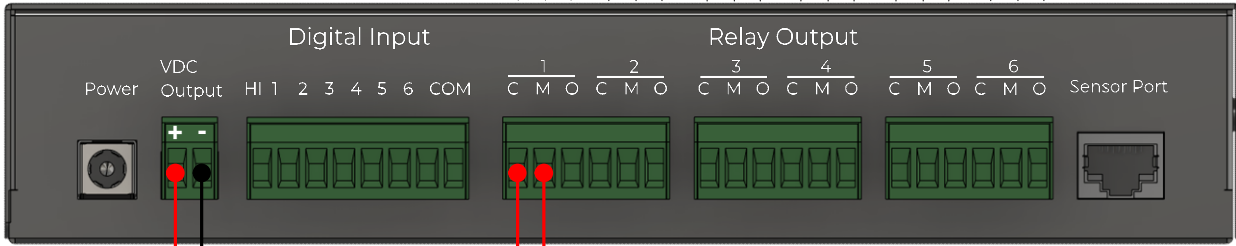
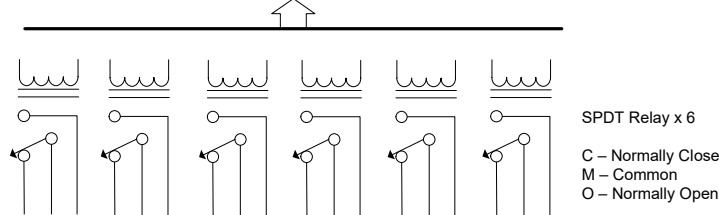
8 7 6 5 4 3 2 1

H
G
F
E
D
C
B
A

H
G
F
E
D
C
B
A

Internal Circuit

Relay Control Circuit

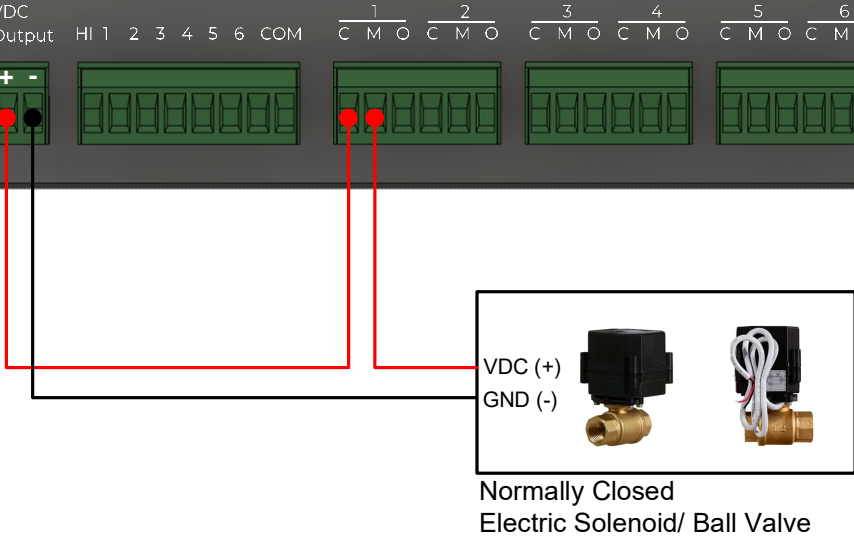


Relay Output Wiring Example:

The relay output ports can be used to switch ON/OFF DC signals. Switch the VDC Output (12V/4A) or feed in external signals that need automated control.

Scheduling and event-based automation can be configured on the SynLink management interface.

This is a wiring example setup for a normally closed electric valve. If power is applied to the valve, the valve will open and allow flow. If power is removed from the valve, the valve will close and stop flow.



Smart IO Hub Relay Output	Electric Valve Control		
	Wiring Example		
Synaccess LLC	Phase	Encl/Outlets/FF	DRAWN BY VM
08/21/2023	SCALE 1:1		REV V1.1
		SHEET	1 OF 1

8 7 6 5 4 3 2 1