

Specifications

| | |
|--------------------|-----------------|
| Bluetooth Protocol | Version 5.3 |
| Noise Cancellation | ANC & ENC |
| Range | 10 Meters |
| Talking Time | Up to 20 Hours |
| Standby Time | Up to 100 Hours |
| Weight | 180 g |
| Battery | Li-ion Battery |
| Charging Time | 2 Hours |



User's Manual

Use with Cellphone

Pairing

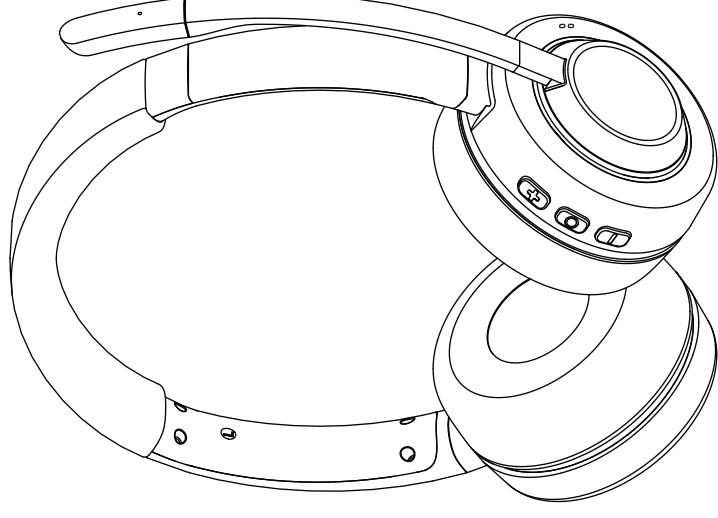
- 1.**Power on the headset.
The headset reports "Power On".
The light flashes red and blue alternately.
- 2.**Activate cellphone's Bluetooth function.
Search for the available Bluetooth devices.
- 3.**Select "Yapalong" from the list.
"Yapalong" is shown in your Bluetooth device list once it is connected.
The headset reports "Connected".

Answer A Call

The headset will ring when a call dials in.
Click Power button to receive the call.

Play Music

Click Power button to play the music.
Click again stop the music.

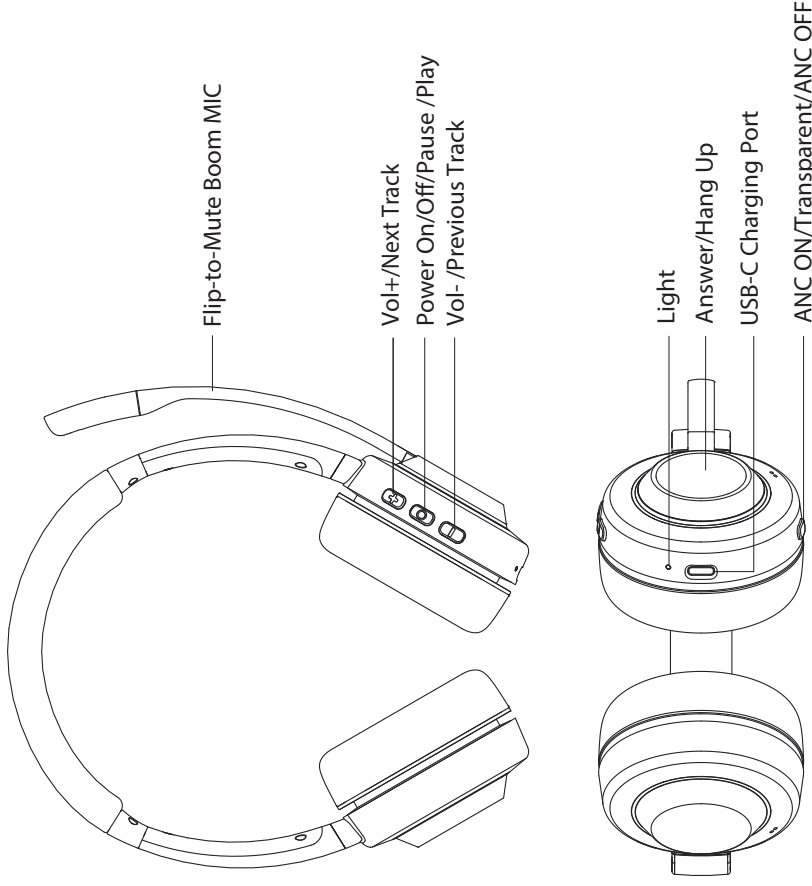


- ANC
- ENC
- Flip-to-Mute



7895 Trimmere Dr., Unit 13,
Mississauga, Ontario L5S 1V9
Canada
info@yapalong.com
1-(905)-405-0300 V0

Diagram



Light Indications:

- Solid Red, charging
- Solid Blue, charging is complete
- Flashing Red, battery is low
(With one "beep" every minute)

Pairing & Usage

Note: before starting, please turn off all the Bluetooth devices in the surroundings.

Power on both the Yapalong6000 radio and the headset, and you will find any of the following 3 states of the green Bluetooth light on the RADIO, not the headset:

State1 Off

It indicates that the radio has detected its paired headset. No pairing is required.

State2 Flashing slowly

It indicates that the radio has a paired headset but cannot detect it. The radio will not pair in this state. Press both the Settings and Bluetooth buttons to remove the memory of the paired headset, the light will show the following state:

State3 Flashing quickly

It indicates that the radio has no paired headset. It is ready to pair and will pair automatically

During pairing, make sure the headset is in pairing mode: it reports, "Pairing...", and its light is flashing red and blue alternately.

If the headset is not in pairing mode, please restart it.

After 5 seconds or more, the green Bluetooth light on the radio will be off, the headset will report "Connected", and the light on the headset will turn solid blue, which indicates both are paired.

Notes:

This headset transmits low-power Bluetooth signals to the radio. Please place the radio at the right side of your body to avoid body blocking to the Bluetooth signals.

Please charge your Bluetooth headset FULLY if it is used for the first time.

Charge once a month if the headset is not used often for longer battery life.