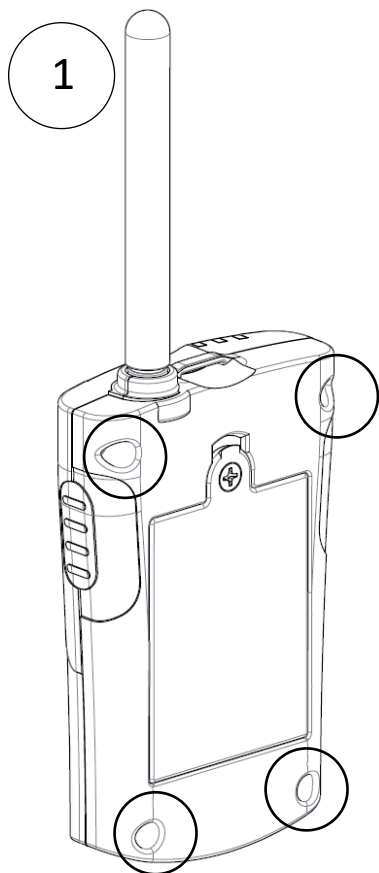
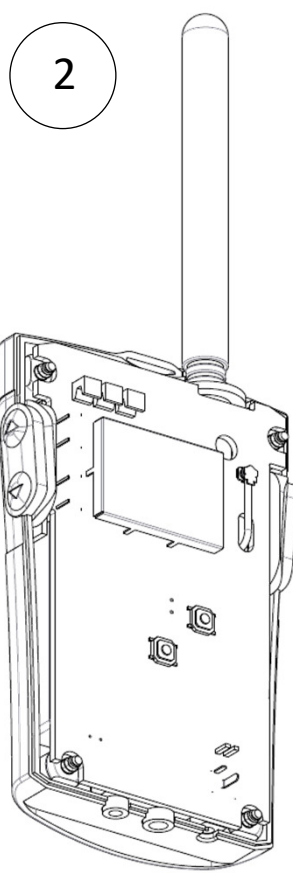


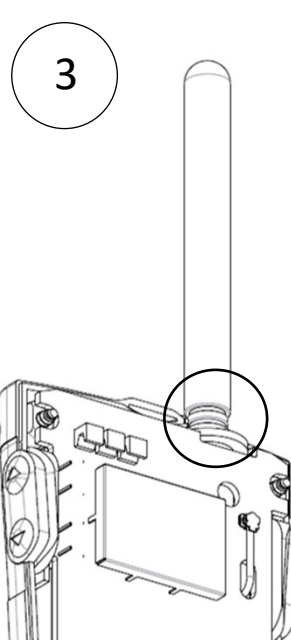
Instruction to Replace Antenna Cover



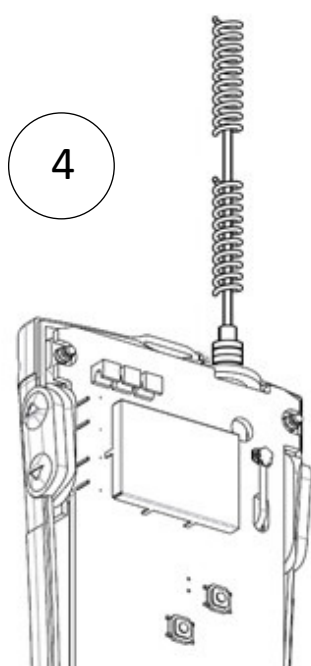
Remove the 4 screws shown



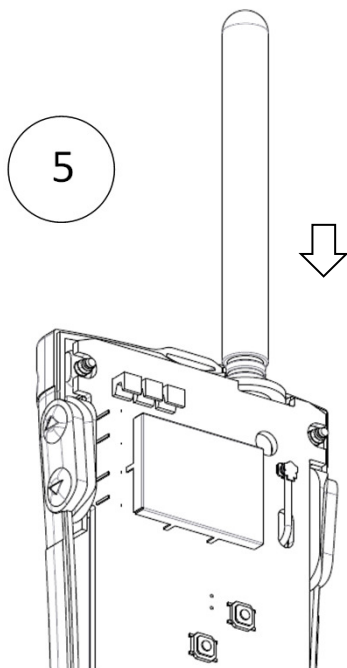
Remove the front housing



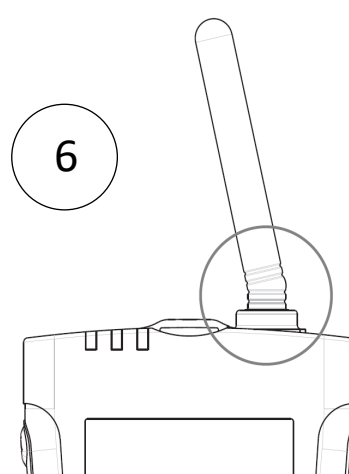
Use a knife or a pointy wire cutter to carefully destroy the root of the antenna cover



Remove the damaged cover gently



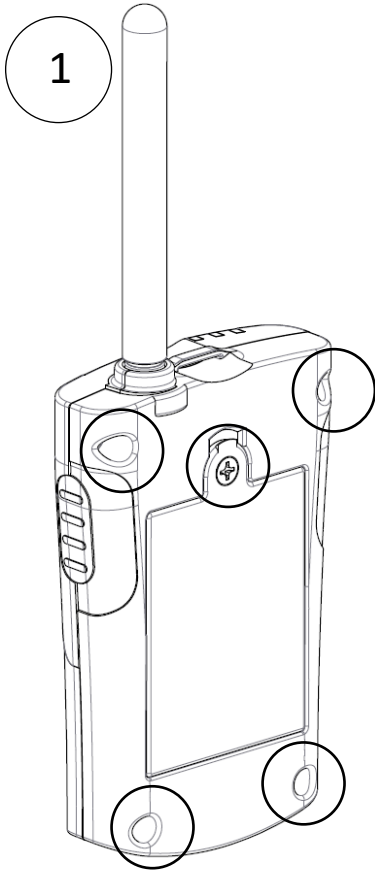
Push the new antenna cover over the striped antenna firmly



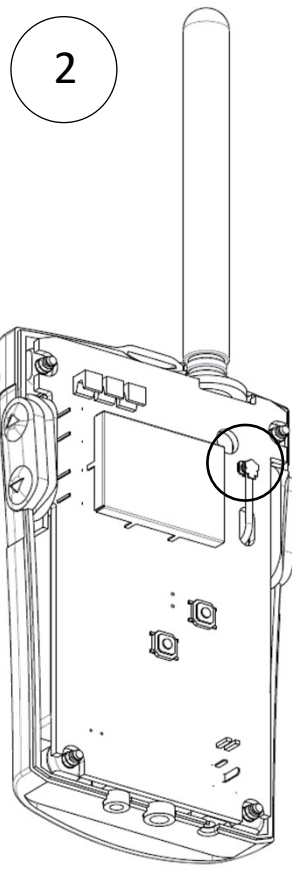
Reinstall the front housing

Bend the root of the antenna left, right, front and back once each direction slowly, at about 80 degrees. This operation is to prevent the snap of antenna cover under impact.

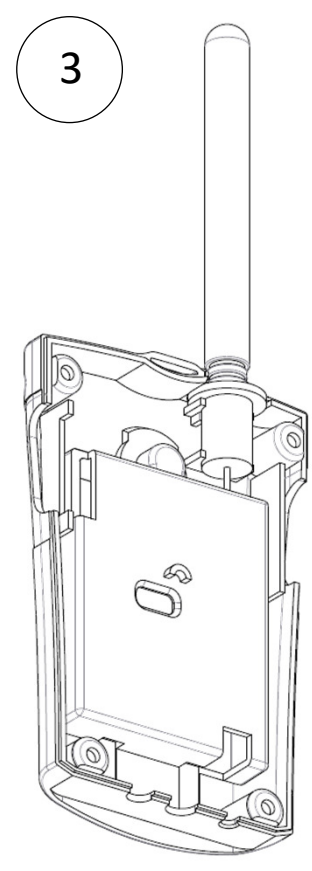
Instruction to Replace Antenna



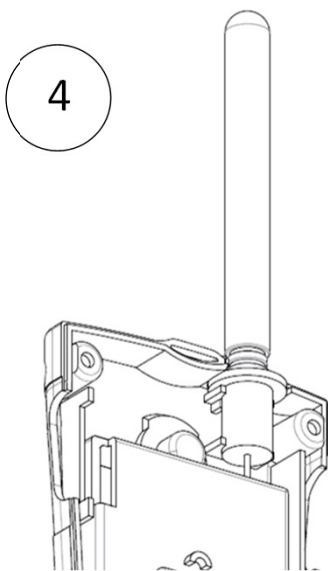
- 1 Remove the battery cover
- 2 Remove the battery from the battery compartment
- 3 Remove the 4 screws shown



- 1 Remove the front housing
- 2 Unplug the antenna cable shown gently from circuit board
- 3 Remove the circuit board

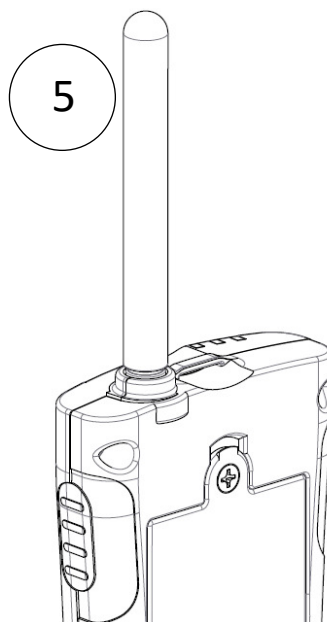


Pry out antenna gently using a screw driver

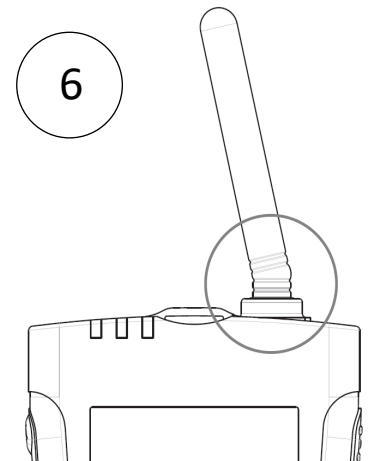


Install the new antenna.

Gently hammer the brass base of the antenna until it sits firmly



Reverse the previous steps to assemble the radio



Bend the root of the antenna left, right, front and back once each direction slowly, at about 80 degrees. This operation is to prevent the snap of antenna cover under impact.