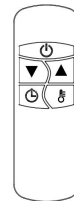
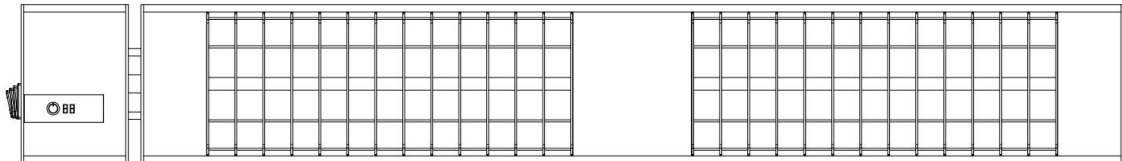




# Carbon Infrared Heater Indoor/Outdoor 3000 Watts



## Owner's Manual Model No.: DR-239

### **READ AND SAVE THESE INSTRUCTIONS**

Carefully read and review before attempting to assemble, install, operate, or maintain this product. Observe all safety instructions and information.

**FAILURE TO FOLLOW WARNINGS & OPERATIONAL INSTRUCTIONS  
CONTAINED IN THIS MANUAL CAN RESULT IN SEVERE  
PROPERTY DAMAGE AND/OR PERSONAL INJURY.**

### **DO NOT RETURN TO PLACE OF PURCHASE!**

Please contact our Toll Free Hotline:

**(800) 317-1688**

for customer service & warranty issues

# Warning

**THESE INSTRUCTIONS SHOULD BE READ CAREFULLY AND RETAINED FOR FUTURE REFERENCE,**  
We cannot be liable for any damages caused by failure to observe these instructions.

## **IMPORTANT INSTRUCTIONS**

READ CAREFULLY-The infrared heater is designed for safe operation. Nevertheless, installation, maintenance and operation of the heater can be dangerous. Observing the following procedures will reduce the risk of fire, electric shock, injury to person and keep installation time to a minimum.

When using electrical appliances, basic precautions should always be followed to reduce the risk of fire, electric shock, and injury to persons, including the following:

1. Read all instruction before using this heater.
2. Remove the unit form it's packaging and check to make sure it is in good condition before using.
3. Do not let children play with parts of package (such as plastic bags).
4. Check the household voltage to ensure it matches the heater's rated specification.
5. Check the power cord and plug carefully before used, to make sure that they are not damaged
6. Before unplugging the power cord, be sure to turn off the power, when energizing the unit, be sure your hands are day to prevent form electric shock.
7. Do not use flammable objects near or point the heater like furniture, pillows. Bedding, paper, cloths and curtains at least 3 feet (1meter) form the front of the heater and keep them always the sides and rear.
8. Do not use near or in the immediate vicinity of a bath or swimming pool or any source of liquid.
9. To protect against electric shock, do not immerse cord or plug in water or any other liquid.
10. Do not insert or allow foreign objects to enter any ventilation or exhaust opening, as this may cause an electric shock, fire or damage to the heater.
11. Always unplug the heater when not in use.
12. Do not allow cord to overhang the counter top where it can be easily pulled by children.
13. Do not put fingers or foreign objects into the grill while in operation.
14. Do not leave the appliance unattended when in use.
15. This heater is not intended for use in bathrooms, laundry and similar indoor locations, never located heater where it may fall into a bathtub or other water container.
16. No liability can be accepted for any damage caused by non-compliance with these instructions or any other improper use or mishandling.
17. This appliance is not intended for use by persons (including children) with reduces physical, sensory or mental capabilities or lack of experience and knowledge unless they have been given supervision or instruction concerning the use of the appliance by a person responsible for their safety. Children ad vulnerable people should be supervised to ensure they do not play with the appliance.
18. If the supply cord is damaged in any way, it must be replaced by the manufacturer or its service agent or a similarly qualified person in order to avoid a hazard.

19. If the supply cord is damaged in any way, it must be replaced by the manufacturer or its service agent or a similarly qualified person in order to avoid a hazard.
20. Parts of the heater may exceed 200°C, Contact with the heating tube, reflector, or metal parts near the heating tube, may cause severe BURNS. To avoid burns, do not let bare skin touch hot surface.
21. ALWAYS allow the heating element to cool at least 10 minutes before touching the heating tube or adjacent part
22. This product contains recyclable materials. Do not dispose of this product as unsorted municipal waste. Please contact your local municipality for the nearest collection point.
23. This heater is hot when in use. To avoid burns, do not let bare skin touch hot surfaces. Keep combustible materials, such as furniture, pillows, bedding, papers, clothes, etc. and curtains at least 3 feet (0.9 m) from the front of the heater and keep them away from the sides and rear
24. Extreme caution is necessary when any heater is used by or near children or invalids and whenever the heater is left operating and unattended.
25. Do not operate any heater after it malfunctions. Disconnect power at service panel and have heater inspected by a reputable electrician before reusing.
26. To disconnect the heater, turn controls off, and turn off power to the heater circuit at the main disconnect panel (or operate an internal disconnect switch if provided).
27. Do not insert or allow foreign objects to enter any ventilation or exhaust opening as this may cause an electric shock or fire, or damage the heater.
28. To prevent a possible fire, do not block air intakes or exhaust in any manner.
29. A heater has hot and arcing or sparking parts inside. Do not use it in areas where gasoline, paint, or flammable vapors or liquids are used or stored.
30. Use this heater only as described in this manual. Any other use not recommended by the manufacturer may cause fire, electric shock, or injury to persons.

## SAVE THESE INSTRUCTIONS

### Introduction

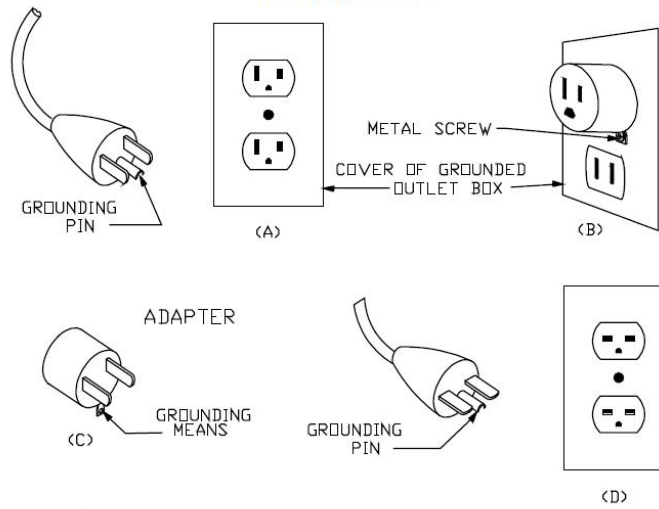
The DR-239 carbon infrared heater produces instant and comfortable heat like the sun. This robust and weather-proof heater is designed for domestic and commercial heating applications within indoor and outdoor areas.

Model	DR-239
Voltage(V)	240V AC
Wattage(W)	3000W
Hertz (Hz)	60
Dimensions W×H×D(in.)	41.2 x 5.90 x 3.37
Weight (lb)	7.6

### Minimum 16 amps circuit outlet required

This heater is for use at 240 volts. The cord has a plug as shown in D in Figure 60.1. No adapter is available for this blade configuration, and none should be used. The type outlet is a 240 volt grounding outlet. When properly installed, it provides a ground connection through the cord to the heater to protect the operator from electric shock.

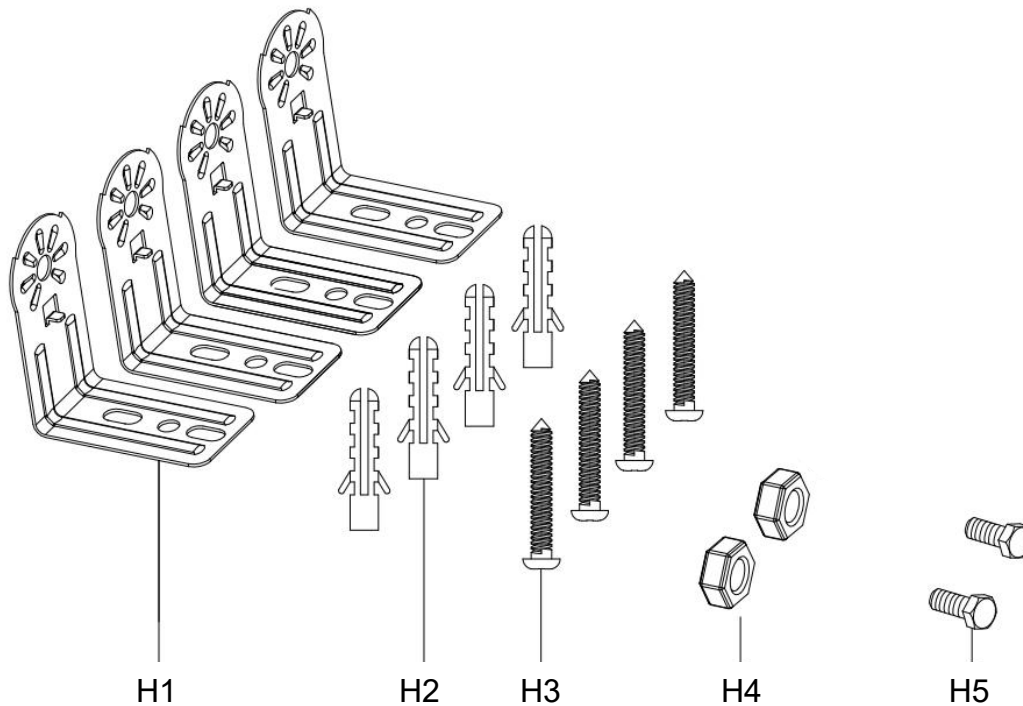
Figure 60.1  
Grounding methods



AA210

# Mount Instruction

## Required hardware contents



No.	Desc.	Qty
H1	L shaped bracket	4
H2	Plastic anchor	4
H3	Screw	4

No.	Desc.	Qty
H4	Nut	2
H5	Screw	2

**Attention: Digital display position should be on left for correct installation direction**

1. Mark the locations using the provided dimensions in Fig - 1a and using the holes on the L-shaped bracket as a guide. Make sure the distance between 2 L-shaped brackets is 35mm/1.38". Mounting Height: maintain at least 2.4m / 7.9 ft distance between the heater and the floor.

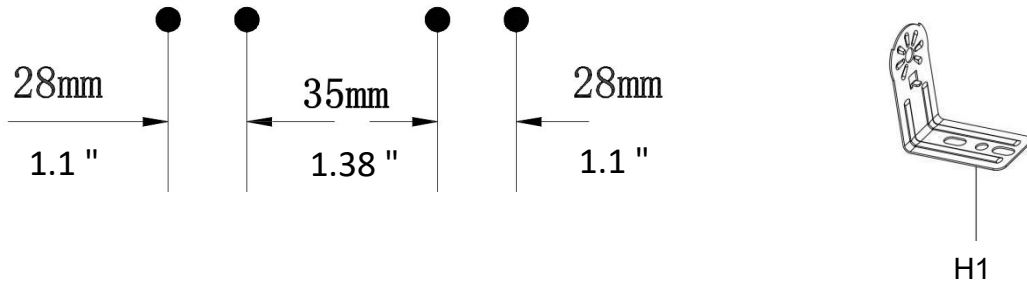


Fig - 1a

2. Drill holes with a smaller diameter drill bit than the plastic anchor (H2) as shown in Fig - 2a.

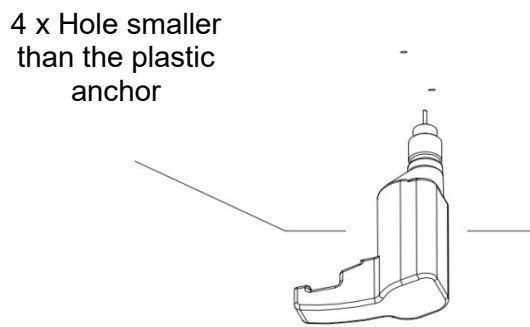
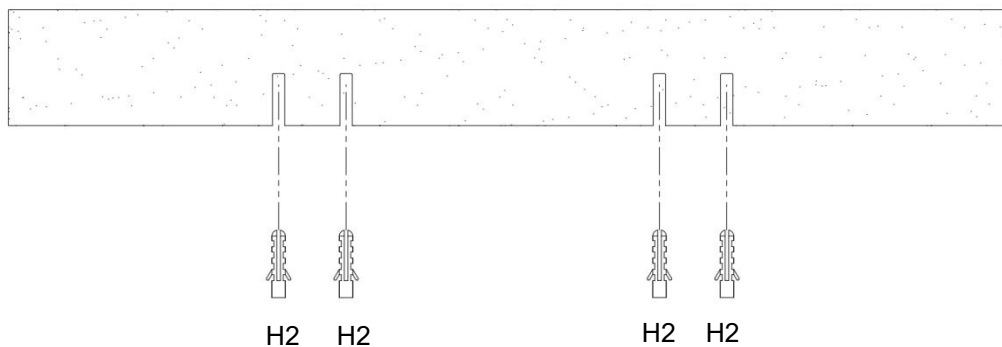


Fig - 2a

3. Insert the pointed end of the plastic anchor (H2) into the holes as shown in Fig - 3a, tap the anchor with a hammer until the anchor is flush.



4 x Plastic anchors flushed into 4 x holes

Fig - 3a

4. Using a screwdriver mount the assembled L-shaped bracket (H1) to the anchors using screws (H3) as shown in Fig - 4a.

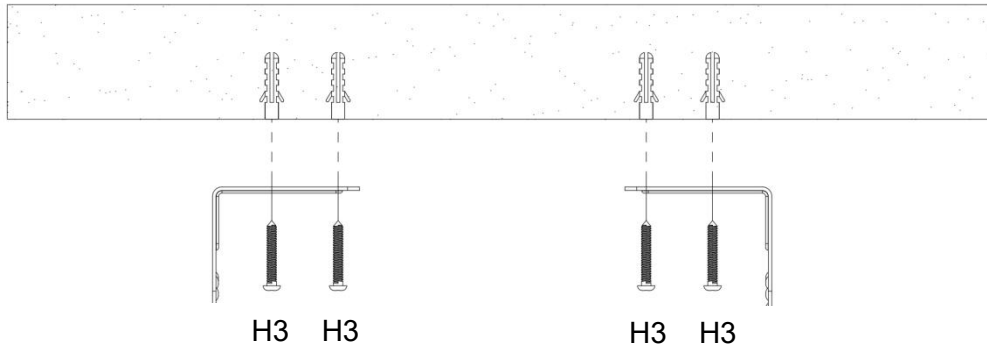


Fig - 4a

5. Take off the 4 screws on the back of the heater. And use the 4 screws to fasten the heater on the L-shaped bracket by screwdriver as shown in Fig - 5a.

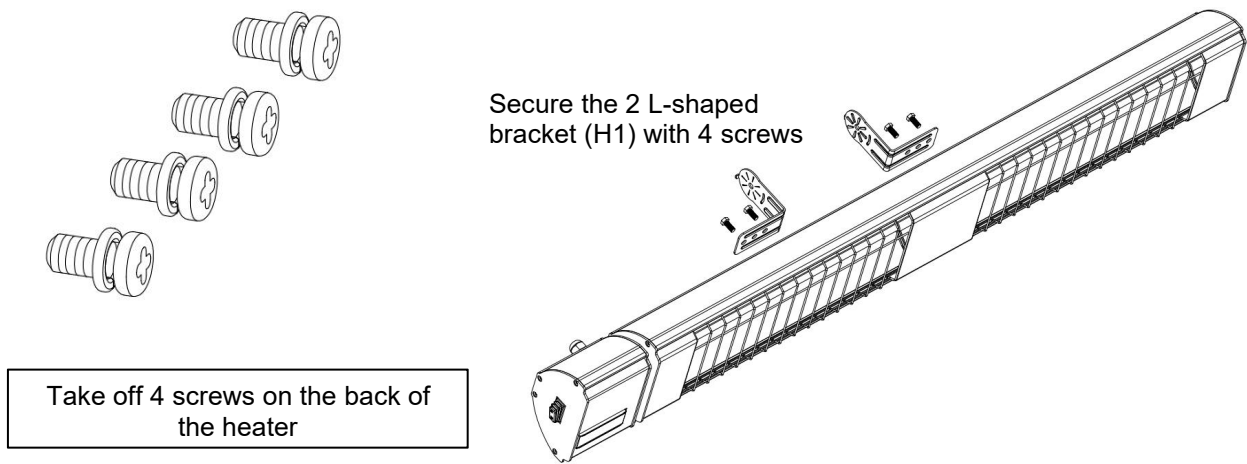


Fig - 5a

6. Assembly the 4 L-shaped brackets (H1) with 2 nuts (H4) and 2 screws (H5) as shown in Fig - 6a.

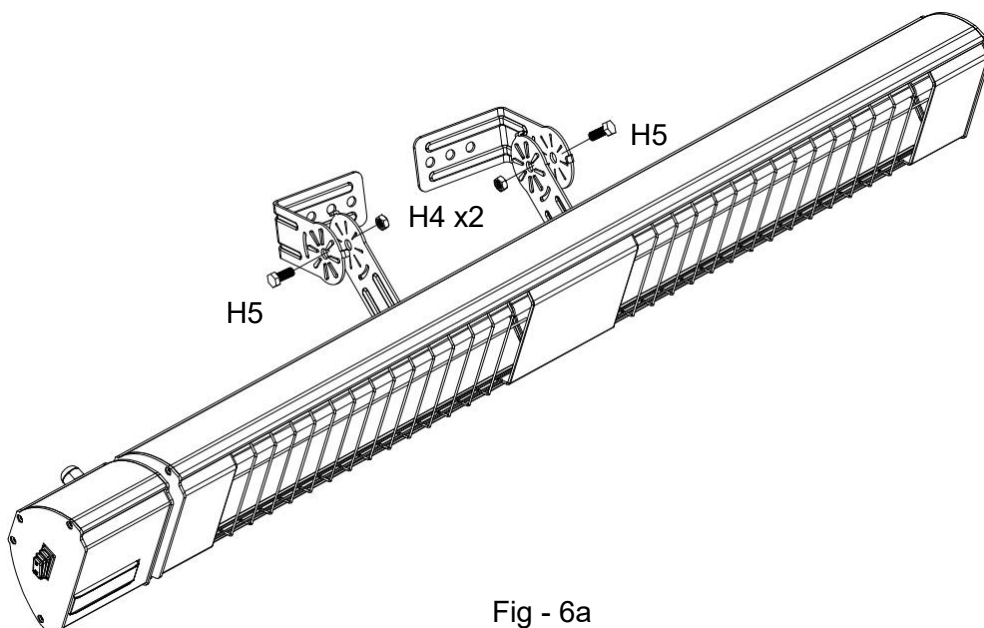


Fig - 6a

7. Mounting Height: maintain at least 2.4m / 7.9ft distance from the heater to the ground as shown in Fig - 7a, Fig - 7b, Fig - 8a, Fig - 8b.

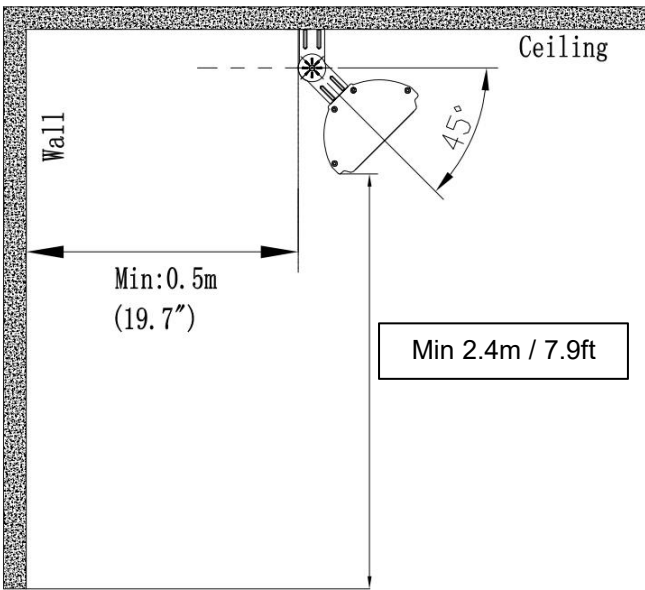


Fig - 7a

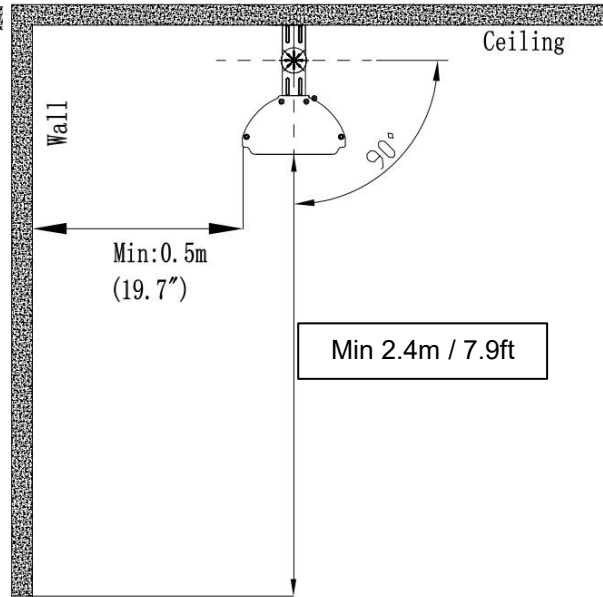


Fig - 7b

**For ceiling mounted: The heater's working angle is between 45° - 90°**

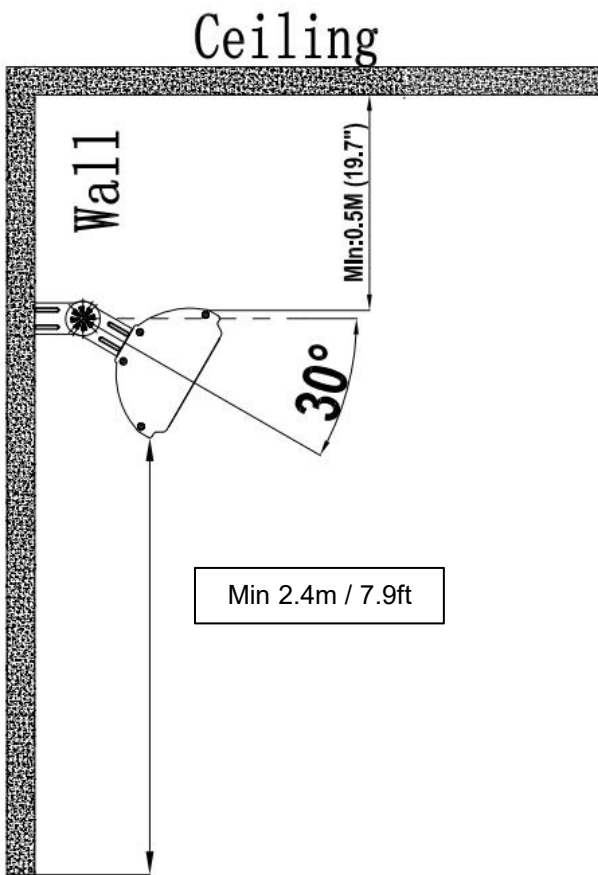


Fig - 8a

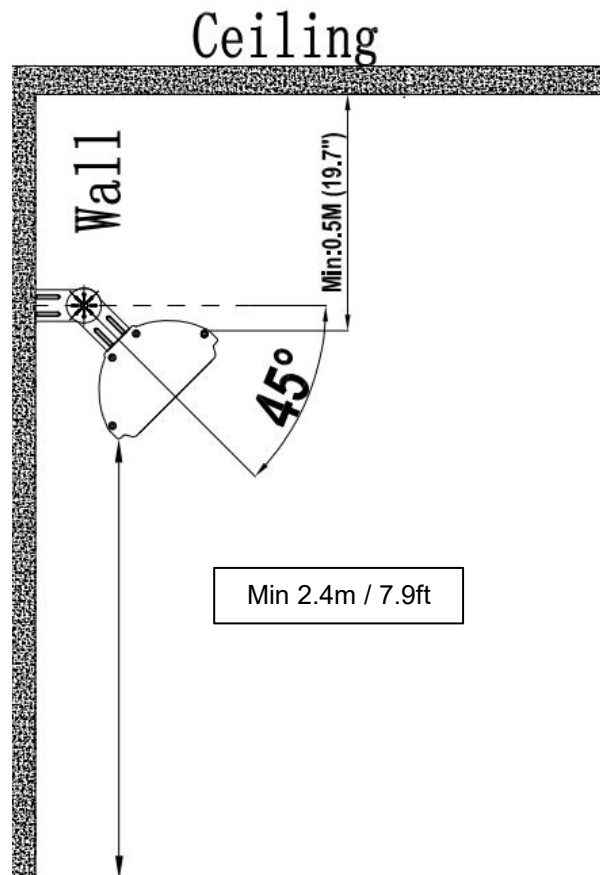
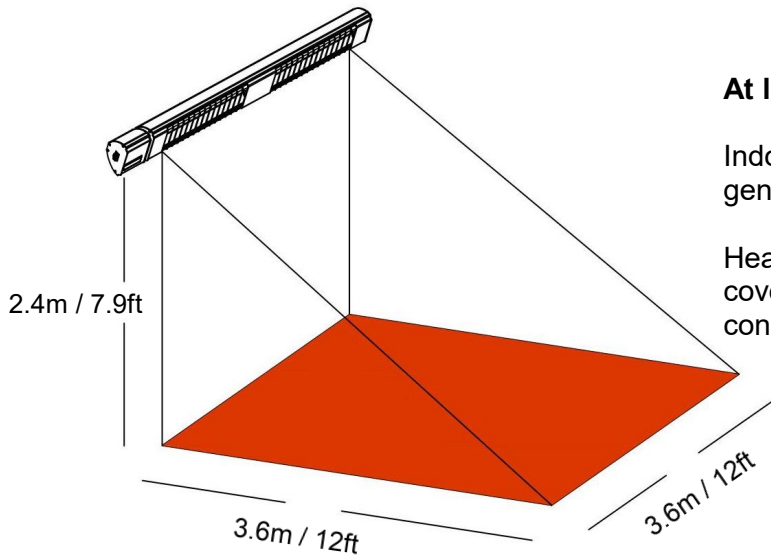


Fig - 8b

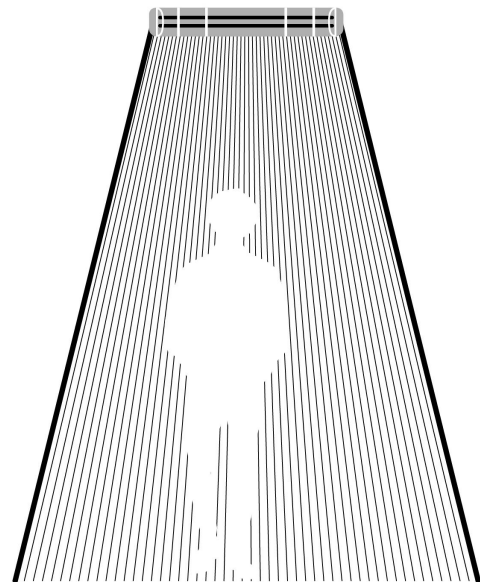
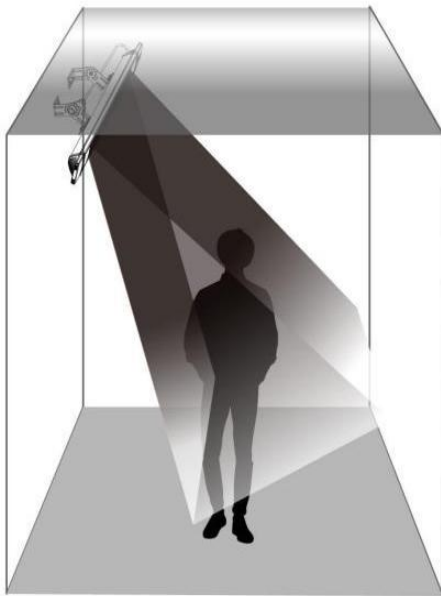
**For wall mounted: The heater's working angle is between 30° - 45°**



**At least 2.4m / 7.9 ft mounting height**

Indoor or well protected environments will generally exceed average coverage areas.

Heater can provide less than average coverage in extremely cold/windy conditions.



**WARNING**

**THE POWER CORD MUST PLUG INTO A GFCI OUTLET FOR OUTDOOR USE.**

**Ensure main power is OFF before commencing installation.**

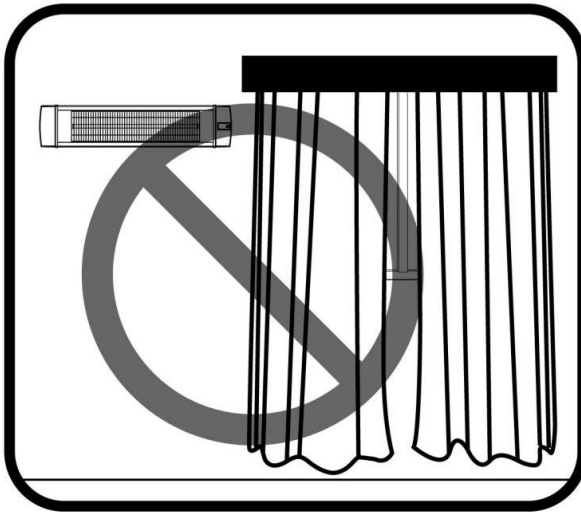
**The supplied main cable must not contact the surface of the heater during operation.**

**The mounting height and intensity should reflect the intended use of the heater.**

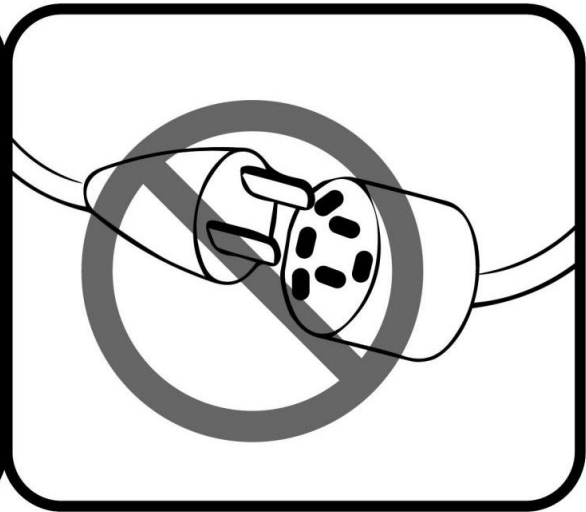




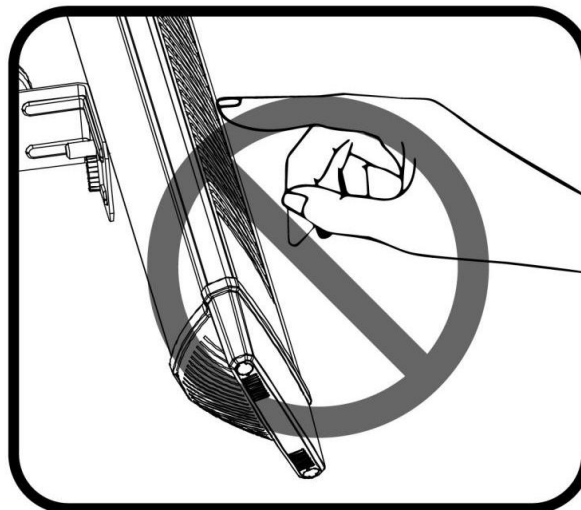
## Warning - to reduce the risk of fire



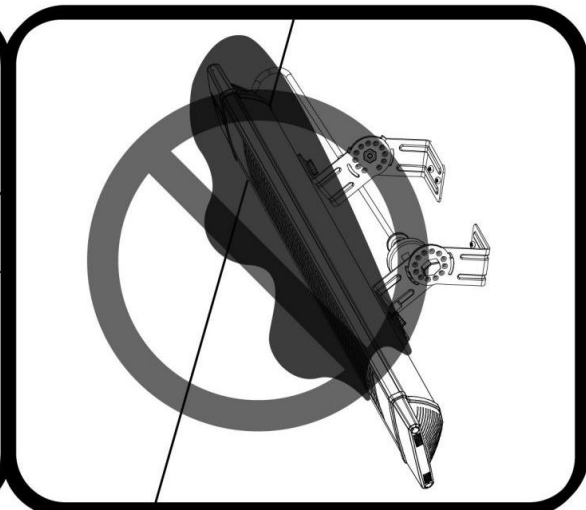
**Caution:** Keep combustible materials, such as furniture, pillows, curtains at least 3feet (0.9m) from the front of the heater and keep them away from the sides and rear.



**Caution:** Do NOT use with an extension cord or relocatable power tap (outlet/power strip).



**Caution:** Hot surface, do NOT touch.



**Caution:** Do NOT cover with any objects such as blanket on the heater.

# FUNCTION & OPERATION

- A) The heater must be properly installed before it is used.
- B) The heater can be used at well-protected outdoor area with a height 2.4 meters fixed mounted installed, user-operated devices intended to reduce the risk of fire, electric shock, or injury to persons; must follow instructions. Do not change the heater structure, it may cause a fire risk.
- C) Storage: PLUG-OFF, Store the heater in a cool, dry location when not in use to prevent dust and dirt build up. Use packaging carton to store
- D) Unplug the power cord for your safety before cleaning your appliance.
  - 1. Make sure the heater is cool before continuing
  - 2. To keep the heater clean, the outer shell may be cleaned with a soft, damp cloth. You may use a mild detergent if necessary. After cleaning, dry the unit with a soft cloth. (CAUTION: DO NOT let liquids enter the heater)
  - 3. DO NOT use alcohol, gasoline, abrasive powders, furniture polish, or rough brushes to clean the heater. This may cause damage or deterioration to the surface of the heater.
  - 4. DO NOT immerse the heater in the water
  - 5. Wait until the heater is completely dry before use.

## **Inserting Batteries (not included)**

Insert 2 AAA/ Alkaline type of batteries into your remote control.

Flip the backside of your remote control and pull out the battery cover. Insert the batteries in accordance with the instructions and polarity of the batteries.

Change the batteries in the same way depicted above.

## **NOTICE:**

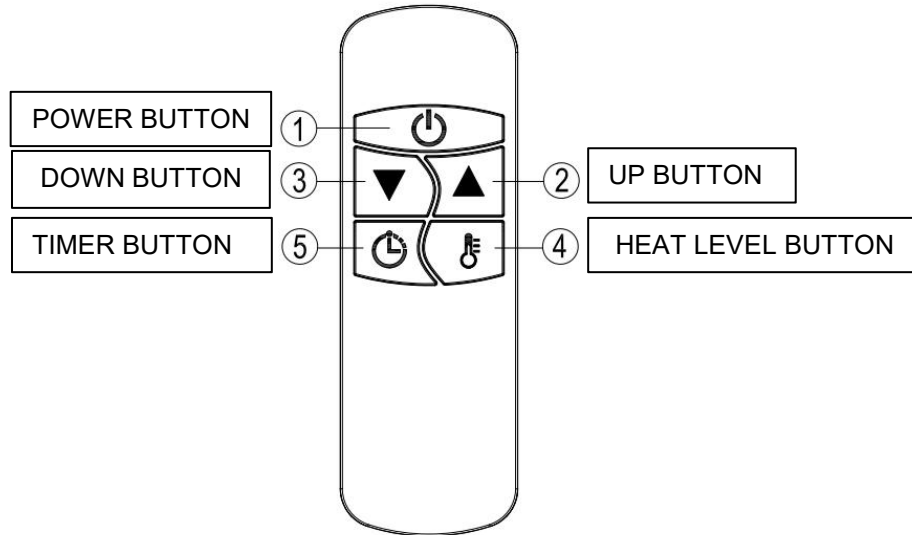
- 1. Replace the old batteries with the same type batteries. Otherwise, your heater may not function well.
- 2. Pull out the batteries if the heater is not in use for an extended period of time to prevent leakage which may impair your remote control.
- 3. Do not allow water or liquid to get into the remote control.

# OPERATING

## Operating unit with built-button

1. Apply power to the heater. The heater will be on standby mode display (- -) on the LED screen.
2. Press the button on the unit to cycle through the functions, heat levels (L1 - L2), standby, and off.

## Remote Control Instructions



**POWER BUTTON:** Turn the heater off.

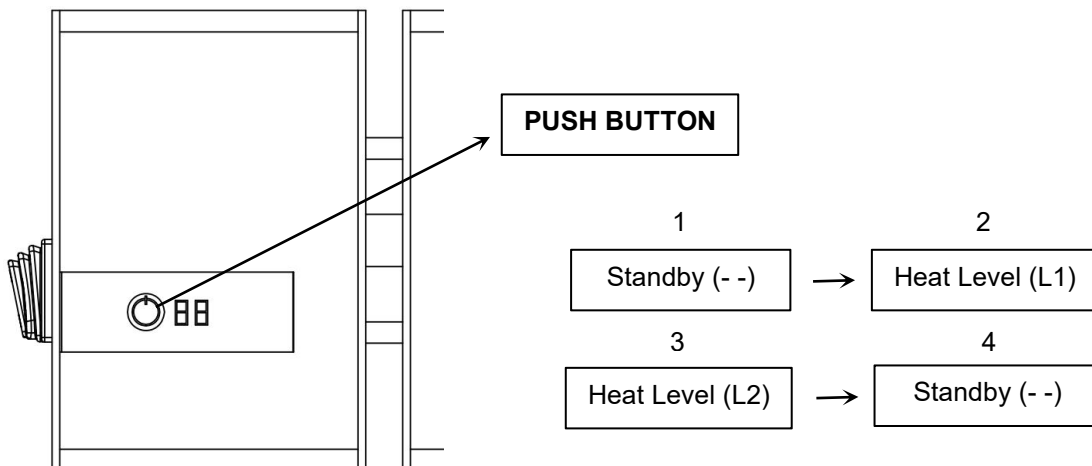
**UP BUTTON:** Increase timer or heat level.

**DOWN BUTTON:** Decrease timer or heat level.

**HEAT LEVEL BUTTON:** Use to initiate the heat levels change. Press the Heat Level button then use the up and down buttons (buttons 2 and 3) to increase or decrease the heating level.

**TIMER BUTTON:** To set the timer, press the timer button. Use the UP/DOWN button to set a count-down timer. The timer range is 0H – 24H, every increment is 1 hour. The heater will turn off when the timer expires. Set time to 0H to disable the timer.

**PUSH BUTTON:** The heater can be manually operated without the remote control. Use the button on the left side of the heater to cycle to operation modes, Standby, Heat Level (L1, L2).



## Caution:

When the appliance is not operated for a long period of time, cleaning or maintenance is conducted or when the location of the heater is changed, the heater should be turned to OFF and unplugged from the electrical connection.

Periodic inspection and removal of dirt and contaminants will ensure that equipment can be operated safely.

## Troubleshooting

1. Check if the power cord is plugged into an electrical outlet, if not, plug in.
2. Check if electricity to the main fuse is working

### 3. Error code shows on display

E1 Error on Display: Control unit overheat. Check installation clearances.  
Let heater cool for 15 minutes and restart heater.

L1,2,3, shows in display, but no heat: Bulb is damaged. Arrange for replacement bulb with local dealer.

**Factory reset procedure: With the power disconnected, press and hold the button on the heater and then plug in the power cord into power outlet. Continue to hold the button for 30 seconds and then let go. Unit will reboot and reset to factory setting.**

## MAINTENANCE

**Attention!** Careful and regular maintenance of your heater considering our instructions assume great importance so as to attain a long efficient operation of your appliance.

1. Check the cleanliness of the Reflector and IR-Filament at least once a month. If necessary, apply cleaning and maintenance instructions.
2. The number of checks may be increased considering the amount of the dust in the environment.
3. Check the deformation of the Reflector, Wire and Frame visually while cleaning the appliance. In case of deformation, contact service team.
4. Check the Power Cord and Plug visually while cleaning the appliance. In case of deformation, contact service team.

## CLEANING

Regular and careful cleaning helps your infrared heater operate efficiently for many trouble-free years. To clean your heater, follow steps below:

1. Unplug the power cord for your safety before cleaning your appliance.
2. Make sure the heater is cool before continuing.
3. To keep the heater clean, the outer housing may be cleaned with a soft, damp cloth. You may use a mild detergent if necessary. After cleaning, dry the unit with a soft cloth. (CAUTION: DO NOT let liquids enter the heater).
4. DO NOT use alcohol, gasoline, abrasive powders, furniture polish or rough brushes to clean the heater. This may cause damage or deterioration to the surface of the heater.

5. DO NOT immerse the heater in water
6. Wait until the heater is completely dry before use.

Storage: Store the heater in a cool, dry location when not in use to prevent dust and dirt build-up. Wrap the power cord with ties. Use packaging cartons to store.

### **ATTENTION:**

1. Always disconnect the heater from the electricity supply and allow it to cool before attempting to work on it.
2. If the heater has collected dust or dirt inside the unit or around the heating element, have to unit cleaned by a qualified service agent. Do not operate the heater in this condition.
3. The only maintenance required is cleaning of the external surfaces of the heater.
4. Do not touch the heating element with bare fingers, as residue from your hand could affect the life of the lamp. If it is accidentally touched, remove the finger marks with a soft cloth moistened with mentholated spirit or alcohol.
5. Do not attempt to repair or adjust any electrical or mechanical functions on this heater.
6. The heater contains no user serviceable parts. Should the product suffer damage or breakdown, it must be returned to the manufacturer or its service agent.
7. Damaged supply cords to be replaced by the manufacturer, service agent or similarly qualified person in order to avoid hazard.
8. A disconnecting switch incorporated in the fixed wiring is to be provided.

### **RECYCLING**

At the end of the electrical product's useful life, it should not be disposed of with household waste. Please recycle where facilities exist. Check with your Local Authority or retailer for recycling advice in your country

## Warranty Information

Register your product at our website:



Or visit [DrHeaterUSA.com/register-your-heater](https://www.DrHeaterUSA.com/register-your-heater)

Feedback

Love it? Help us make the product more for you.



Let us know with a customer review.

Please visit: <https://www.amazon.com/review/review-your-purchases#>

At Dr. Heater USA, we are committed to bringing top quality alternative & supplemental heating products to our customers.

**Note:** There may be a trace of smoke or odor when the unit is first operated. Do not be alarmed. This indicates a drop of oil fell on the interior coils during the manufacturing process. It will quickly evaporate and should not recur.

### How long is the warranty?

This heater comes with a ONE-YEAR LIMITED COMPONENT WARRANTY. If your unit does not appear to be working properly, please contact our service center by calling 1-800-317-1688. Prior to your call, we encourage you to visit our service related website [www.DrHeaterUSA.com](http://www.DrHeaterUSA.com) for troubleshooting tips and service instructions if needed.

Dr. Infrared Heater  
860 Mahler Rd, Burlingame CA 94010  
Tel: 1-800-317-1688  
EMAIL: [SERVICE@DRHEATERUSA.COM](mailto:SERVICE@DRHEATERUSA.COM)

