



# Enor U

Enor U is a compact USB powered and fully integrated gateway that provides internet connectivity to the WiSilica proprietary BLE mesh Network. The device supports zero downtime Over-the-Air (OTA) firmware updates.



## Table of Contents

1.	Features.....	3
2.	Specifications .....	3
3.	Device Dimensions.....	4
4.	Use Cases.....	5
5.	Certifications.....	7
6.	Warning.....	7
7.	Ordering Information .....	7
8.	Compatible Devices.....	8

## 1. Features

- Wi-Fi / BLE 4.2 Gateway providing ubiquitous connectivity to BLE devices
- Support 802.11 b/g/n modes
- BLE4.2 based non-flooding intelligent mesh
- Unit powered by 5V/2A USB adapter
- Zero downtime Over-the-Air (OTA) firmware updates

## 2. Specifications

Electrical	Symbol	Min.	Typ.	Max.	Unit	Remarks
Input voltage	Vin		5		V	USB
Input current			2		A	

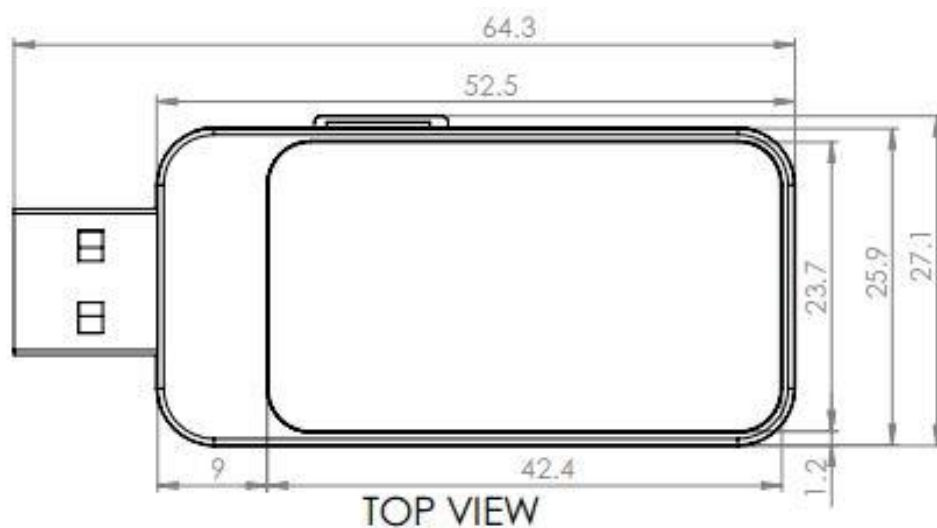
Wi-Fi	Min.	Typ.	Max.	Unit	Remarks
Frequency Band	2.402		2.48	GHz	IEEE 802 Part 11b/g/n (802.11b/g/n single stream n)
Number of selectable Sub CH		14	14		
Output Power	8		17	dBm	802.11b/g/n
Power Consumption		1.0	3	W	Active Power
Carrier Frequency Accuracy		10ppm in 25°C		Hz	crystal: 26MHz
Maximum RX Input Level			20	dBm	
Frequency Tolerance	-20	0	20	ppm	
Transmit Modulation Accuracy	-27		32	dB	
Mod Char: delta fl average	225	225	275	kHz	
ESD (Human Body model)		±8		kV	
Power consumption	280		700	mA	Device boot up
Minimum Input Level Sensitivity (PER < 10%)	-88	82		dBm	
Mod Char: ratio	0.8	0.95		%	OFDM, DSSS (Direct Sequence Spread Spectrum), DBPSK, DQPSK, CCK, 16QAM, 64QAM, 256QAM

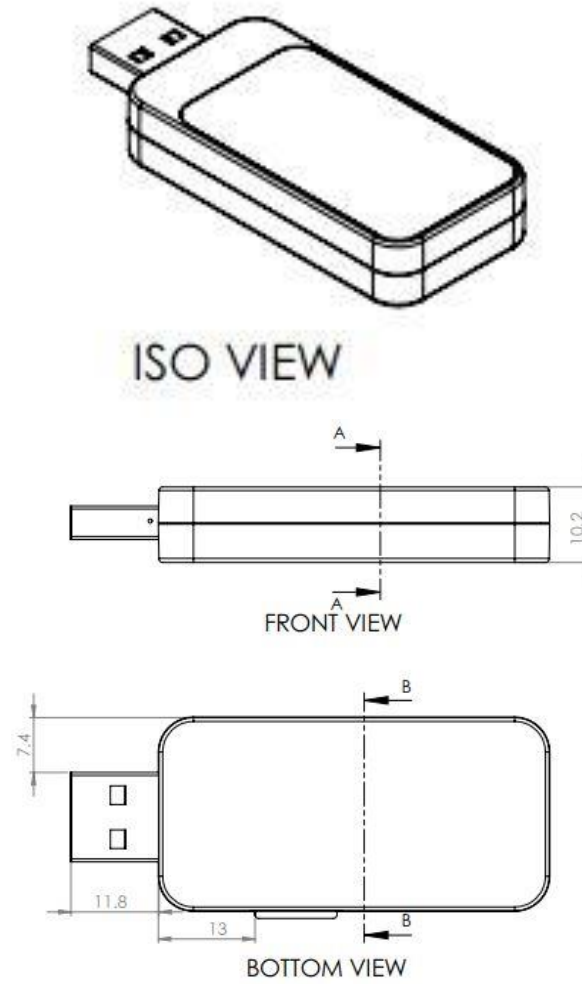
Bluetooth	Min.	Typ.	Max.	Unit	Remarks
Frequency Range	2400	2402	2483.5	MHz	
TX Power	6	8		dBm	Conductive
Frequency Drift (Max)	-25		25	kHz	dF2
Frequency Deviation	±225		±275	kHz	
Carrier Frequency Offset		30	150	kHz	
TX current			48	mA	Total current@ Max Tx power
Receive Frequency	2400		2483	MHz	
Rx Current			37	mA	Total Current @Rx Mode

Mechanical	Min.	Typ.	Max.	Unit	Remarks
Dimensions		64.3 x 27.1 x 10.2		mm	L x W x H
Dimensions		2.5 x 1.1 x 0.4		in	L x W x H

### 3. Device Dimensions

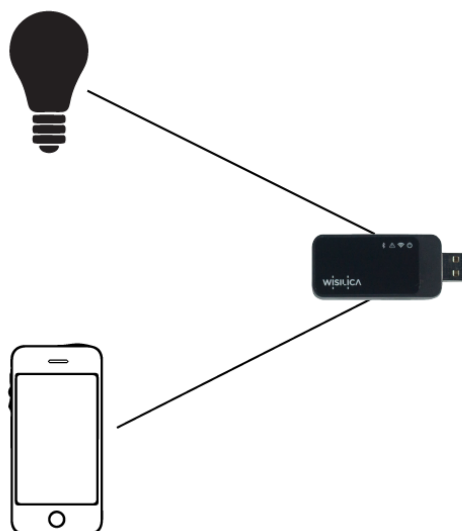
All dimensions are in mm



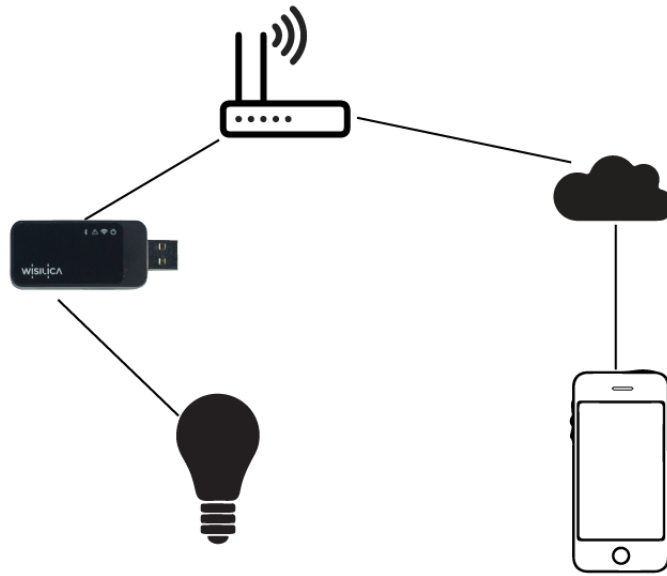


## 4. Use Cases

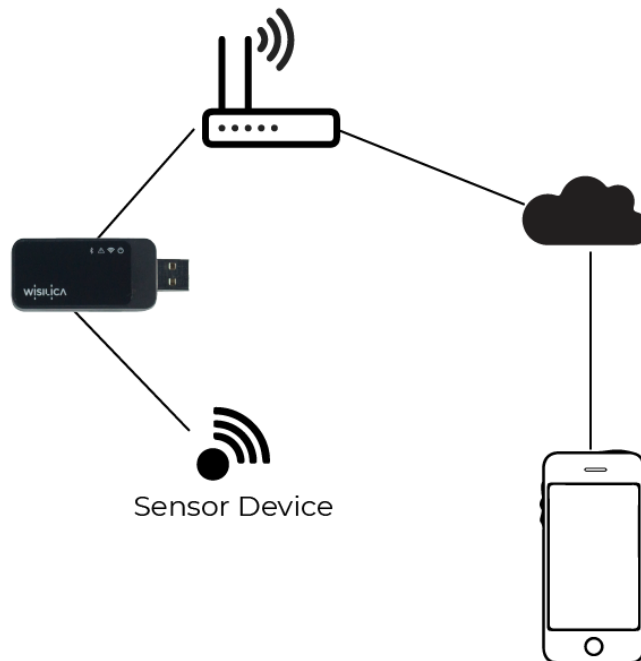
1. Operating Device via BLE (Bridge as a Repeater)



2. Remote Operation



3. Sensor Data to Cloud



## 5. Certifications



**C180509Z10**



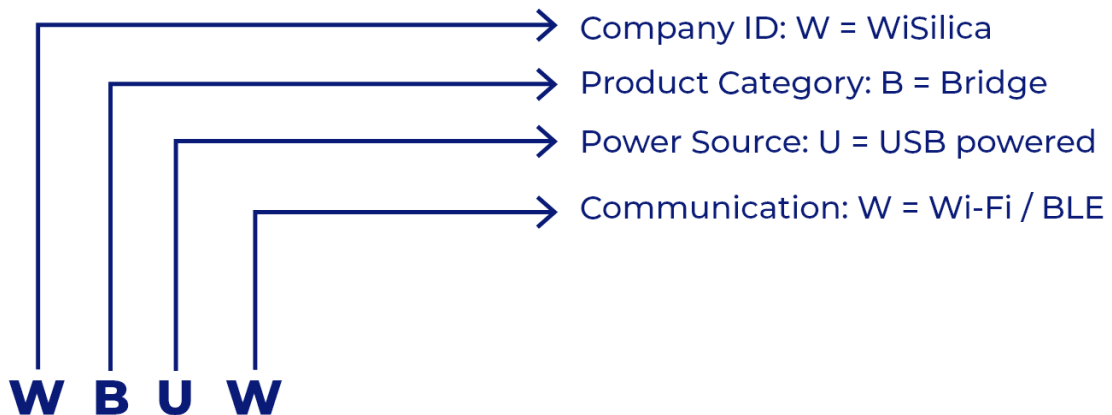
FCC ID: **ZVA-IOT-S-SBM-U-B**

## 6. Warning

1. To prevent the device from any defect, please handle and store it with care.
2. Do not store in very humid location or at extreme temperature.
3. Do not open or disassemble the product.
4. Do not expose this apparatus to rain or moisture. The apparatus shall not be exposed to dripping or splashing and that objects filled with liquids, such as vases, shall not be placed on apparatus.

## 7. Ordering Information

Product Code	Product Name	Communication	Voltage Rating
<b>WBUW</b>	Wi-Fi - BLE USB Dongle	BLE4.2 / Wi-Fi	5V/2A (USB)



## 8. Compatible Devices

- iOS - iPhone & iPad (version 9 and above)
- Android- almost all device (version 6.0 and above)



Visit the link for commissioning and control information

Link -<https://wisilica.com/help/wbuw/index.htm#Commissioning>

Download our mobile application in the following link

- Search WiSilica Lighting App on the App Store / Play Store for iOS / Android device or use the below link
- Android: [https://play.google.com/store/apps/details?id=com.wisilica.Home&hl=en\\_US](https://play.google.com/store/apps/details?id=com.wisilica.Home&hl=en_US)
- iOS: <https://apps.apple.com/us/app/wisilica-platform/id954192558>





CONNECTING THINGS TO LIFE

WiSilica Inc  
23282 Mill Creek Dr #340, Laguna Hills, CA 92653  
United States of America

[info@wisilica.com](mailto:info@wisilica.com)    [www.wisilica.com](http://www.wisilica.com)

Version 1.6