

NINJA

Instruction Manual

Operators and maintenance personnel must read and understand this manual before attempting to operate the unit. This manual has important information for use and safe operation. Keep this manual on file and readily available.

Contents

Important – Please Note.....	3
Important Safety Instructions	3
Before Operating the Machine	4
Unpacking & Inspection	4
Set Up & Operation.....	4
Water Extraction Cleaning	4
Filling the Ninja with Cleaning Solution	4
3 Kw Adjustable Tank Heater System (if fitted)	4
Internal V2 SteamMate (if fitted).....	5
Water Pump & Vacuum System.....	5
Emptying Soiled / Dirty Water from the Ninja.....	6
Hot Solvent Extraction Cleaning	6
Fitted with an Adjustable 3 Kw Tank Heater	6
Emptying after Hot Solvent Extraction Cleaning.....	7
Good Practices.....	8
Exploded Diagram.....	9
Wiring diagram for Standard Ninja with Built in Immersion Heater	10
Warranty Terms & Conditions.....	11
Conditions of Warranty	11

Important – Please Note

Reference machines fitted with Pumptec piston headed pumps (400, 600 & 800 psi machines).

To avoid internal abrasion from undissolved powder in the pump head, only use liquid detergents in the cleaning solution tanks and fill with clean water from a perfectly clean bucket.

Do not use powdered detergent.

We recommend -

- For carpet cleaning – Ashbys Premium Extraction Liquid 5 Ltr PC7735 (pH 10.7).
- For upholstery and rug cleaning - Ashbys Liquid Extraction Cleaner 5 Ltr PC7736 (pH 9).

These products are suitable for high-heat use and contain lime scale inhibitors to help maintain Pumptec pump heads.

Important Safety Instructions

When using an electrical appliance to reduce the risk of fire, electric shock or injury, basic precautions should always be followed including but not limited to the following –

1. Do not leave a machine plugged in. Unplug from outlet when not in use and before servicing. Servicing should only be carried out by qualified personnel.
2. Use indoors only. Do not use outdoors and do not expose to rain.
3. Do not allow to be used as a toy. Close attention is necessary when used by or near children.
4. Use only as described in this manual. Use only manufacturers recommended attachments.
5. Do not use with damaged lead or plug. If machine is not working as it should, has been dropped, damaged, left outdoors, or dropped into water, return it to a service centre.
6. Do not pull or carry by power lead, use power lead as handle, close a door on power lead, or pull power lead around sharp edges or corners. Do not run machine over power lead. Keep power lead away from heated surfaces.
7. Do not unplug by pulling on power lead. To unplug, grasp the plug not the power lead.
8. Do not handle plug or machine with wet hands.
9. Do not put any object into openings. Do not use with any opening blocked; keep free of dust, lint, hair and anything that may reduce vacuum. Keep hair, loose clothing, fingers and all parts of body away from openings and moving parts.
10. Turn off all controls before unplugging. Use extra care when cleaning on stairs.
11. Do not use to pick up flammable or combustible liquids, such as gasoline or use in areas where that may be present.
12. Connect to a properly grounded outlet only. When working of site use a plug in RCD.

Before Operating the Machine

Operators and maintenance personnel must read and understand this manual before attempting to operate the unit. This manual has important information for use and safe operation. Keep this manual on file and readily available.

Unpacking & Inspection

Carefully unpack and inspect the compact extractor for shipping damage. Each unit is inspected and operated at the factory prior to shipping. Any damage should be reported to the carrier / supplier immediately.

Set Up & Operation

Water Extraction Cleaning

Filling the Ninja with Cleaning Solution

Fill solution tank with the amount of water required – if you'd like to clean with hot water and you have access to hot water, fill with this. Always use **dedicated clean water bucket(s)** as any grit introduced WILL damage the pump head. There is a low water level safety cut-off in your solution tank and you will need to ensure you have enough water to cover this before your heating system will operate.

Important: If your Ninja is fitted with a 400psi pump system, we strongly recommend the use of **LIQUID detergent** (NOT powdered detergent), in your solution tank. Any un-dissolved powdered detergent (or grit) will damage your pump head. We recommend the following liquid detergents which have been specifically developed for use with these pump systems –

- PC7735 Ashbys Premium Extraction Liquid 5 Ltr – for all standard and heavy duty carpet cleaning.
- PC7736 Ashbys Liquid Extraction Cleaner 5 Ltr – for delicate carpets, upholstery and rugs.

- Both products can be ordered from our web site www.ashbys-uk.com. Type the product code (PC****) into the search bar on our site, to navigate to each product.

For best life from 400, 600 or 800 psi pump systems, we recommend using this liquid detergent only in the solution tank and applying all other products try either a pre-spray (before cleaning) or post-spray (after cleaning). These include pre-spotters, stain removers, acidic rinse / acid products or deodorizer. Defoamer should only be used by pouring into recovery (vacuum) tank.

3 KwAdjustable Tank Heater System (if fitted)

1. Plug-in black Heater Lead in to a 13 amp 240 Volt socket - ensure that it is on a RCD protected supply.

Important: When using any electrical equipment at customer's premises, you should have a plug-in 13 amp RCD on each power lead. In the event of a fault, an unearthed or non-RCD protected power supply can cause injury or death. Do not use an extension lead with double plug ability, to

plug-in two leads. Only one 13 amp lead per 13 amp extension lead. Plugging both of the Ninja's electrical leads into a double wall socket is permissible as long as each socket is 13 amp 3 Kw rated.

2. Fill solution tank with clean water to required level. The heater will not operate until the float switch is covered.
3. Switch on tank heater switch and dial thermostat to required temperature. The thermostat dial will not turn passed the recommended top temperature for the pump i.e. 60°C or 70°C depending on pump model. The thermostat will automatically turn off the heater at the temperature setting selected and the red neon light will turn off. The heater switch will remain illuminated to indicate that power to the heater is on. The heater will switch off automatically when the water level drops to the minimum safe level. The heater will not operate with no water in the solution tank.

Internal V2 SteamMate (if fitted)

1. Plug-in Black Heater Lead to a 13 amp 240 Volt socket - ensure that it is on a RCD protected circuit. **Important:** When using any electrical equipment at customer's premises, you should have a plug-in 13 amp RCD on each power lead. In the event of a fault, an unearthed or non-RCD protected power supply can cause injury or death. Do not use an extension lead with double plug ability, to plug-in two leads. Only one 13 amp lead per 13 amp extension lead. Plugging both of the Ninja's electrical leads into a double wall socket is permissible as long as each socket is 13 amp 3 Kw rated.
2. Always connect V2 Fully Sleeved or heat-protected solution hose and cleaning tools to the machine before switching on the V2 SteamMate - the heat will increase the water pressure and cause resistance when connecting the hose.
3. Set selected temperature on V2 SteamMate dial, this will give a temperature range of between 0°C to 110°C.
4. The V2 SteamMate will not operate until:
 - a. The solution tank is above the minimum level of water required to engage the float switch.
 - b. The water pump is switched on.

The red neon will turn off when the temperature in the V2 SteamMate reaches the selected temperature. Please note that the V2 SteamMate heater switch will remain illuminated to indicate the power is on (if fitted with an illuminating switch).

Warning: The V2 SteamMate will produce very hot water under pressure and should only be used with hoses and tools designed for high heat and pressure. Injury could result from using low pressure or low heat-rated accessories. When venting or spraying always do so into a suitable container, or onto the item being cleaned – **never on people or animals**. Green neon will indicate which system is operating on dual heat models.

Water Pump & Vacuum System

1. Plug-in white mains Lead to a 13 amp 240 Volt socket - ensure that it is on a RCD protected circuit. **IMPORTANT** – When using any electrical equipment at customer's premises, you should have a plug-in 13 amp RCD on each power lead. In the event of a fault, an unearthed or non-RCD protected power supply can cause injury or death. Do not use an extension lead with double plug ability, to plug-in two leads. Only one 13 amp lead per 13 amp extension lead. Plugging both of

the Ninja's electrical leads into a double wall socket is permissible as long as each socket is 13 amp 3 Kw rated.

2. Open flow control valve one turn anticlockwise, to allow free recirculation of water back to the solution tank.
3. Connect suitably rated solution hose to machine and cleaning tool.
4. Switch on the green mains switch. This will automatically turn on the cooling fan system and provide power to the switch panel, vacuum and pump systems.
5. Switch on the water pump and allow to run on recirculation whilst switching on vacuums.
6. Switch on vacuum motor No 2.
7. Switch on vacuum motor No 1.
8. Ensure Brass Pressure Control valve is turned fully clockwise to maximum (in direction of arrow).
9. Close Flow Control (by turning clockwise), to produce required flow-rate and pressure up to 400 psi.
10. Commence cleaning.

Emptying Soiled / Dirty Water from the Ninja

When the recovery tank is full a float ball shut off system will operate. When vacuum power is lost turn off vacuum motor No 1 followed by No 2. Empty soiled water via the dump valve into a **dedicated dirty water bucket**. Empty soiled water into a sewage sluice i.e. toilet or manhole. Do not contaminate rain water drains. Refill solution tank using **dedicated clean buckets** and continue working.

Hot Solvent Extraction Cleaning

Fitted with an Adjustable 3 Kw Tank Heater

Warning: when solvent cleaning always follow safety procedures detailed on the solvent container, which involves wearing suitable solvent protective mask & gloves.

1. Fill solution tank to above level of copper coil heat exchanger with water (preferably hot), ensuring heater element low level float switch is covered. Plug white & black mains leads into separate 13 amp sockets. Ensure that electrical supply is fitted with an RCD earth leakage trip. When using any electrical equipment, switch on heater and dial up temperature to 60°C, located on main switch panel.
2. Whilst the machine is heating water, connect solvent intake tube to rear of machine via brass coupling. Hook solvent container cage to Ninja's rear handle and place 5 Ltr container of solvent cleaning fluid in cage. Place the other (open) end of the intake tube into the solvent container. Ashbys Cleaning Equipment strongly recommends using an odour-free solvent such as Dry Clean Extra PC6234 or Supreme Dry Clean PC4502. Using unsuitable solvents can be dangerous because of toxicity and fire / explosion risk.
3. Connect solvent re-circulation hose to Ninja via double brass connections. The other end can be connected to required solvent cleaning tool.
4. If the solvent system has been drained dry or contaminated by water, you can use the solvent bleed hose to bleed the system. Connect the bleed hose to the female socket of the recirculation hose and run pump until clean solvent is pumped through.

5. When system is primed connect female socket of the recirculation hose to male return on machine and turn on solvent pump – solvent will automatically start to circulate through the hose & copper coil heat exchanger system, whenever the pump is turned on.
6. Connect solvent exhaust venting hose to vacuum exhaust spigot. **Important:** only use venting hose supplied with machine, as high venting temperatures can soften lesser quality hose and in some cases cause it to collapse. If in doubt as to suitability of venting hose call Ashbys for technical advice. Always vent solvent fumes outside. Open windows and / or doors for fresh air ventilation. An Airmover is advisable for clearing any solvent fumes on completion of work.
7. Connect the lightweight solvent vacuum hose to Ninja vacuum intake spigot and other end to solvent tool.
8. To commence cleaning once the solvent has reached the desired working temperature, switch on both vacuums (the solvent pump is already switched on – see instruction 5).
9. Commence solvent cleaning procedure.

Note: If unsure of solvent cleaning methods & techniques call Ashbys Cleaning Equipment on 01795 436999 for our latest Stage 1 course dates, or visit www.ashbys-uk.com.

Emptying after Hot Solvent Extraction Cleaning

1. Switch off vacuums & solvent pump.
2. Drain solvent from recovery tank via black Dump Valve at front of the Ninja.
3. On completion of work residual water in solution tank can be drained by pumping into vacuum tank using red Pump-Out Hose supplied.

The Pump-Out Hose is a short piece of solution hose with a male connector on one end – this is connected to the female brass water solution connection on the machine. The other end is open (no connector) and should be put in the recovery / dirty water tank.

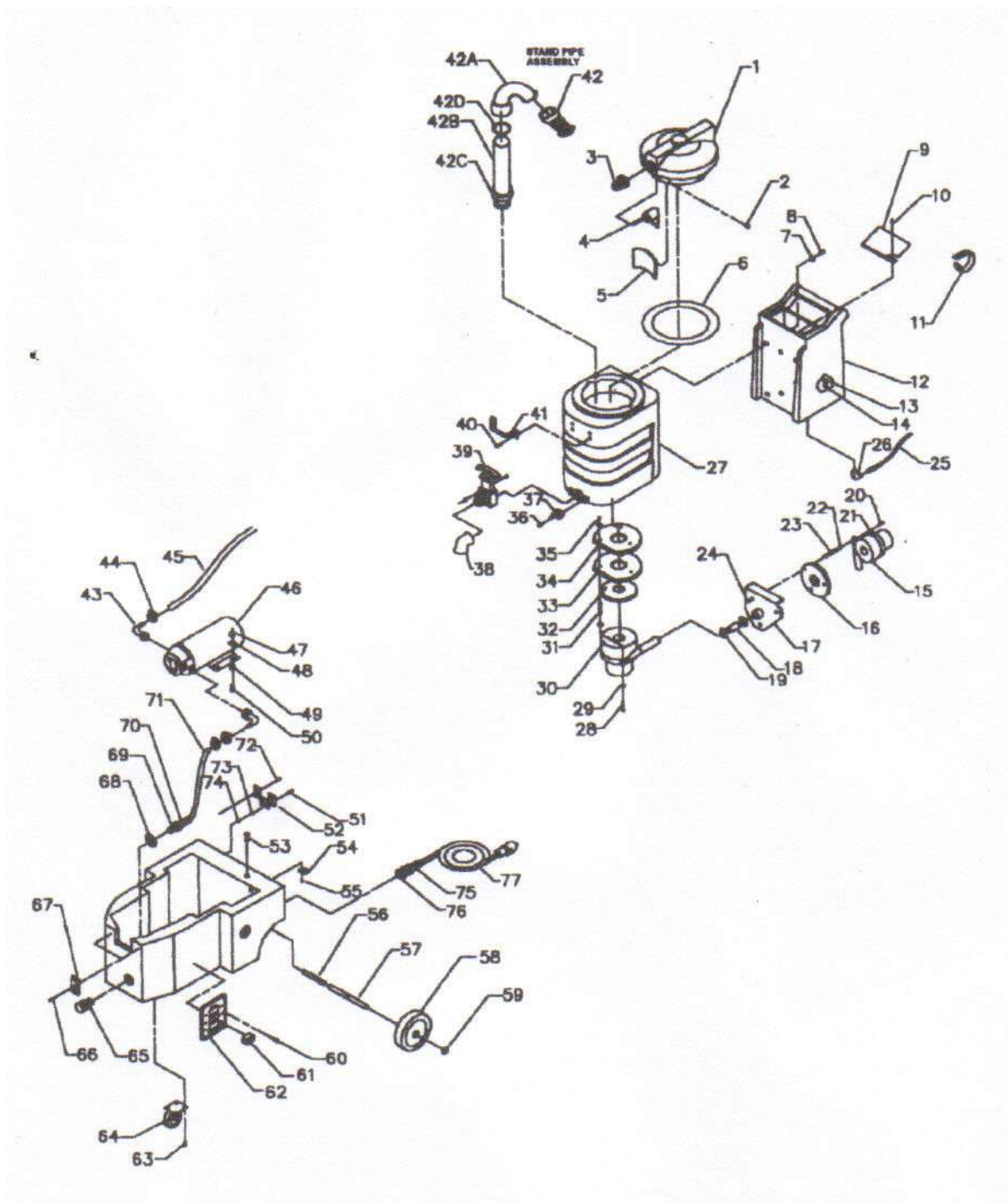
Turn on the pump and where applicable, close the flow control. Allow all the water to empty from the solution tank.

4. Empty water from recovery tank black Dump Valve & rinse recovery tank through with fresh water.
5. **Open recovery tank lid & run both vacuum motors for approx. 2-3 minutes.** This will help to prolong the life of your vacuum motors by drying them prior to packing away.
6. To drain solvent from re-circulating system, disconnect return hose (small brass female connector) and attach to Solvent Bleed Hose & place open end in the 5 Ltr solvent container. Lift out Solvent Intake Hose from container and switch on solvent pump. Run until dry.

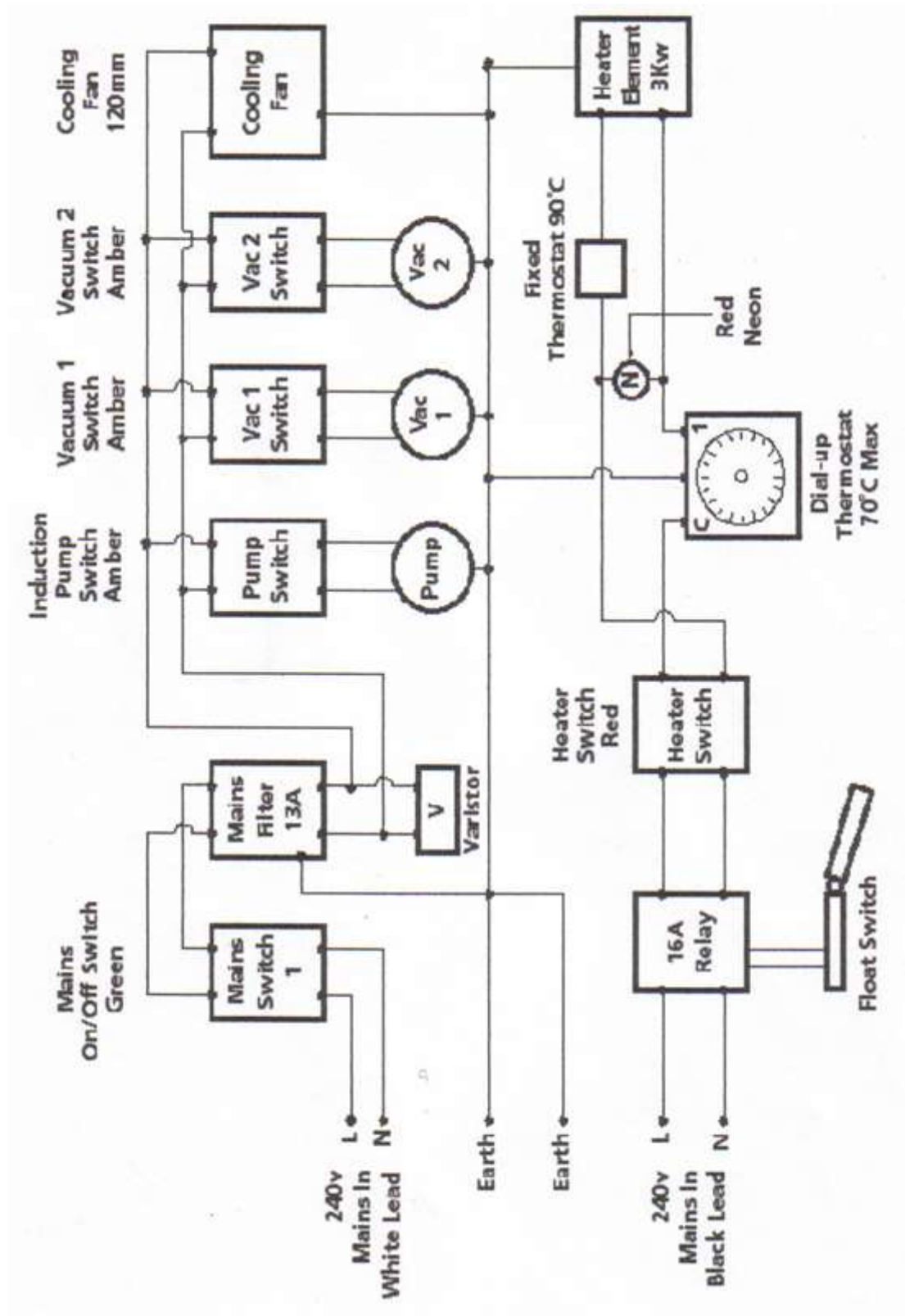
Good Practices

- ✓ This equipment should be serviced every six months at Ashbys premises – call our Service Dept on 01795 436999 to book.
- ✓ Always use a **completely clean bucket** to fill solution tank.
- ✓ Do not over-apply powdered detergent in the solution tank. **Powder is not recommended for piston pumps i.e. 400 psi type.**
- ✓ Use only thoroughly pre-dissolved powdered detergents or a suitable liquid detergent in solution tank.
- ✓ Vacuum and solutions hoses are best kept in hose bags.
- ✓ Open the vacuum tank lid to allow hygienic drying of the vacuum tank overnight. This will prevent bacterial build up and unpleasant odours.
- ✓ Wipe clean the wire mesh of the float ball cage.
- ✓ Keep the machine clean.
- ✓ Do not allow to freeze.
- ✓ Always use Pump-Out Hose to empty clean water from solution tank.
- ✓ Run both vacuum motors with recovery tank lid open at end of each job for 2-3 minutes. This will removed damp air from vacuum motors.
- ✓ When sucking out last remnants of water from the solution tank **only use Vacuum No2.** This will give a controlled flow into recovery tank. Using both vacuums may cause water to be sucked through the vacuum motors.

Exploded Diagram



Wiring diagram for Standard Ninja with Built in Immersion Heater



Warranty Terms & Conditions

We, Ashby's Specialist Cleaning Equipment, (hereinafter referred to as Ashby's), hereby warranty our NINJA machine for one year from date of purchase if purchased new or three months from date of purchase if purchased from Ashby's as reconditioned / second-hand. If purchased new, this is subject to a Full Service (which is chargeable – price on application) within first 6 months of purchase at Ashby's premises and limited to the terms and conditions listed below.

Conditions of Warranty

This warranty shall not extend to any Ashby's product showing effects of misuse, abuse, disassembly, alteration, lack of proper maintenance, corrosive chemicals, improper voltage, accident damage, unauthorised repairs, use of other than genuine Ashby's part(s) and material(s), fire, flood, normal wear or other cause beyond Ashby's control.

WARNING ON CHEMICALS: Improper use of chemicals voids warranty and Ashby's liability. Defoamer is to be used in all Ashby's Ninja machines.

Ashby's is not responsible for any work performed on, equipment furnished thereto or repairs effected upon any of its products by other than Ashby's.

Brass, rubber and synthetic rubber products, quickly disconnects, "O" rings, diaphragms, gaskets, seal, grommets and carbon brushes in both pumps and vacuum motors are considered expendable in normal use and therefore are not included in the warranty.

The warranty obligation extends only to the repair or replacement of parts found, upon Ashby's examination, to be defective. Unless any part or assembled unit replaced hereunder is returned, carriage prepaid, together with a letter describing the problem, to Ashby's within 15 days of replacement, this warranty is void and of no effect. Parts or assemblies, either repaired or replaced, at the discretion of Ashby's, will be returned carriage collect by Ashby's.

It is necessary to write in or call for an authorisation to return any warranty items. No replacement parts will be shipped without the serial number of the machine the part was taken from and authorisation given by Ashby's. No credit will be given until the defective parts are received and accepted by Ashby's as qualifying for warranty replacement.

This warranty excludes any and all labour charges, carriage expenses, rental equipment used while warranty repairs are being performed and business losses of any nature from equipment failure.

The foregoing constitutes Ashby's entire warranty and no other warranty, liability, contingency or responsibility, direct, indirect, consequential or in any way connected with the sale or operation of Ashby's machines or chemical products is expressed or implied.

This warranty does not remove the rights of the purchaser provided by UK law.