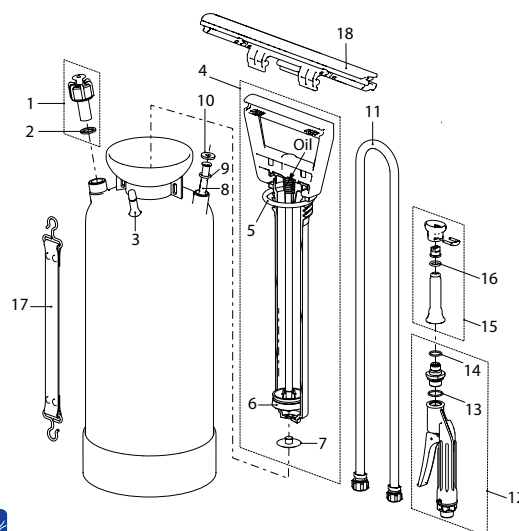




Foam-Matic 5 P



Foam-Matic 5 E



Refer also to foam unit **Foam-Matic 1.25 P/E, 75°** page 33

Foam-Matic 5 P, Foam unit (acids)	11900401	121338
Foam-Matic 5 E, Foam unit (alkalis)	11907601	121369

Accessories

Extension tube set 50 cm, stainless steel curved	11904501	113142
--	----------	--------

No	Gasket set Foam-Matic 5 P consisting of:		11905101-SB	040660
-----------	---	--	-------------	--------

No	Gasket set Foam-Matic 5 E consisting of:	For model	11911801	113166
-----------	---	------------------	----------	--------

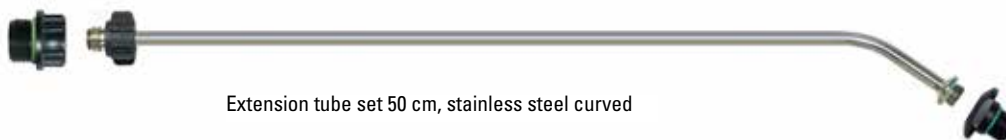
2	Gasket 21x15.4x2	5P / 5E		
5	O-Ring 50.16x5.34	5P / 5E		
6	Sleeve	5P / 5E		
7	Pump gasket	5P / 5E		
9	O-Ring 7.66x1.78	5P		
9	O-Ring 7.65x1.78	5E		
10	Gasket 15x5.5x2	5P / 5E		
13	Gasket 17.17x1.78	5P / 5E		
14	Gasket 14x1.78	5P / 5E		
16	O-Ring 10.78x2.62	5P / 5E		

	Gasket set for trigger	5P	11664910	040851
--	-------------------------------	----	----------	--------

	Gasket set for trigger	5E	11973801	400853
--	-------------------------------	----	----------	--------

No	Spare parts	For model		
-----------	--------------------	------------------	--	--

1	Safety valve 4 bar	5P	11617902-SB	710181
1	Safety valve 4 bar	5E	11669611	110592
3	Tire valve	5P / 5E	50137532	040653
4	Pump black assy.	5P	11625301-SB	710150
4	Pump black assy.	5E	11906501	110448
6	Guide with sleeve; 6 pcs. per pack	5P	10853203-SB	040066
6	Guide	5E	11639202	110455
6	Sleeve; 6 pcs per pack	5P / 5E	11642701-SB	040059
8	Air valve assy.	5P	11910101	113173
8	Air valve assy.	5E	11910102	113180
11	Hose 1.5 m G1/2"-G1/2"	5P	11908201	110479
11	Hose 1.5 m G1/2"-G1/2"	5E	11908301	110486
12	Trigger assy.	5P	11907101	040639
12	Trigger assy.	5E	11907102	040646
15	Foam tube assy.	5P	11927401	113746
15	Foam tube assy.	5E	11928001	113753
17	Carrying belt assy.	5P / 5E	10453601	100739
18	Two hand grip	5P / 5E	11887301	040578



Extension tube set 50 cm, stainless steel curved