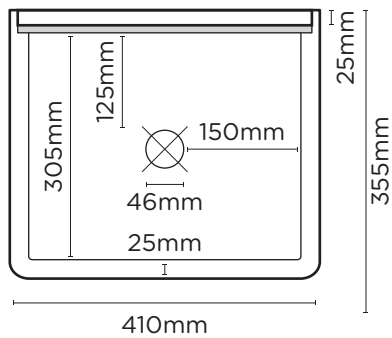




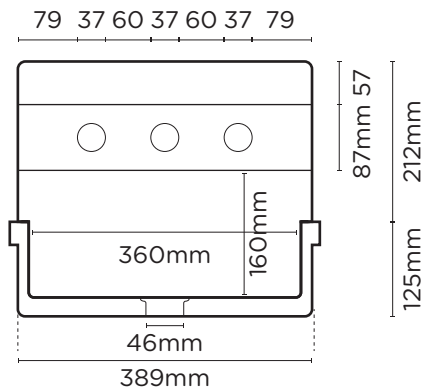
Herbert

Based on a 1950's design, Nood take a step back, to take a step forward. The Herbert basin is the perfect designer piece for your bathroom space.

PLAN VIEW



SECTION VIEW



SPECIFICATIONS

MATERIAL	UHP Concrete
FINISH	Matte / Low Sheen
WEIGHT	14.1kg (30.9lbs)
DIMENSIONS	W410 x D355mm x H335mm (L16.2in x W13.1in x H13.1in)
BOWL CAPACITY	15.3L (3.96gal)
TAP HOLE	Only available as pictured
OVERFLOW AVAILABLE	N/A
WASTE RQD	32mm or 40mm Standard not provided by Nood
WARRANTY	24 months
WASTE HOLE SIZE	46mm (1.8in)
WALL THICKNESS	18mm
OPTIONS	Surface Mount / Wall Hung
WALL HANG RQD	Mount before tiling - to timber frame or masonry wall.

All dimensions are estimate. We suggest waiting until receiving Nood basins before cutting holes in cabinetry items. Colours of concrete may vary slightly.

WALL HUNG BRACKET



8mm aluminium powdercoated. Bracket, fixings, adhesive provided with each wall hung basin purchased.

L297mm x W305mm x H122mm
(L11.6in x W12.0in x H4.8in)

THICKNESS

Wall Hang Bracket: 8mm (0.3in)
L Bracket: 3mm (0.1in)

WEIGHT

Wall Hang Bracket: 2.0kg (4.40lbs)
L Bracket: <250g (0.5lbs)

INSTALLATION

Timber Wall: tiny.cc/udkhlz
Masonry Wall: tiny.cc/Ogkhlz

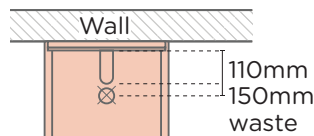
Basin to be mounted after tiling.

AVAILABLE COLOURS

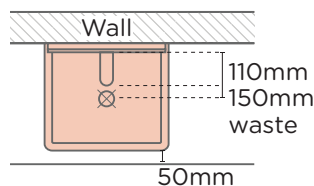


SUGGESTED TAP / FAUCET POSITION & LENGTH

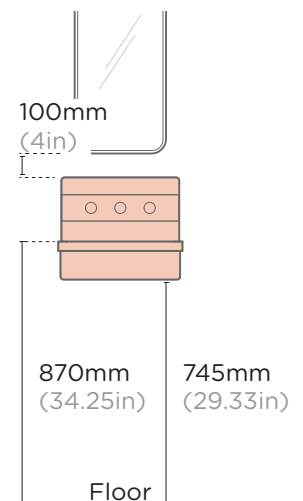
WALL HUNG BASIN



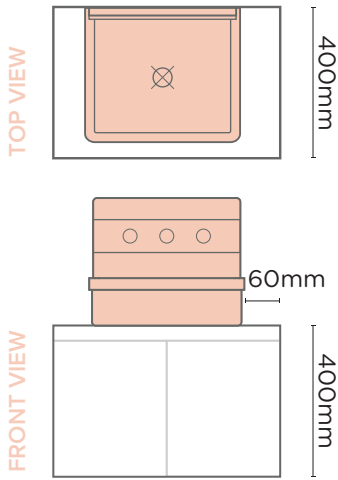
SURFACE MOUNTED BASIN



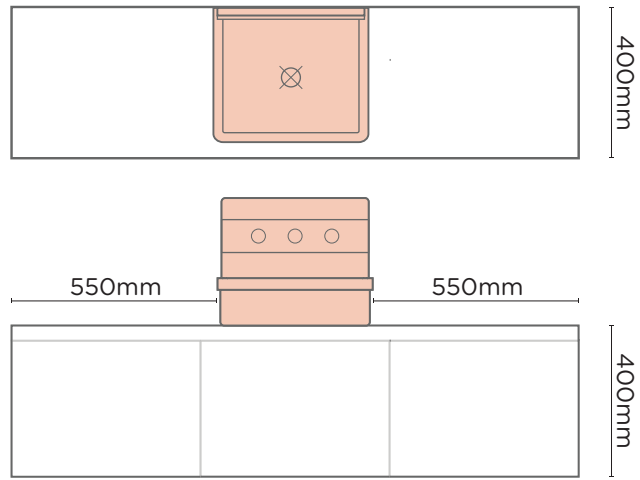
INSTALL HEIGHT



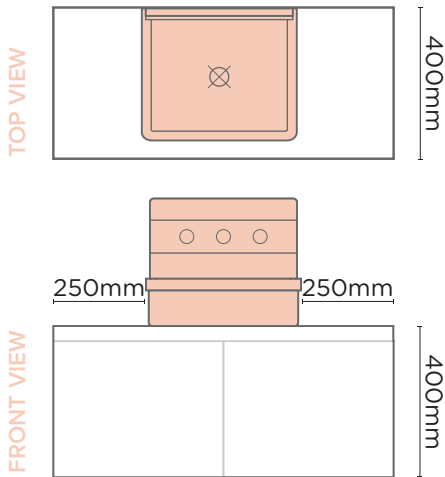
600 VANITY



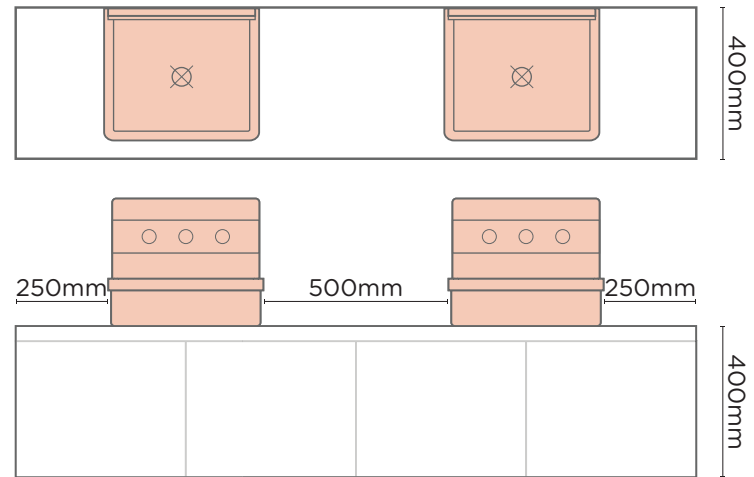
1500 VANITY



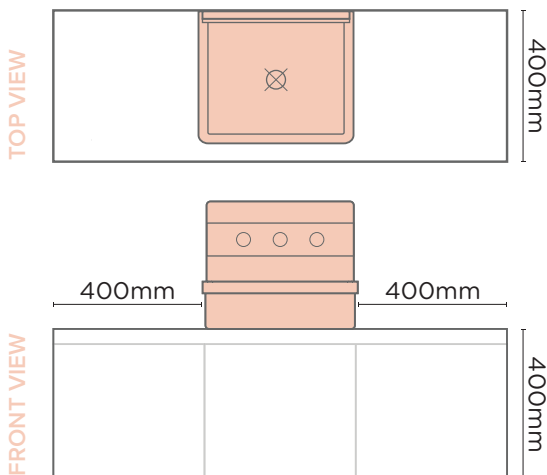
900 VANITY



1800 VANITY



1200 VANITY



2100 VANITY

