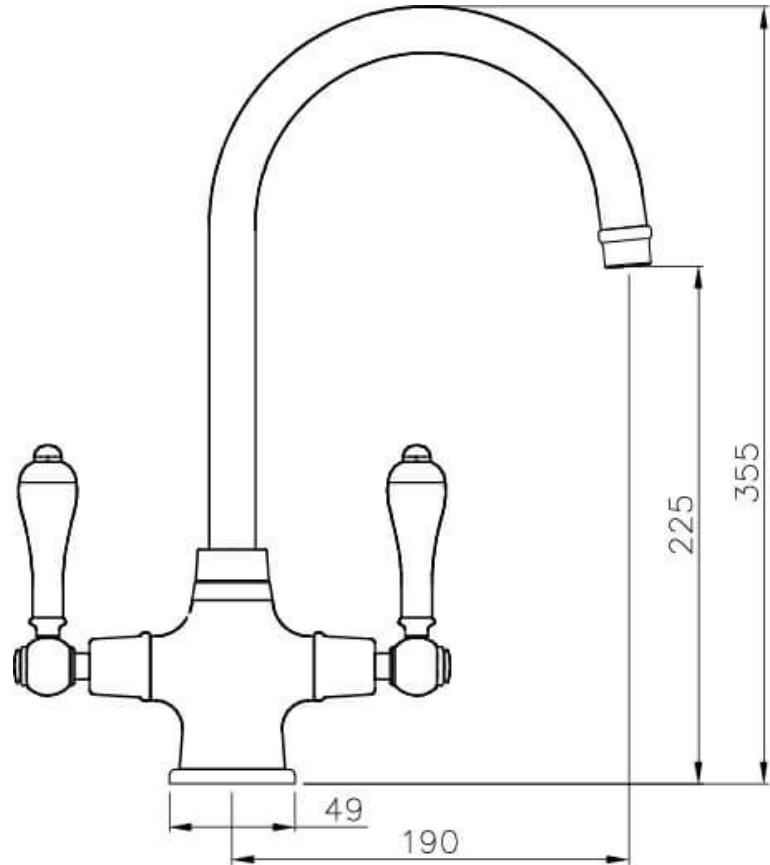


Ludlow Double Mixer Tap ? Brushed Nickel

Code: LU102DM-BN



BATHROOM | KITCHEN | LAUNDRY | TRADITIONAL & HAMPTONS STYLE SPECIALISTS

Specifications

- Material: Brass
- Finish: Brushed Nickel
- WELS Rating: 5 Star (5.5L/min) (R:T41450)
- Quarter turn ceramic disk valves
- Watermark approved to Australian Standards
- Swivel Spout

Warranty

For peace of mind, Turner Hastings offers the following warranty on this product and its components:

Body, handle and finish - 15 years

Working Parts - 5 years

Electroplated finish - 5 years

For more details, click [here](#) to refer to our warranty page.