

# MARQUIS

# Shore

Shore 1 750mm centre basin

### Top Thickness

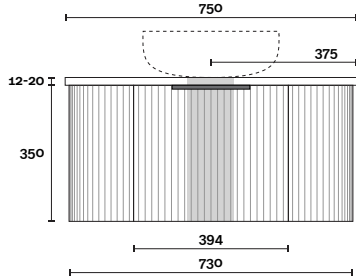
- Symphony: 20mm
- Stone Ambassador: 20mm
- Caesarstone: 20mm
- Vasari: 12mm
- Dekton: 12mm
- Timber: 30-35mm (Above counter only)

### Note:

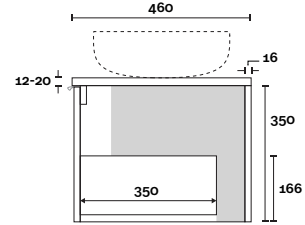
- Stone waste centre: 375mm std (may vary depending on basin)

 Plumbing allowance

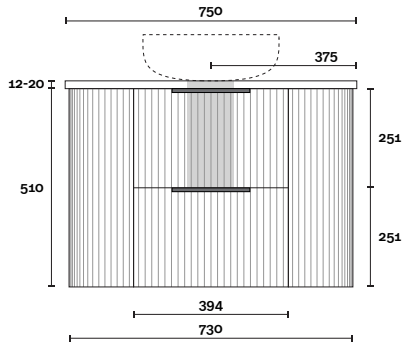
## 1 DRAWER WALLMOUNT



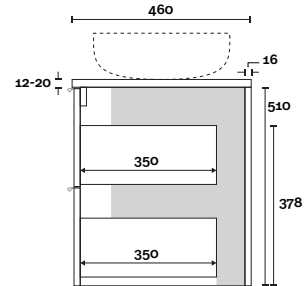
## PROFILE



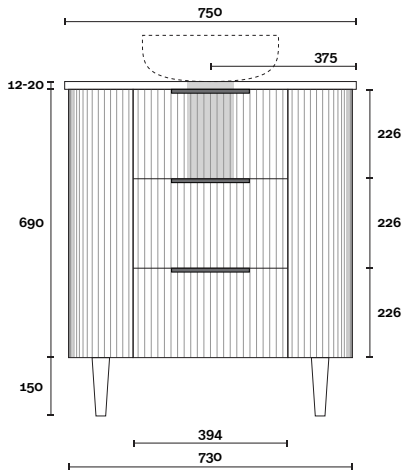
## 2 DRAWER WALLMOUNT



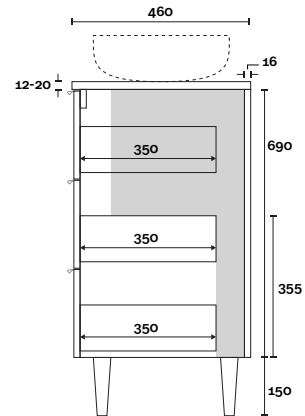
## PROFILE



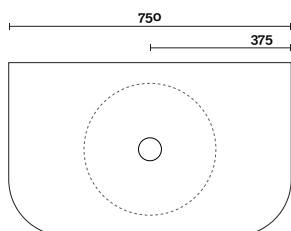
## 3 DRAWER LEG



## PROFILE



## PLAN



# MARQUIS

# Shore

Shore 2 900mm centre basin

### Top Thickness

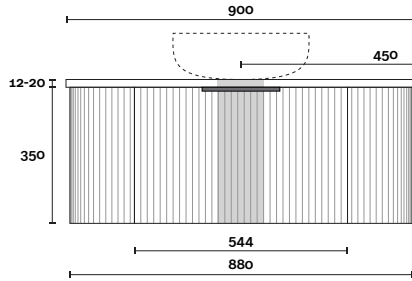
- Symphony: 20mm
- Stone Ambassador: 20mm
- Caesarstone: 20mm
- Vasari: 12mm
- Dekton: 12mm
- Timber: 30-35mm (Above counter only)

### Note:

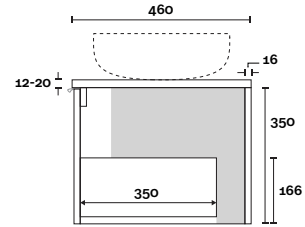
- Stone waste centre: 450mm std (may vary depending on basin)

 Plumbing allowance

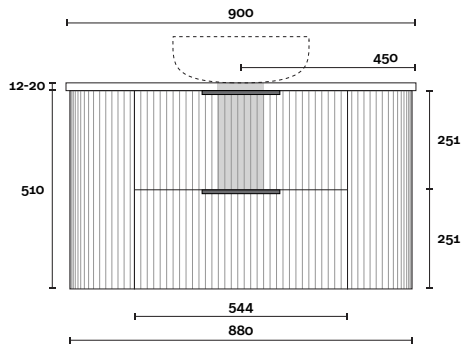
## 1 DRAWER WALLMOUNT



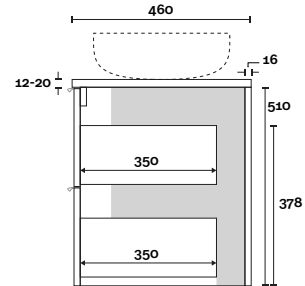
## PROFILE



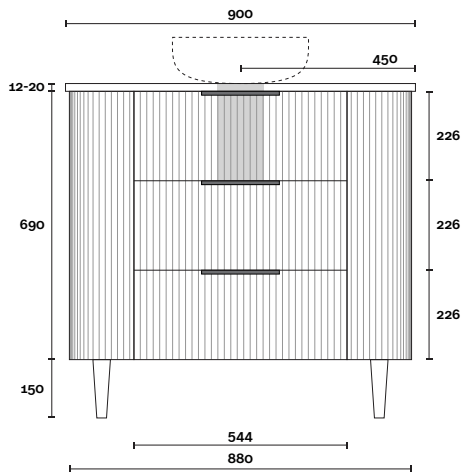
## 2 DRAWER WALLMOUNT



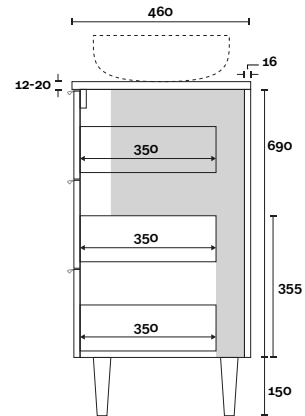
## PROFILE



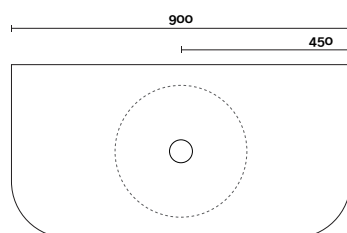
## 3 DRAWER LEG



## PROFILE



## PLAN



# MARQUIS

# Shore

Shore 3 1200mm centre basin

### Top Thickness

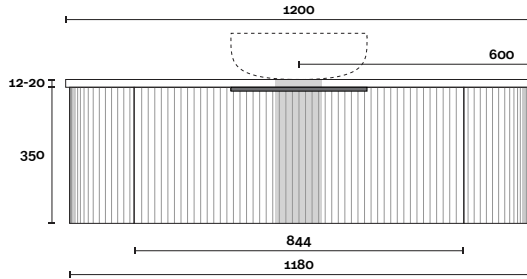
- Symphony: 20mm
- Stone Ambassador: 20mm
- Caesarstone: 20mm
- Vasari: 12mm
- Dekton: 12mm
- Timber: 30-35mm (Above counter only)

### Note:

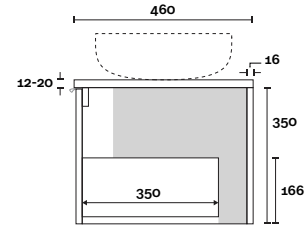
- Stone waste centre: 600mm std (may vary depending on basin)

 Plumbing allowance

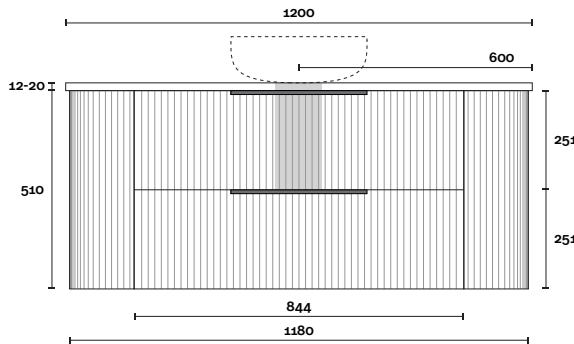
## 1 DRAWER WALLMOUNT



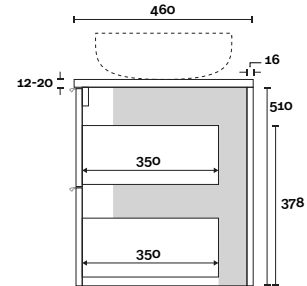
## PROFILE



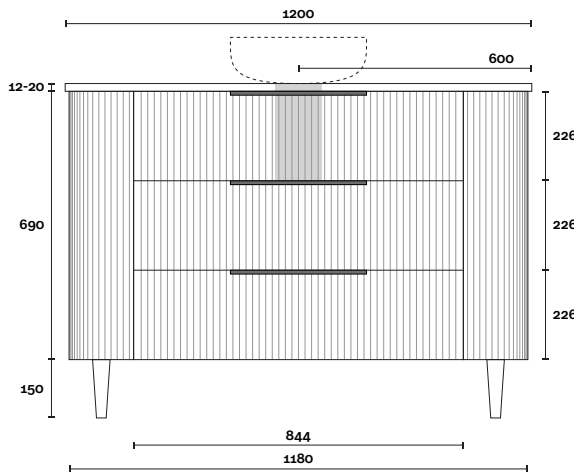
## 2 DRAWER WALLMOUNT



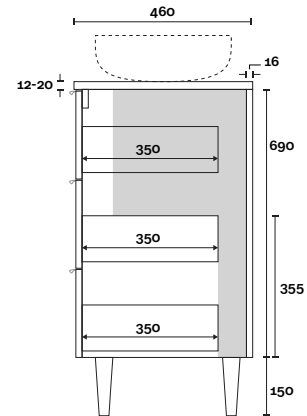
## PROFILE



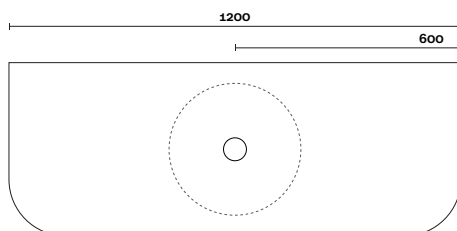
## 3 DRAWER LEG



## PROFILE



## PLAN



# MARQUIS

# Shore

Shore 4 1200mm off centre basin

### Top Thickness

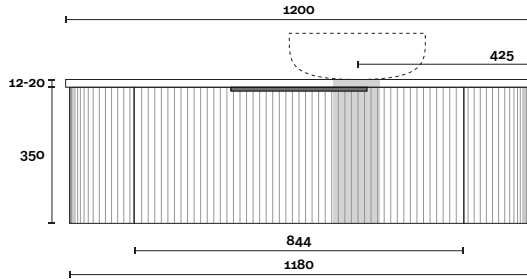
- Symphony: 20mm
- Stone Ambassador: 20mm
- Caesarstone: 20mm
- Vasari: 12mm
- Dekton: 12mm
- Timber: 30-35mm (Above counter only)

### Note:

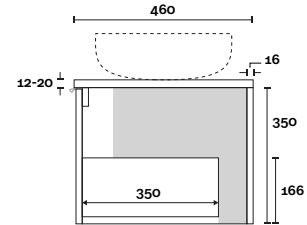
- Stone waste centre: 425mm std (may vary depending on basin)
- Left or Right hand basin available

 Plumbing allowance

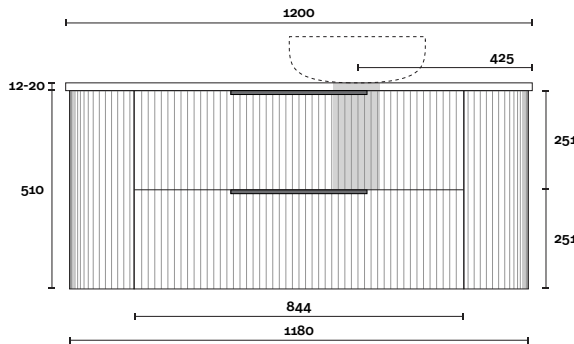
## 1 DRAWER WALLMOUNT



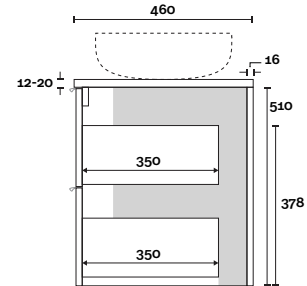
## PROFILE



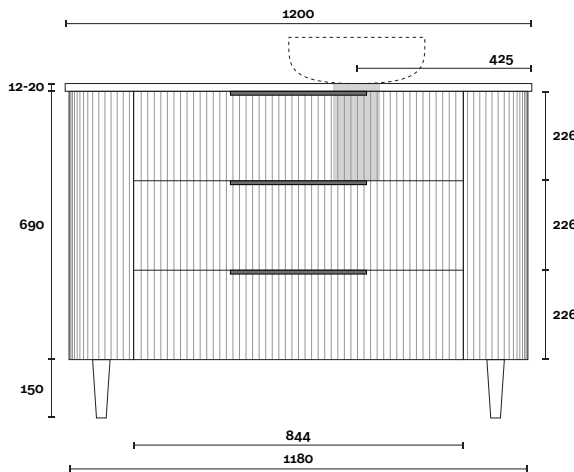
## 2 DRAWER WALLMOUNT



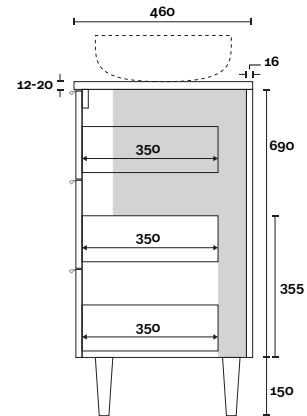
## PROFILE



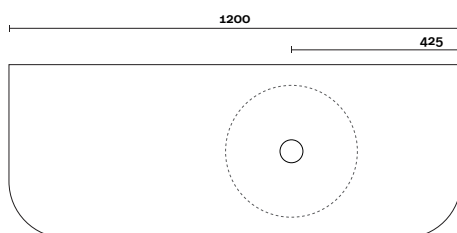
## 3 DRAWER LEG



## PROFILE



## PLAN



# MARQUIS

# Shore

Shore 5 1500mm centre basin

### Top Thickness

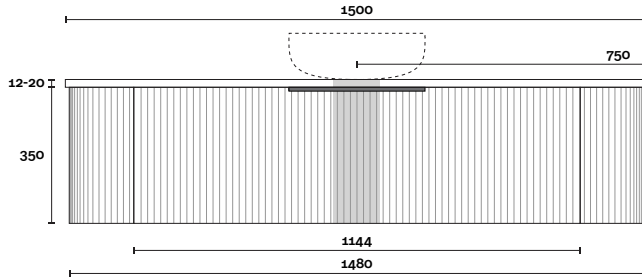
- Symphony: 20mm
- Stone Ambassador: 20mm
- Caesarstone: 20mm
- Vasari: 12mm
- Dekton: 12mm
- Timber: 30-35mm (Above counter only)

### Note:

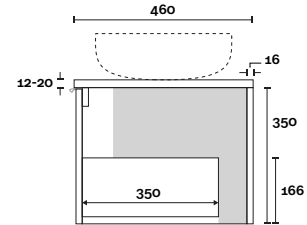
- Stone waste centre: 750mm std (may vary depending on basin)

 Plumbing allowance

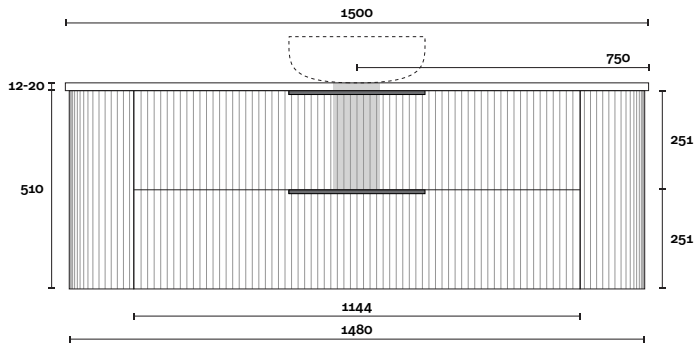
## 1 DRAWER WALLMOUNT



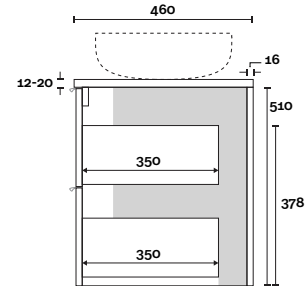
## PROFILE



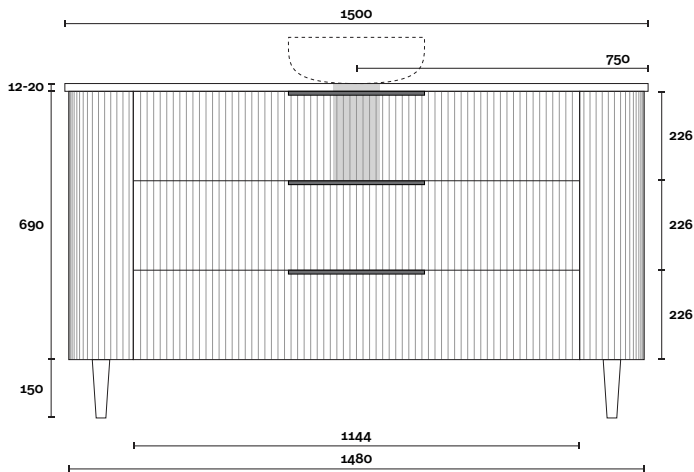
## 2 DRAWER WALLMOUNT



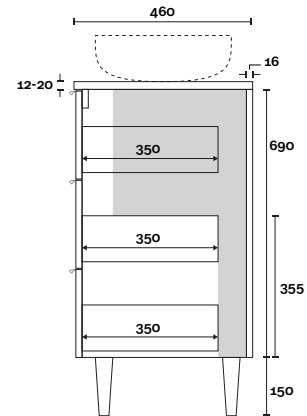
## PROFILE



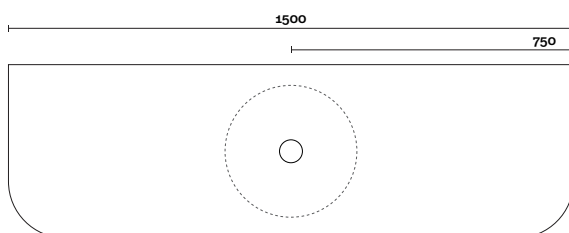
## 3 DRAWER LEG



## PROFILE



## PLAN



# MARQUIS

# Shore

Shore 6 1500mm off centre basin

### Top Thickness

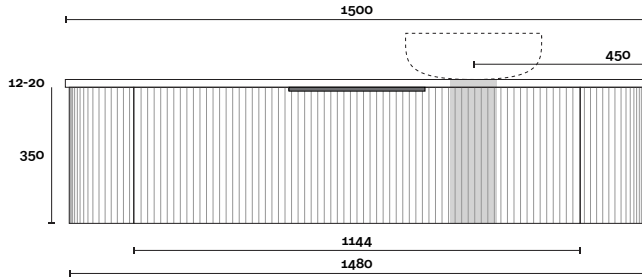
- Symphony: 20mm
- Stone Ambassador: 20mm
- Caesarstone: 20mm
- Vasari: 12mm
- Dekton: 12mm
- Timber: 30-35mm (Above counter only)

### Note:

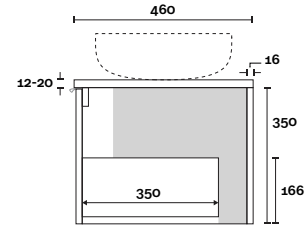
- Stone waste centre: 450mm std (may vary depending on basin)
- Left or Right hand basin available

 Plumbing allowance

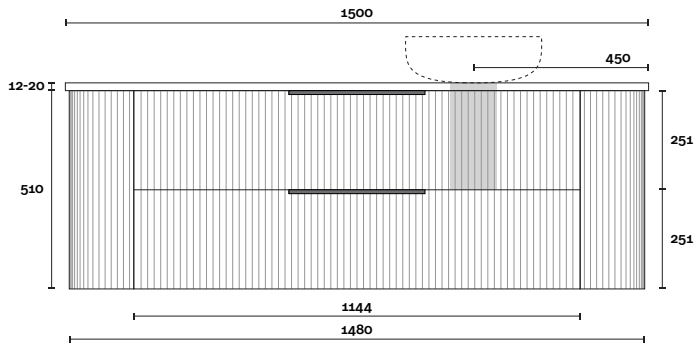
## 1 DRAWER WALLMOUNT



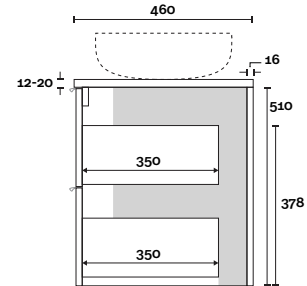
## PROFILE



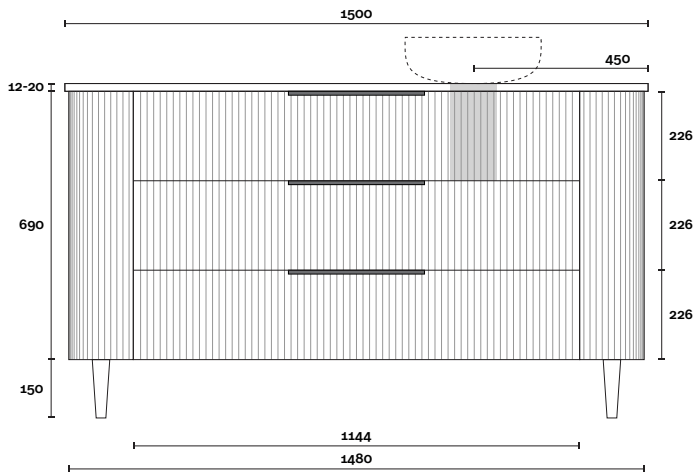
## 2 DRAWER WALLMOUNT



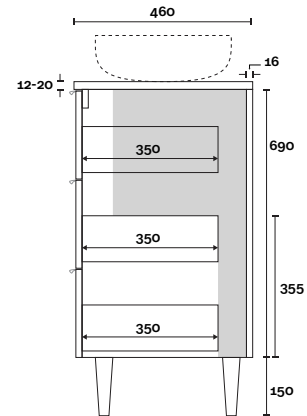
## PROFILE



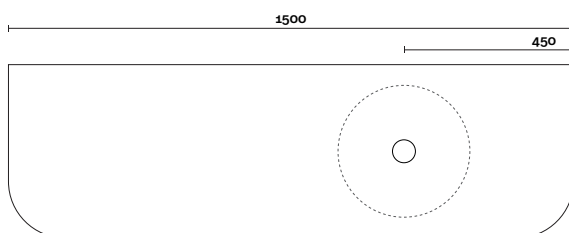
## 3 DRAWER LEG



## PROFILE



## PLAN



# MARQUIS

# Shore

Shore 7 1500mm double basin

### Top Thickness

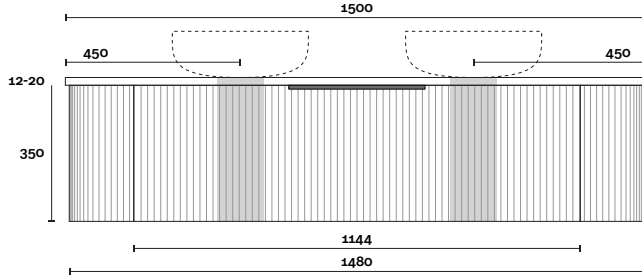
- Symphony: 20mm
- Stone Ambassador: 20mm
- Caesarstone: 20mm
- Vasari: 12mm
- Dekton: 12mm
- Timber: 30-35mm (Above counter only)

### Note:

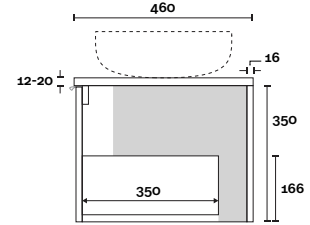
- Stone waste centre: 750mm std (may vary depending on basin)

 Plumbing allowance

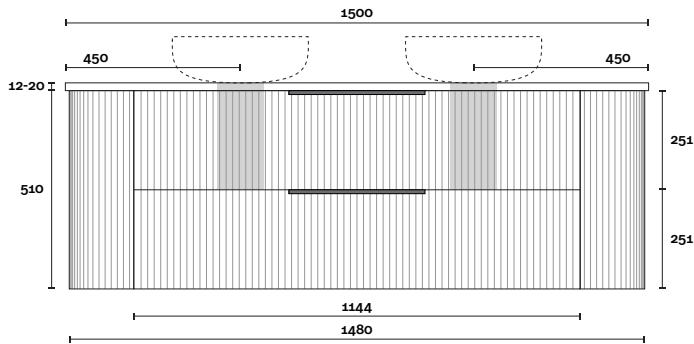
## 1 DRAWER WALLMOUNT



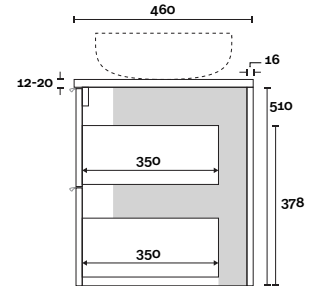
## PROFILE



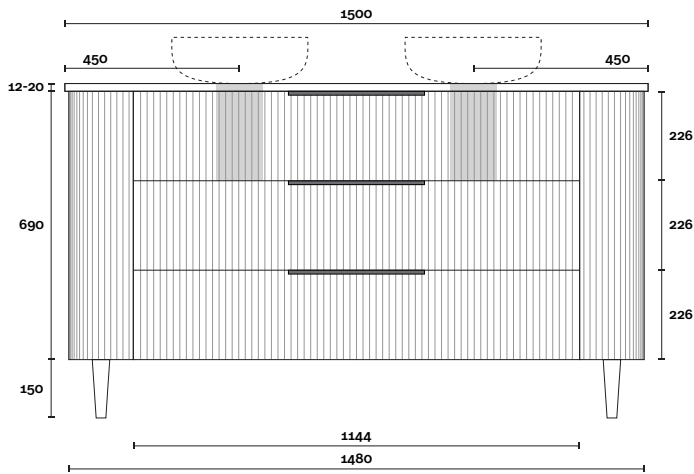
## 2 DRAWER WALLMOUNT



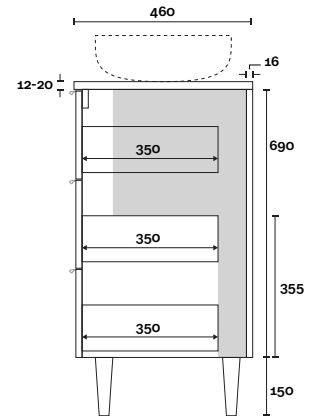
## PROFILE



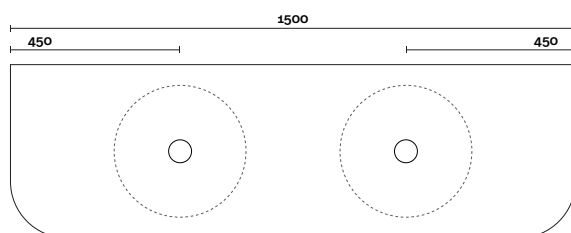
## 3 DRAWER LEG



## PROFILE



## PLAN



# MARQUIS

# Shore

Shore 8 1800mm centre basin

### Top Thickness

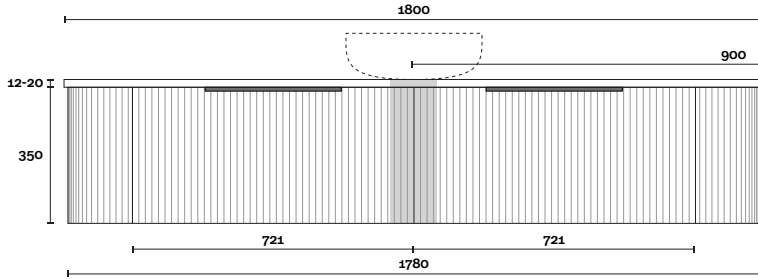
- Symphony: 20mm
- Stone Ambassador: 20mm
- Caesarstone: 20mm
- Vasari: 12mm
- Dekton: 12mm
- Timber: 30-35mm (Above counter only)

### Note:

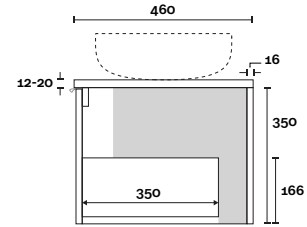
- Stone waste centre: 900mm std (may vary depending on basin)

 Plumbing allowance

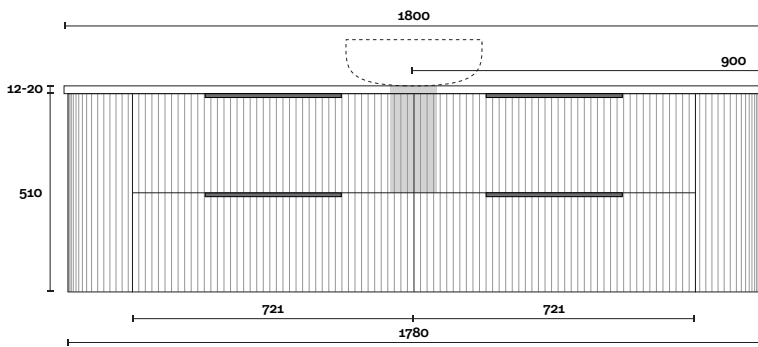
## 1 DRAWER WALLMOUNT



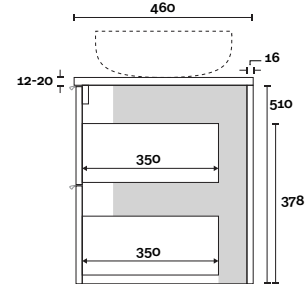
## PROFILE



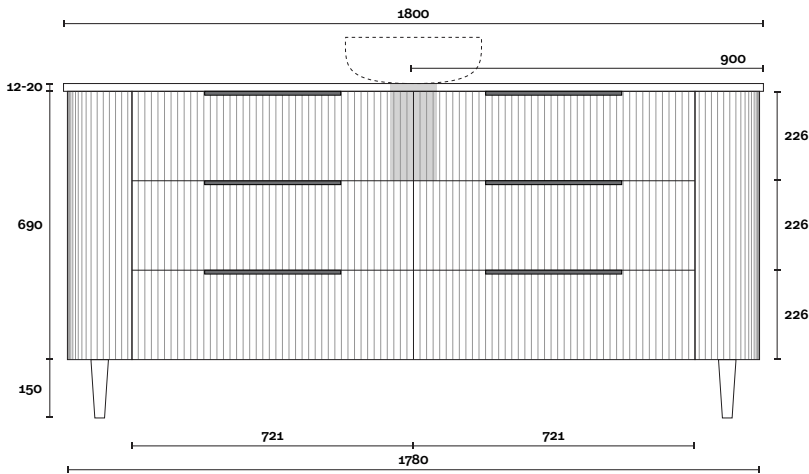
## 2 DRAWER WALLMOUNT



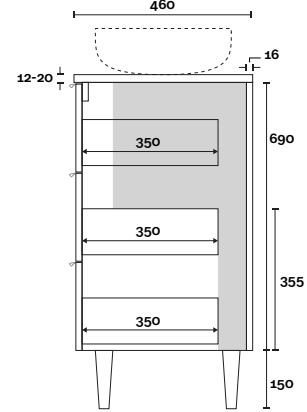
## PROFILE



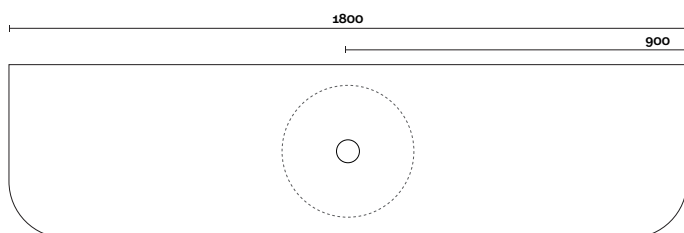
## 3 DRAWER LEG



## PROFILE



## PLAN





# MARQUIS

# Shore

Shore 9 1800mm off centre basin

### Top Thickness

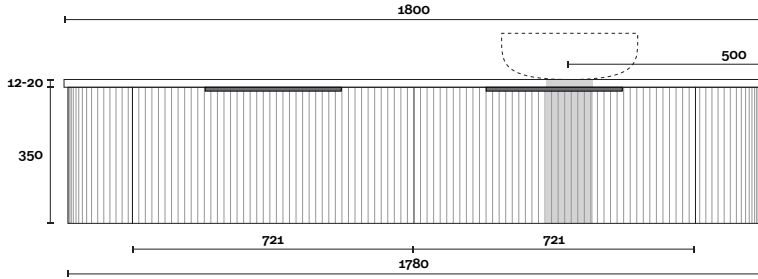
- Symphony: 20mm
- Stone Ambassador: 20mm
- Caesarstone: 20mm
- Vasari: 12mm
- Dekton: 12mm
- Timber: 30-35mm (Above counter only)

### Note:

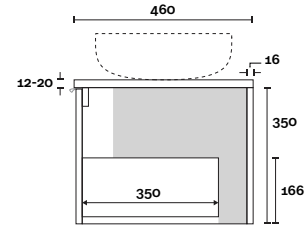
- Stone waste centre: 500mm std (may vary depending on basin)
- Left or Right hand basin available

 Plumbing allowance

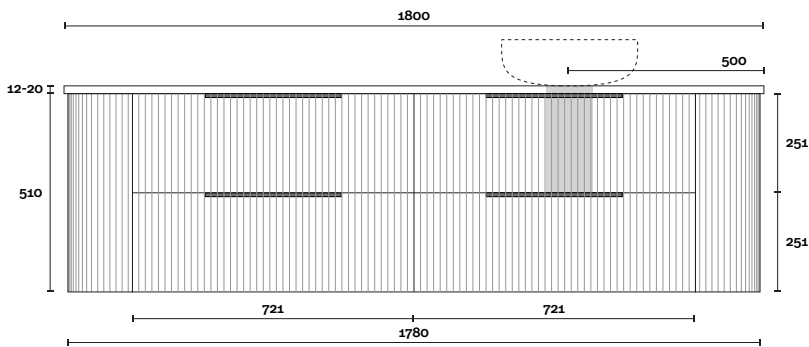
## 1 DRAWER WALLMOUNT



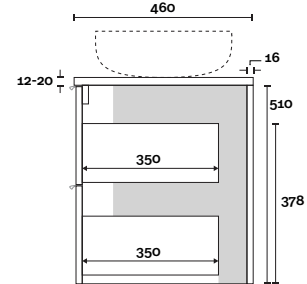
## PROFILE



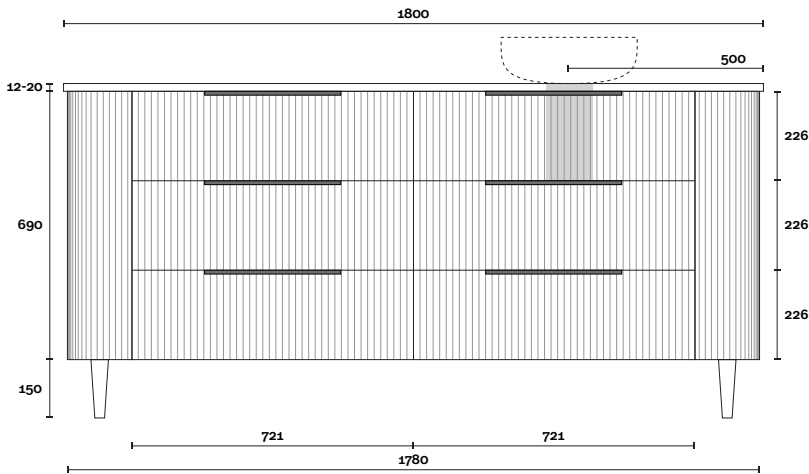
## 2 DRAWER WALLMOUNT



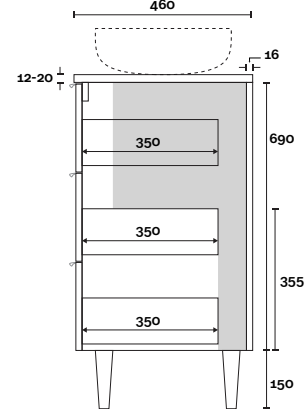
## PROFILE



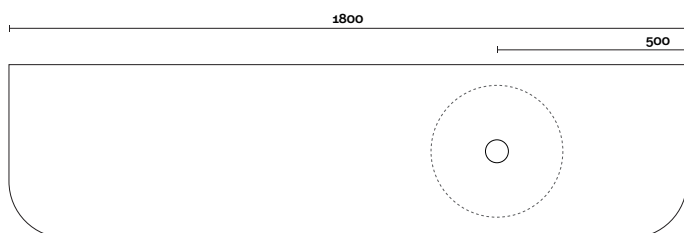
## 3 DRAWER LEG



## PROFILE



## PLAN



# MARQUIS

# Shore

Shore 10 1800mm double basin

### Top Thickness

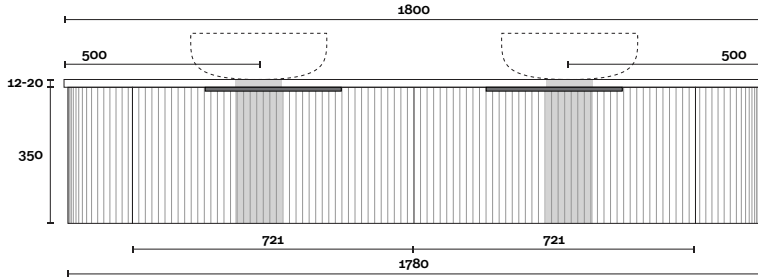
- Symphony: 20mm
- Stone Ambassador: 20mm
- Caesarstone: 20mm
- Vasari: 12mm
- Dekton: 12mm
- Timber: 30-35mm (Above counter only)

### Note:

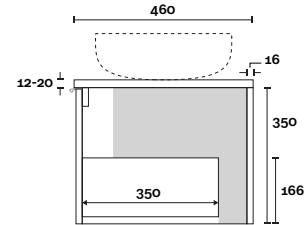
- Stone waste centre: 500mm std (may vary depending on basin)

 Plumbing allowance

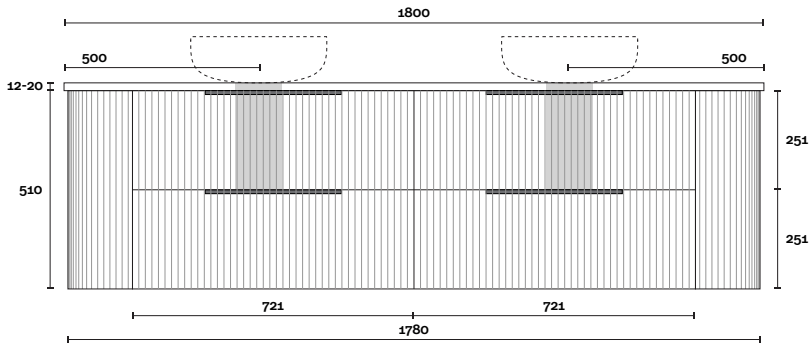
## 1 DRAWER WALLMOUNT



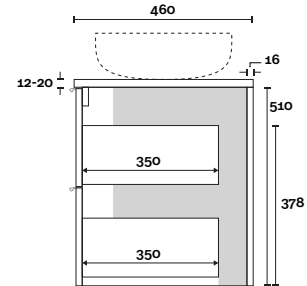
## PROFILE



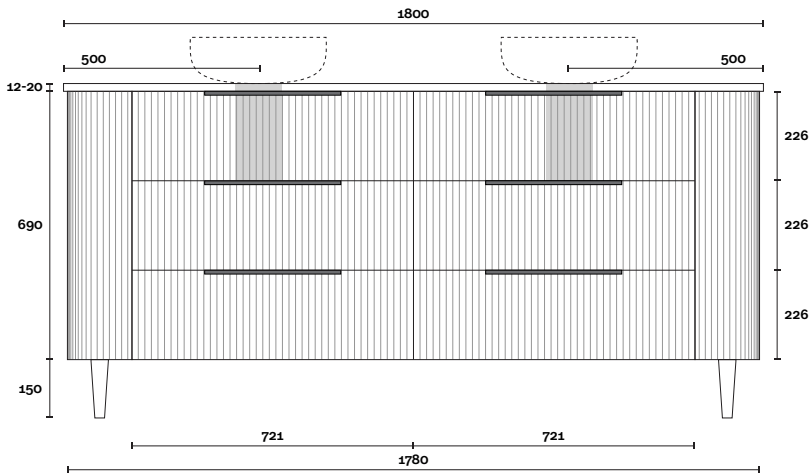
## 2 DRAWER WALLMOUNT



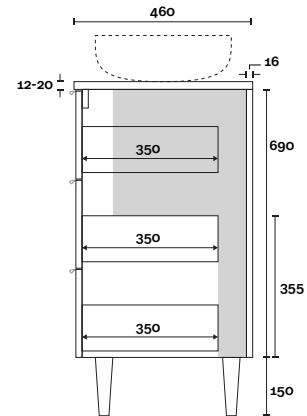
## PROFILE



## 3 DRAWER LEG



## PROFILE



## PLAN

