

**IMPORTANT: PLEASE READ ALL OF THE INSTRUCTIONS BEFORE INSTALLATION. CHECK THE PRODUCT THOROUGHLY FOR DAMAGE. INSTALLATION IS ACCEPTANCE OF GOODS SUPPLIED AND WILL VOID WARRANTY.**

# R&T IN-WALL CISTERN

FOR WALL FACED PANS

G30032

- Suits wall-faced pans
- Operating pressure 10-1000kpa
- HDPE one piece tank

## Warranties

At Fienza we pride ourselves on supplying products of a high standard. Our warranty periods are extremely competitive and practically designed to give the end user peace of mind.

## Domestic Use

Domestic warranties apply to domestic uses and applications of Fienza® products, such as private dwellings and retirement villages.

## Commercial Use

Commercial warranties apply to commercial uses and applications of Fienza® products, including, but not limited to: commercial food premises such as restaurants; commercial accommodation such as hotels; hospitals and healthcare facilities; public amenities; and industrial, laboratory and manufacturing facilities.

<b>Domestic Warranty</b>	3 years replacement parts or product (incl. labour in first year only)
<b>Commercial Warranty</b>	1 year replacement parts incl. labour

Does not include faulty or damaged products that have already been installed.

For full warranty terms and conditions, please visit our website: [fienza.com.au](http://fienza.com.au).



Before you proceed, make sure you know which pan model you are going to install, and check all dimensions.

## For WALL-FACED Pans Only

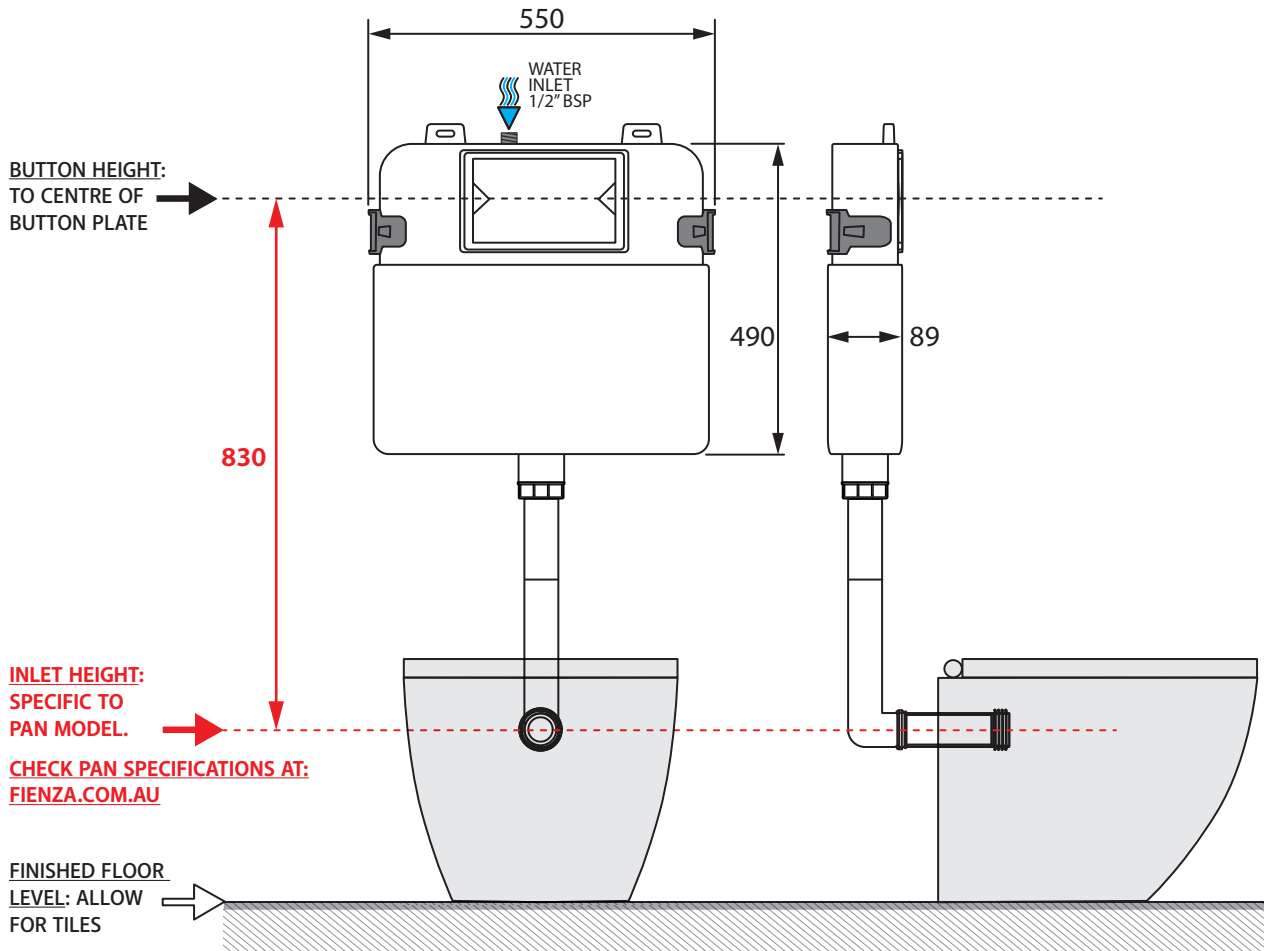
Wall-faced pans sit on the floor.



ITEM CODE: G30032  
UPDATED: 05-AUG-2020

All installations should be carried out by a qualified tradesman in compliance with the National Plumbing & Drainage Code and any State or Local Authority Regulations, in accordance with AS/NZS 3500 series of standards and AS/NZA 6400. All measurements are in millimetres and are subject to change without notice. For ceramic products, please allow +/- 5mm tolerance for manufacturing variance. Please refer to [fienza.com.au](http://fienza.com.au) for the latest product specification.

## General Dimensions and Water Supply:



### 1. CHOOSE YOUR PAN MODEL. Go to [fienza.com.au](https://fienza.com.au) for **PAN INLET HEIGHT**.

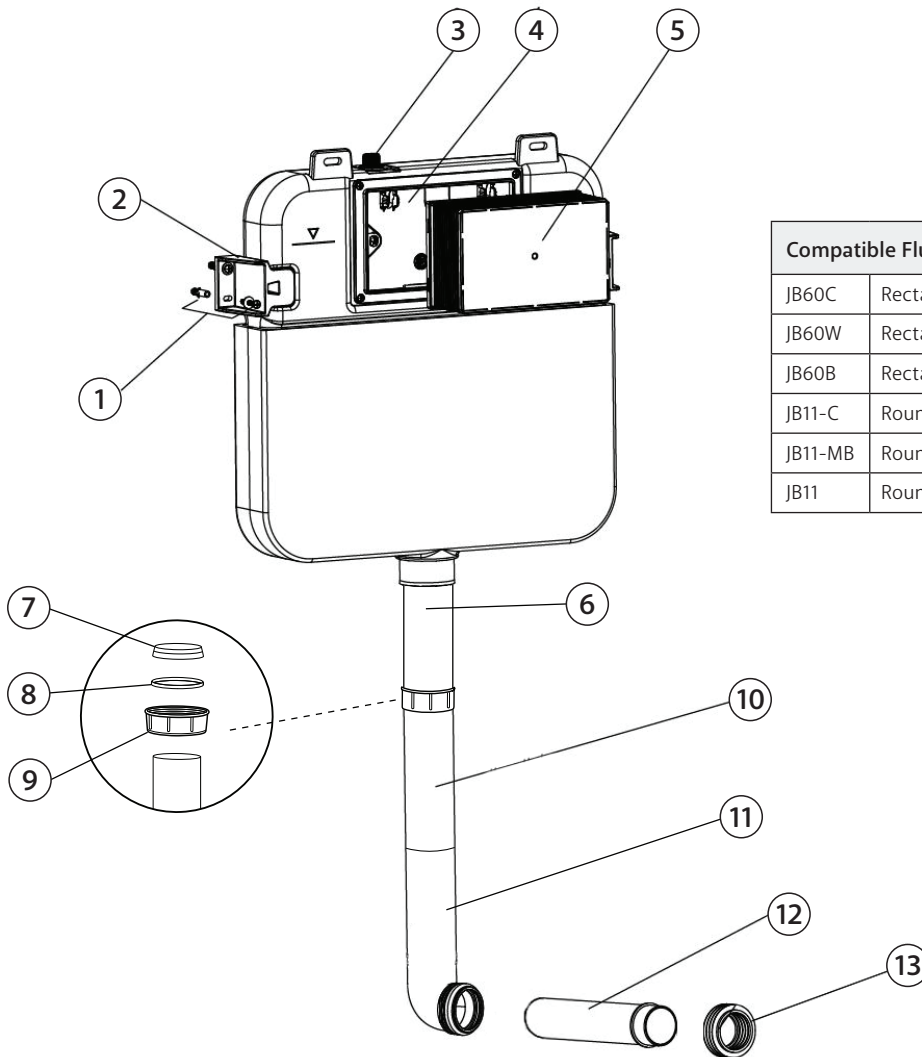
2. Start at **FINISHED FLOOR LEVEL** (including height of final floor covering, eg tiles).

3. Mark pan inlet height **SPECIFIC TO YOUR CHOSEN PAN MODEL** (see above).

4. Measure **830mm** above pan inlet height - this gives the centre of the button plate.

**\*Note:** The supplied down pipe height is **NOT** adjustable.

## Main Installation Components:



Compatible Flush Plates (with R&T cisterns only)	
JB60C	Rectangular Buttons, Chrome finish
JB60W	Rectangular Buttons, Gloss White finish
JB60B	Rectangular Buttons, Matte Black finish
JB11-C	Round Buttons, Chrome finish
JB11-MB	Round Buttons, Matte Black finish
JB11	Round Buttons, Stainless steel finish

No.	Description	QTY	Function
1	Expansion screw	4	Fixing cistern onto brick cavity wall (not required for stud wall)
2	Cistern fixing clip	2	Fixing cistern onto brick cavity wall (not required for stud wall)
3	Angle valve	1	Fill inlet valve & shut-off
4	Cistern cover	1	Airproof tank & mounting of locking bracket
5	Plastic holder	1	To reserve space for installation of actuator at time of wall construction To prevent dust & impurities from entering into tank during wall construction
6	Connector pipe	1	Joins cistern to down pipe
7	Rubber seal	1	To prevent leaks when connected to down pipe
8	Plastic ring	1	Secures seal and connector
9	Connector ring	1	Secures down pipe to connector pipe
10	Straight down pipe	1	Joins cistern and ceramic pan
11	Angled down pipe	1	Joins cistern and ceramic pan
12	Straight pipe	1	Cut according to wall thickness. Joins cistern and ceramic pan
13	Kee seal	1	Joins cistern and ceramic pan

ITEM CODE: G30032  
 UPDATED: 05-AUG-2020

All installations should be carried out by a qualified tradesman in compliance with the National Plumbing & Drainage Code and any State or Local Authority Regulations, in accordance with AS/NZS 3500 series of standards and AS/NZA 6400. All measurements are in millimetres and are subject to change without notice. For ceramic products, please allow +/- 5mm tolerance for manufacturing variance. Please refer to [fienza.com.au](http://fienza.com.au) for the latest product specification.

**Timber Frame Cistern Mounting:**

**BUTTON HEIGHT:  
TO CENTRE OF  
BUTTON PLATE**



**830**

**INLET HEIGHT:  
SPECIFIC TO  
PAN MODEL.**



**CHECK PAN SPECIFICATIONS AT:  
[FIENZA.COM.AU](http://FIENZA.COM.AU)**

**FINISHED FLOOR  
LEVEL: ALLOW  
FOR TILES**

