

**IMPORTANT: PLEASE READ ALL OF THE INSTRUCTIONS BEFORE INSTALLATION. CHECK THE PRODUCT THOROUGHLY FOR DAMAGE. INSTALLATION IS ACCEPTANCE OF GOODS SUPPLIED AND WILL VOID WARRANTY.**

# R&T IN-WALL CISTERN & FRAME

## FOR WALL HUNG PANS

G30031

- Designed for use with wall-hung pans
- Operating pressure 10-1000 kpa
- Fits 90 mm stud walls
- HDPE one-piece tank

### Warranties

At Fienza we pride ourselves on supplying products of a high standard. Our warranty periods are extremely competitive and practically designed to give the end user peace of mind.

### Domestic Use

Domestic warranties apply to domestic uses and applications of Fienza® products, such as private dwellings and retirement villages.

### Commercial Use

Commercial warranties apply to commercial uses and applications of Fienza® products, including, but not limited to: commercial food premises such as restaurants; commercial accommodation such as hotels; hospitals and healthcare facilities; public amenities; and industrial, laboratory and manufacturing facilities.

<b>Domestic Warranty</b>	3 years replacement parts or product (incl. labour in first year only)
<b>Commercial Warranty</b>	1 year replacement parts incl. labour

Does not include faulty or damaged products that have already been installed.

For full warranty terms and conditions, please visit our website: [fienza.com.au](http://fienza.com.au).



Before you proceed, make sure you know which pan model you are going to install, and check all dimensions.

### For WALL-HUNG Pans Only

Wall-hung pans are suspended from the wall, with clear space below.



ITEM CODE: G30031  
UPDATED: 01/10/2020

All installations should be carried out by a qualified tradesman in compliance with the National Plumbing & Drainage Code and any State or Local Authority Regulations, in accordance with AS/NZS 3500 series of standards and AS/NZA 6400. All measurements are in millimetres and are subject to change without notice. For ceramic products, please allow +/- 5mm tolerance for manufacturing variance. Please refer to [fienza.com.au](http://fienza.com.au) for the latest product specification.

## IMPORTANT: PLEASE READ THIS FIRST.

Please adhere to the following installation instructions. Fienza will not be liable for any failures or losses resulting from improper installation.

Please confirm the fixation location of frame prior to installation and obtain the finished floor level. Draw FFL on installation wall and follow it as baseline from ZERO (0) level.

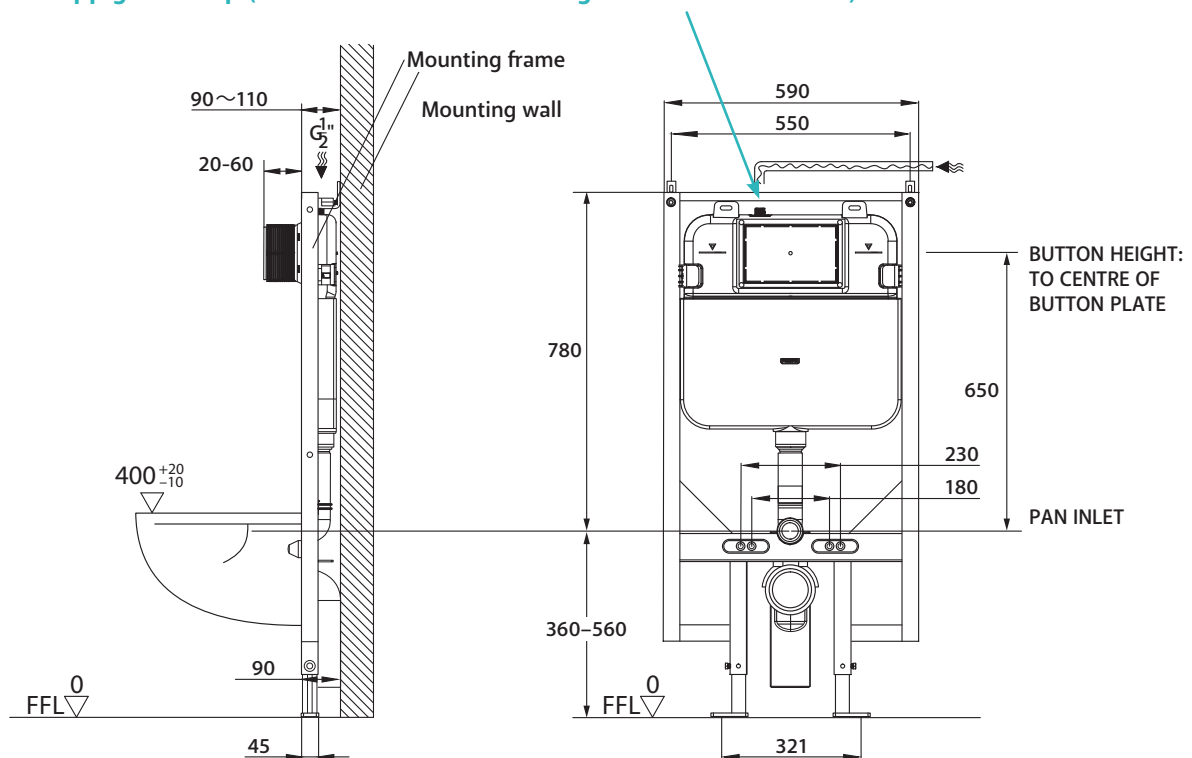
The instructions have been composed based on the latest product specifications. We reserve the right to make modifications to the packaging and specifications without prior notification. Please check [fienza.com.au](http://fienza.com.au) for the latest specification.

## NOTES:

- Mount before bricks building.
- All sizes are given in mm.
- Follow the dimensions of actual product received should there be any differences with the drawing.
- Finished Floor Level is indicated by:

FFL  $\nabla^0$  = FINISHED FLOOR

## Water supply from top (should be connected to angle valve inside cistern).



1. Go to [fienza.com.au](http://fienza.com.au) to check dimensions of your pan model.

2. Start at FINISHED FLOOR LEVEL (including height of final floor covering, eg tiles).

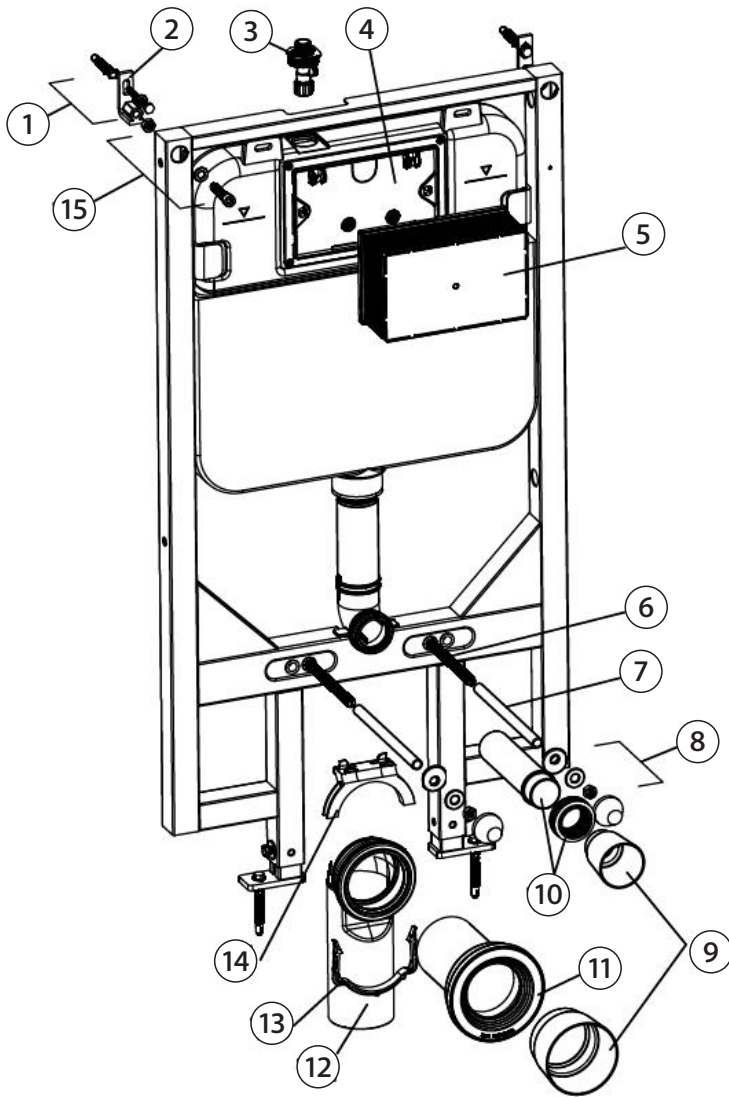
3. Mark desired pan inlet height for your chosen pan model (see above).

4. Measure 650mm above pan inlet height - this gives the centre of the button plate.

\*Note: The supplied down pipe height is NOT adjustable.

ITEM CODE: G30031  
 UPDATED: 01/10/2020

All installations should be carried out by a qualified tradesman in compliance with the National Plumbing & Drainage Code and any State or Local Authority Regulations, in accordance with AS/NZS 3500 series of standards and AS/NZS 6400. All measurements are in millimetres and are subject to change without notice. For ceramic products, please allow +/- 5mm tolerance for manufacturing variance. Please refer to [fienza.com.au](http://fienza.com.au) for the latest product specification.



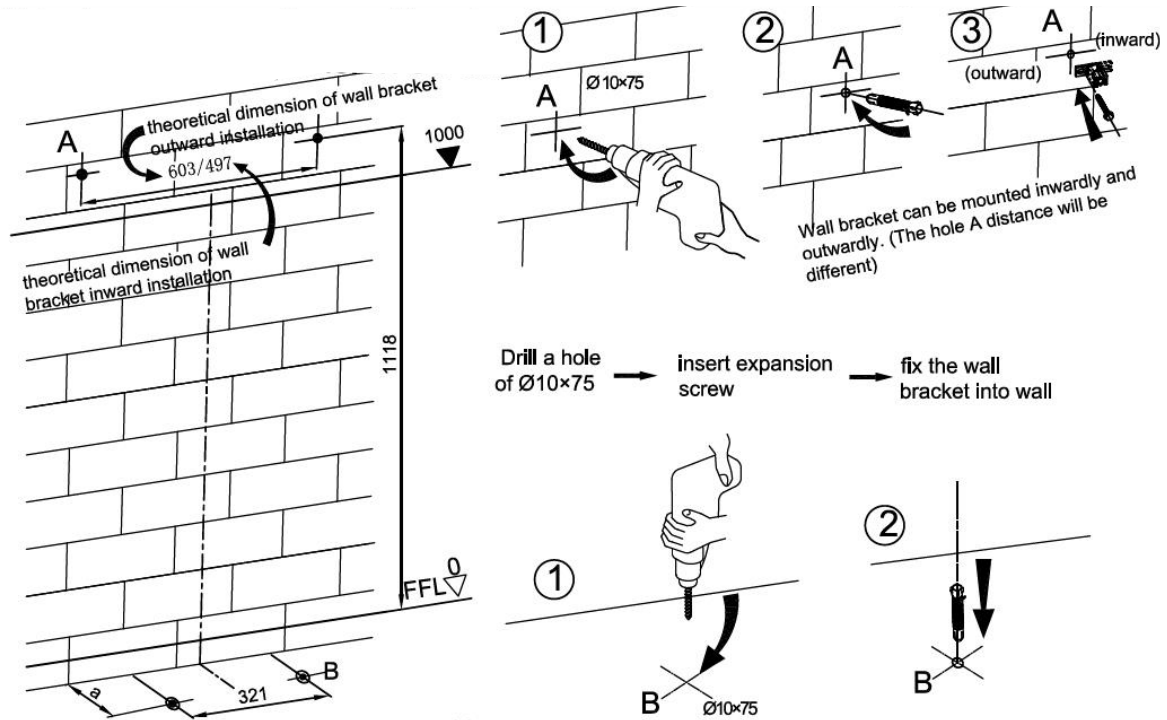
Compatible Flush Plates (with R&T cisterns only)	
JB60C	Rectangular Buttons, Chrome finish
JB60W	Rectangular Buttons, Gloss White finish
JB60B	Rectangular Buttons, Matte Black finish
JB11-C	Round Buttons, Chrome finish
JB11-MB	Round Buttons, Matte Black finish
JB11	Round Buttons, Stainless steel finish

No.	Description	QTY	Function
1	Expansion screw	4	Mounting of frame & wall bracket
2	Wall bracket	2	Fixation of frame
3	Angle valve	1	Fill inlet valve & shut-off
4	Cistern cover	1	Airproof tank & mounting of locking bracket
5	Plastic holder	1	To reserve space for installation of actuator at time of wall construction To prevent dust & impurities into tank during wall construction
6	Connecting screw	2	To mount ceramic pan
7	Protective cover	2	To protect connecting screw during wall construction
8	Ceramic pan fixing accessories	2	To mount ceramic pan
9	Piping stopper	2	To reserve space for straight tube & connecting pipe
10	Straight tube	1	To join cistern to ceramic pan (cut in accordance with wall thickness)
11	Connecting pipe	1	To join cistern to ceramic pan (cut in accordance with wall thickness)
12	Discharge pipe	1	To discharge liquid & solid waste from ceramic pan
13	Mounting bracket	1	To mount draining syphon
14	Discharge pipe holder	1	To mount draining syphon
15	Socket head screw	2	Mounting of frame & locking into wall bracket

ITEM CODE: G30031  
 UPDATED: 01/10/2020

All installations should be carried out by a qualified tradesman in compliance with the National Plumbing & Drainage Code and any State or Local Authority Regulations, in accordance with AS/NZS 3500 series of standards and AS/NZA 6400. All measurements are in millimetres and are subject to change without notice. For ceramic products, please allow +/- 5mm tolerance for manufacturing variance. Please refer to [fienza.com.au](http://fienza.com.au) for the latest product specification.

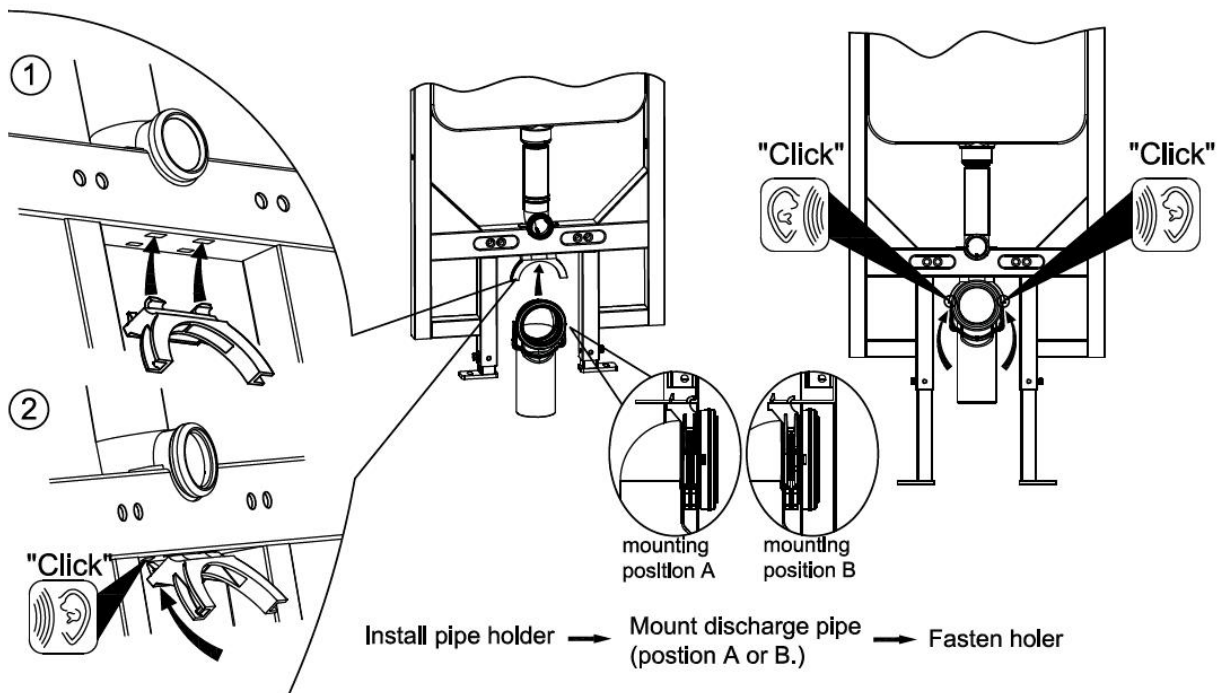
## 2. Drill holes on mounting wall and floor and install expansion screws



A dimension according to practical location of flushing pipe  
 ☆Note: Above drilling are theoretical dimensions of frame mounting.  
 Please follow by the practical location of frame.

Drill a hole of  $\varnothing 10 \times 75$  → insert expansion screw

## 3. Installation of draining syphon

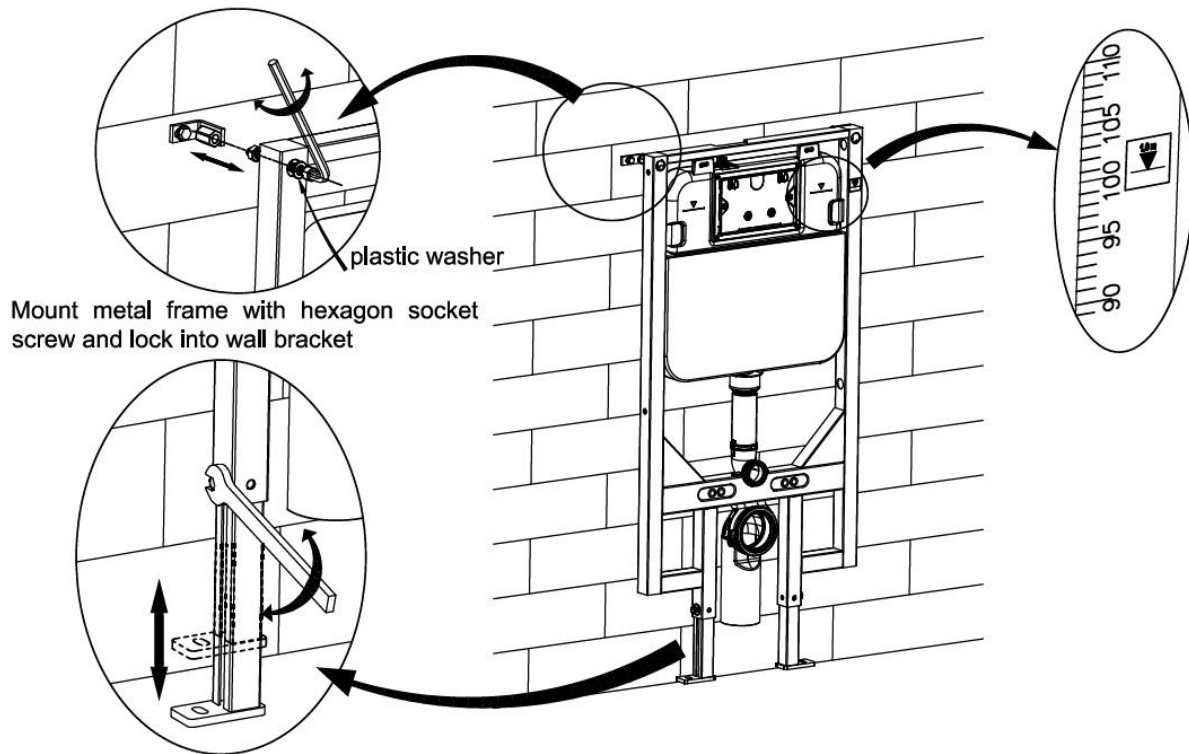


Install pipe holder → Mount discharge pipe (position A or B.) → Fasten holder

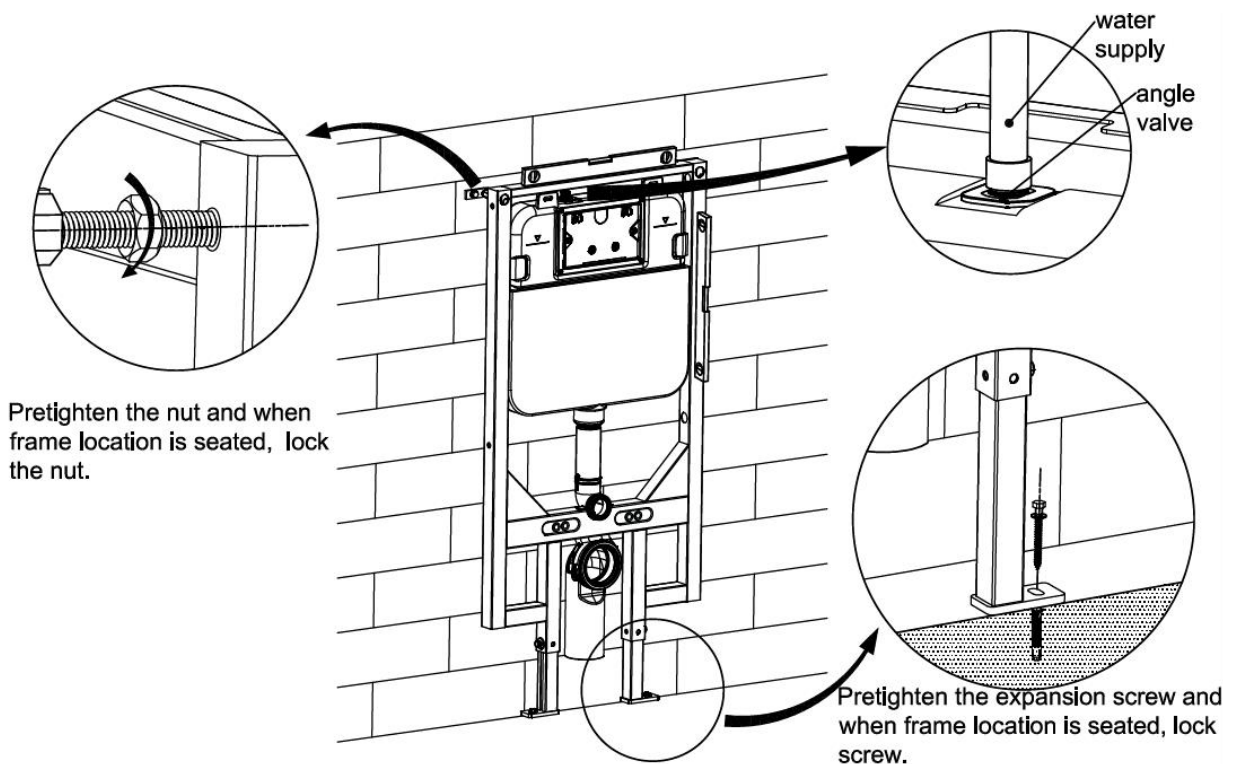
ITEM CODE: G30031  
 UPDATED: 01/10/2020

All installations should be carried out by a qualified tradesman in compliance with the National Plumbing & Drainage Code and any State or Local Authority Regulations, in accordance with AS/NZS 3500 series of standards and AS/NZA 6400. All measurements are in millimetres and are subject to change without notice. For ceramic products, please allow +/- 5mm tolerance for manufacturing variance. Please refer to [fienza.com.au](http://fienza.com.au) for the latest product specification.

## 4. Adjustment of socket head screw and floor fixing accessories



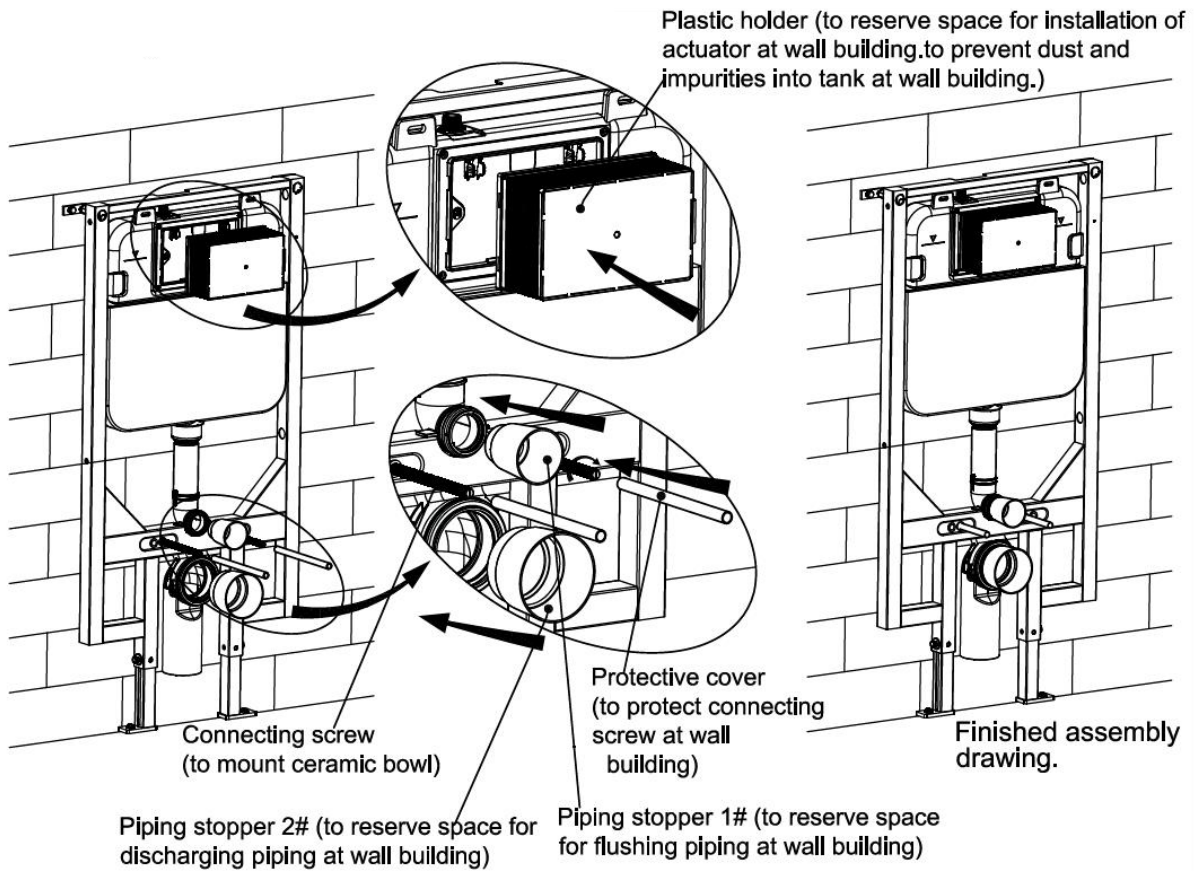
## 5. Adjustment and fixation of mounting frame



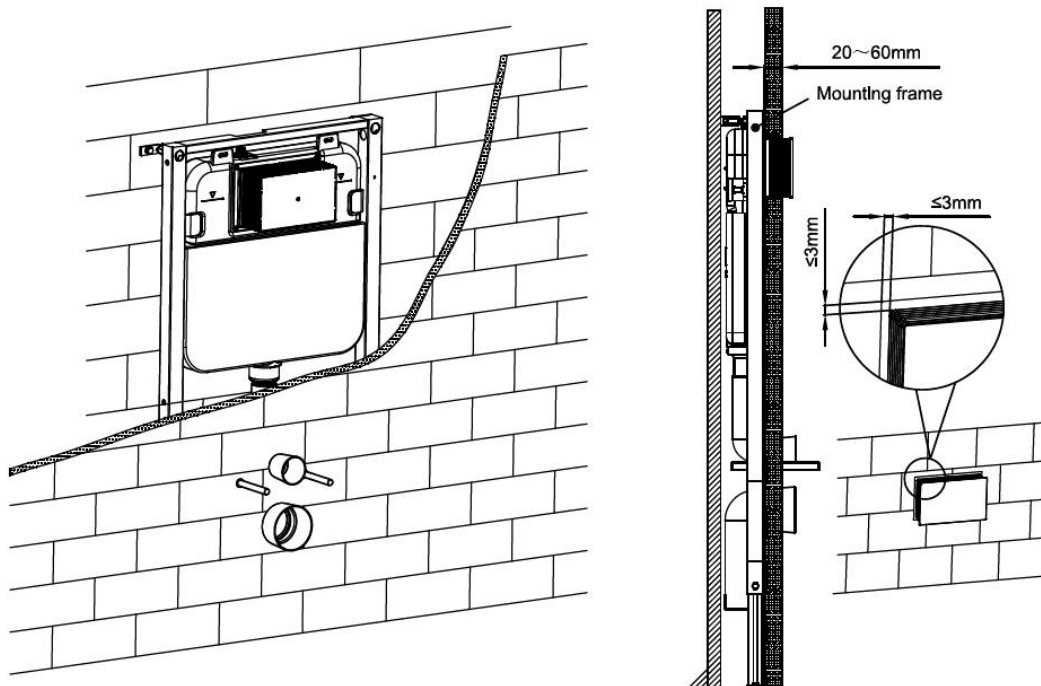
ITEM CODE: G30031  
 UPDATED: 01/10/2020

All installations should be carried out by a qualified tradesman in compliance with the National Plumbing & Drainage Code and any State or Local Authority Regulations, in accordance with AS/NZS 3500 series of standards and AS/NZA 6400. All measurements are in millimetres and are subject to change without notice. For ceramic products, please allow +/- 5mm tolerance for manufacturing variance. Please refer to [fienza.com.au](http://fienza.com.au) for the latest product specification.

## 6. Mounting of installation accessories



## 7. Wall thickness range 20-60mm (from frame outside surface to finished wall)



ITEM CODE: G30031  
 UPDATED: 01/10/2020

All installations should be carried out by a qualified tradesman in compliance with the National Plumbing & Drainage Code and any State or Local Authority Regulations, in accordance with AS/NZS 3500 series of standards and AS/NZA 6400. All measurements are in millimetres and are subject to change without notice. For ceramic products, please allow +/- 5mm tolerance for manufacturing variance. Please refer to [fienza.com.au](http://fienza.com.au) for the latest product specification.

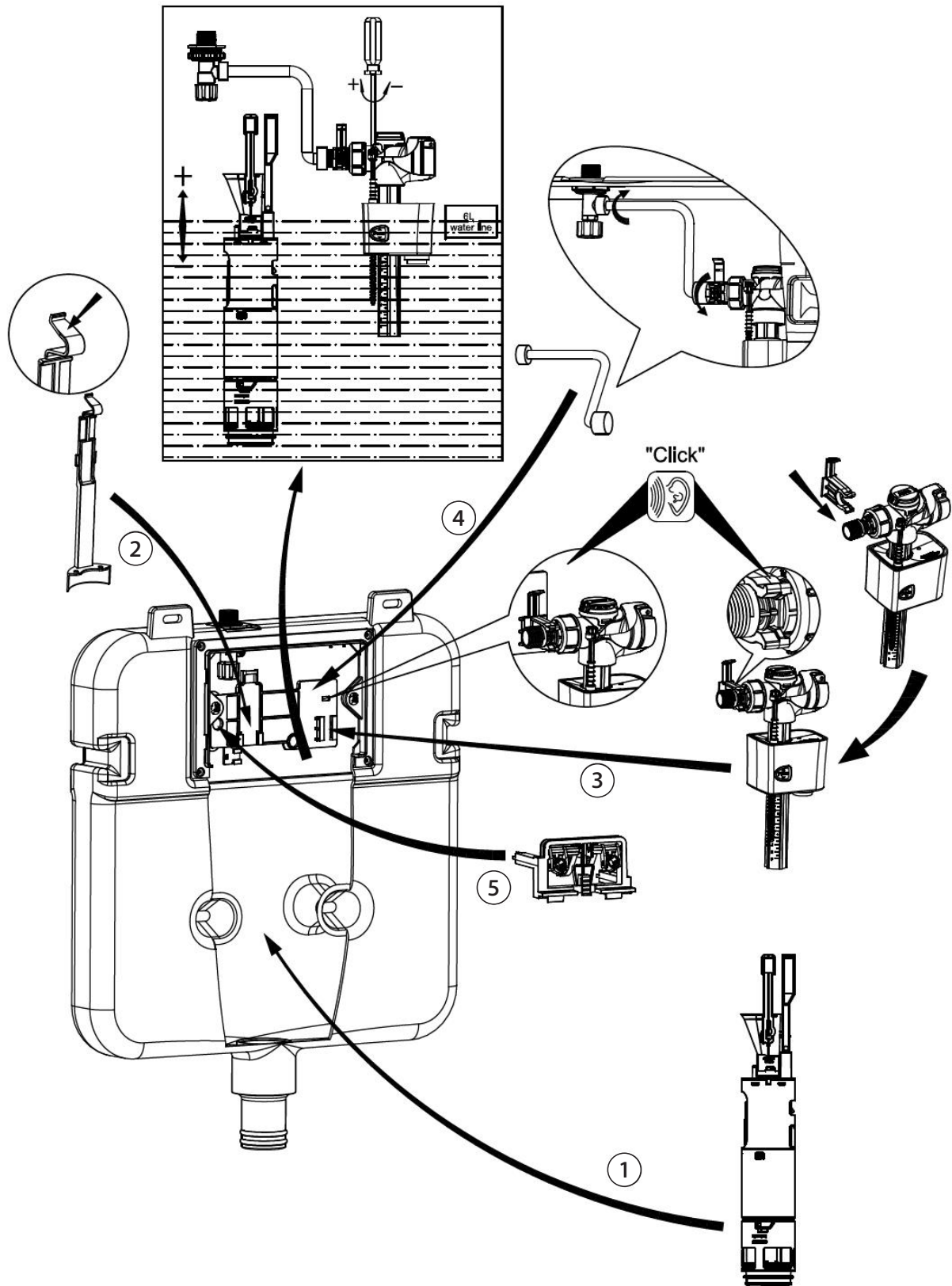
## 8. Mounting of ceramic bowl

<p>①</p> <p>Fully insert the straight tube into cistern flushing outlet and connecting pipe into discharging outlet.</p>	<p>②</p> <p>Draw the lines as above picture.</p>	<p>③</p> <p>Apply lubricant on rubber washers of straight tube and connecting pipe, then insert into ceramic holes.</p>
<p>④</p> <p>Draw the lines as above picture.</p>	<p>⑤</p> <p>As per drawing, L1 is distance between the two lines on straight tube. L2 is distance between the two lines on connecting pipe. Cut the straight tube and connecting pipe as per above drawing.</p>	<p>⑥</p> <p>Polishing the cutting surface to get chamfer angle as per drawing and deburring.</p>
<p>⑦</p> <p>Cut the protection sleeve outside of the wall with a knife. Apply lubricat on joint surface of straight tube and connecting pipe.</p>	<p>⑧</p> <p>Adjust length of connecting bolt to be <math>d+20\text{mm}</math></p>	<p>⑨</p> <p>Firstly insert connecting pipe into discharging outlet and straight tube into ceramic hole.</p>
<p>⑩</p> <p>Mounting the ceramic bowl.</p>	<p>⑪</p> <p>Screw the bowl and remove the extra pad.</p>	<p>⑫</p> <p>Apply cement or glue to fill and level up the gap to wall.</p> <p>Option 1</p> <p>Option 2</p>

ITEM CODE: G30031  
 UPDATED: 01/10/2020

All installations should be carried out by a qualified tradesman in compliance with the National Plumbing & Drainage Code and any State or Local Authority Regulations, in accordance with AS/NZS 3500 series of standards and AS/NZA 6400. All measurements are in millimetres and are subject to change without notice. For ceramic products, please allow +/- 5mm tolerance for manufacturing variance. Please refer to [fienza.com.au](http://fienza.com.au) for the latest product specification.

## 9. Internal flushing mechanism assembly drawing



The internal flushing mechanism are already well-assembled and above picture is only for reference.

ASGFA30034000A-1.0

ITEM CODE: G30031  
 UPDATED: 01/10/2020

All installations should be carried out by a qualified tradesman in compliance with the National Plumbing & Drainage Code and any State or Local Authority Regulations, in accordance with AS/NZS 3500 series of standards and AS/NZA 6400. All measurements are in millimetres and are subject to change without notice. For ceramic products, please allow +/- 5mm tolerance for manufacturing variance. Please refer to [fienza.com.au](http://fienza.com.au) for the latest product specification.