

IMPORTANT: PLEASE READ ALL OF THE INSTRUCTIONS BEFORE INSTALLATION. CHECK THE PRODUCT THOROUGHLY FOR DAMAGE. INSTALLATION IS ACCEPTANCE OF GOODS SUPPLIED AND WILL VOID WARRANTY.

R&T PNEUMATIC CONCEALED CISTERN FOR WALL-FACED PANS

G30035

- Designed for use with wall-faced pans
- Operating pressure 10-1000 kpa
- HDPE one-piece tank
- Includes raised *Care* flush buttons



Warranties

At Fienza we pride ourselves on supplying products of a high standard. Our warranty periods are extremely competitive and practically designed to give the end user peace of mind.

Domestic Use

Domestic warranties apply to domestic uses and applications of Fienza® products, such as private dwellings and retirement villages.

Commercial Use

Commercial warranties apply to commercial uses and applications of Fienza® products, including, but not limited to: commercial food premises such as restaurants; commercial accommodation such as hotels; hospitals and healthcare facilities; public amenities; and industrial, laboratory and manufacturing facilities.

Domestic Warranty	3 years replacement parts or product (incl. labour in first year only)
Commercial Warranty	1 year replacement parts incl. labour

Does not include faulty or damaged products that have already been installed.

For full warranty terms and conditions, please visit our website: fienza.com.au.

Before you proceed, make sure you know which pan model you are going to install, and check all dimensions.

For WALL-FACED Pans Only

Wall-faced pans sit on the floor.



ITEM CODE: G30035
UPDATED: 15/10/2020

All installations should be carried out by a qualified tradesman in compliance with the National Plumbing & Drainage Code and any State or Local Authority Regulations, in accordance with AS/NZS 3500 series of standards and AS/NZA 6400. All measurements are in millimetres and are subject to change without notice. For ceramic products, please allow +/- 5mm tolerance for manufacturing variance. Please refer to fienza.com.au for the latest product specification.

IMPORTANT: PLEASE READ THIS FIRST.

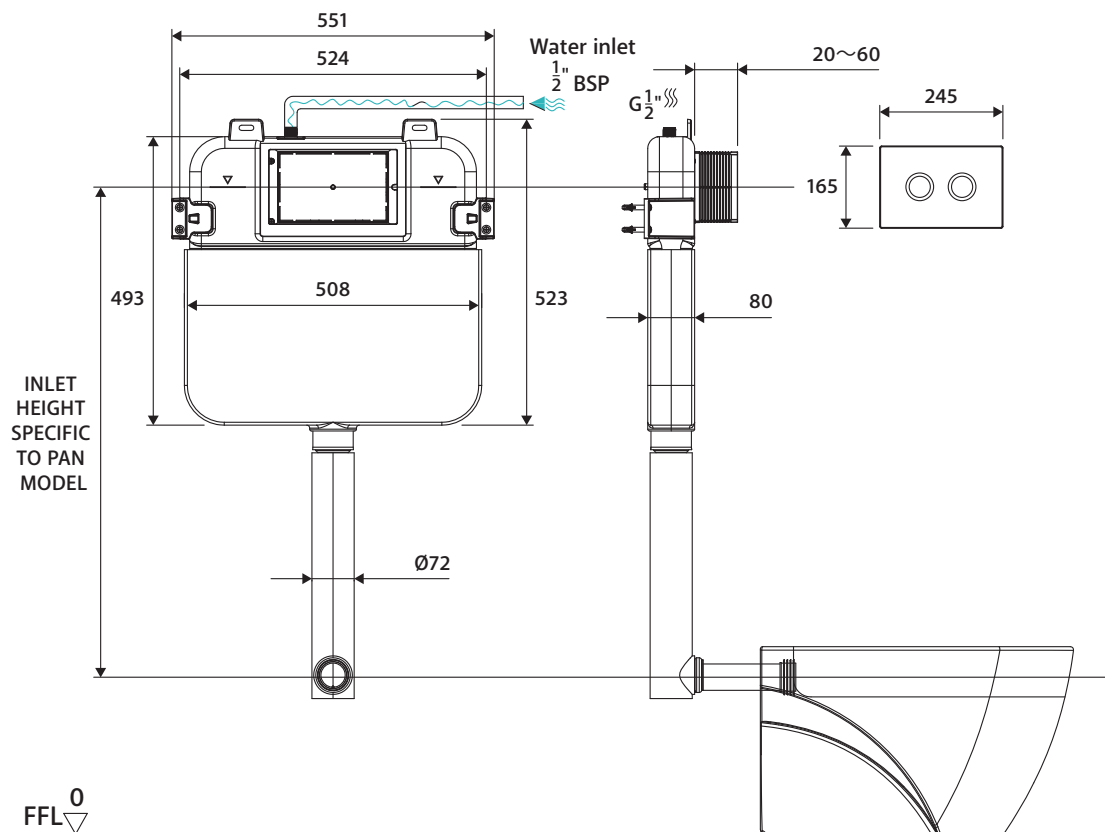
Please adhere to the following installation instructions. Fienza will not be liable for any failures or losses resulting from improper installation.

The instructions have been composed based on the latest product specifications. We reserve the right to make modifications to the packaging and specifications without prior notification. Please check fienza.com.au for the latest specification.

NOTES:

- Install before wall sheeting and tiling.
- All sizes are in millimetres (mm).
- Water supply should be connected to angle valve inside cistern.
- Follow the dimensions of actual product received should there be any differences with the drawing.
- Finished Floor Level is indicated by:

FFL ∇^0 = FINISHED FLOOR



1. Go to fienza.com.au to check dimensions of your pan model.

2. Start at FINISHED FLOOR LEVEL (including height of final floor covering, e.g. tiles).

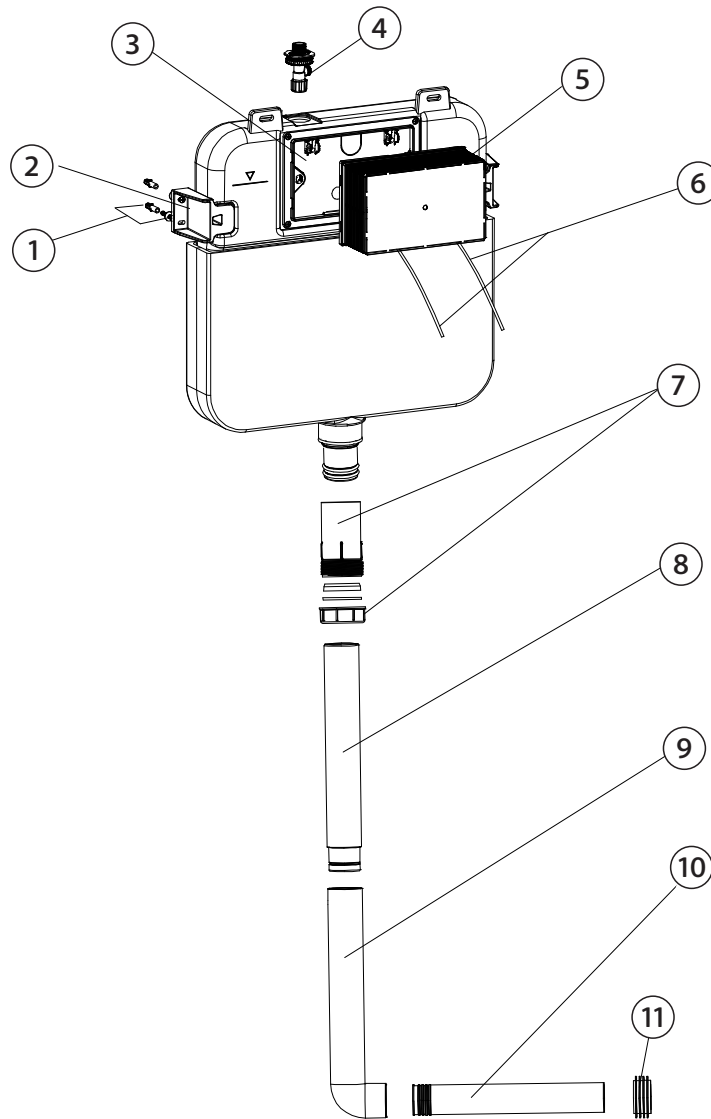
3. Mark pan inlet height SPECIFIC to your chosen pan model (see above).

4. Measure 830mm above pan inlet height - this gives the centre of the button plate.]

*Note: The supplied down pipe height is NOT adjustable.

ITEM CODE: G30035
 UPDATED: 15/10/2020

All installations should be carried out by a qualified tradesman in compliance with the National Plumbing & Drainage Code and any State or Local Authority Regulations, in accordance with AS/NZS 3500 series of standards and AS/NZA 6400. All measurements are in millimetres and are subject to change without notice. For ceramic products, please allow +/- 5mm tolerance for manufacturing variance. Please refer to fienza.com.au for the latest product specification.



No.	Description	QTY	Function
1	Expansion screw	4	Fixing cistern onto brick cavity wall (not required for stud wall)
2	Cistern fixing clip	2	
3	Cistern cover	1	Airproof tank and mounting of locking bracket
4	Angle valve	1	Fill inlet valve & shut-off
5	Plastic holder	1	To reserve space for installation of actuator at time of wall construction To prevent dust & impurities from entering into tank during wall construction
6	Tube	2	To connect pneumatic actuator and pneumatic flush valve
7	Connecting tube	1	To connect water outlet and straight pipe
8	Straight pipe	1	Water inlet to ceramic pan (can be cut in accordance with installation height)
9	Elbow pipe	1	
10	Straight pipe	1	To join cistern into ceramic pan (can be cut according to the distance between ceramic pan and wall).
11	Kee seal	1	

ITEM CODE: G30035
 UPDATED: 15/10/2020

All installations should be carried out by a qualified tradesman in compliance with the National Plumbing & Drainage Code and any State or Local Authority Regulations, in accordance with AS/NZS 3500 series of standards and AS/NZA 6400. All measurements are in millimetres and are subject to change without notice. For ceramic products, please allow +/- 5mm tolerance for manufacturing variance. Please refer to fienza.com.au for the latest product specification.

TIMBER FRAME CISTERN MOUNTING

BUTTON HEIGHT:
TO CENTRE OF
BUTTON PLATE



INLET HEIGHT:
SPECIFIC TO
PAN MODEL.



CHECK PAN SPECIFICATIONS AT:
FIENZA.COM.AU

**FINISHED FLOOR
LEVEL: ALLOW
FOR TILES**

