





Opal Free Standing Bath Mixer With Hand Shower

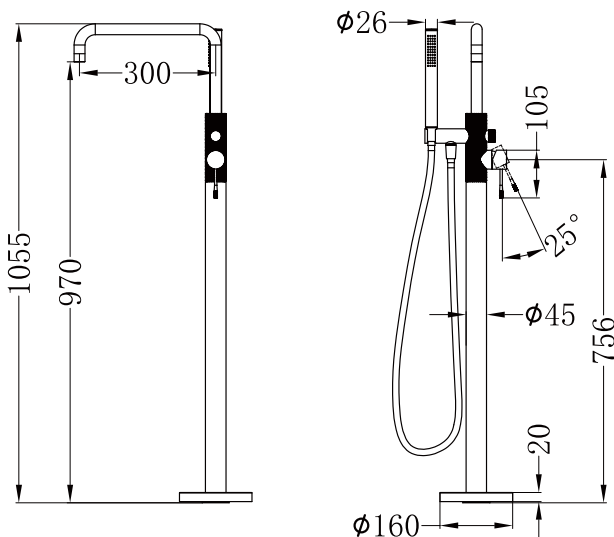


SPECIFICATION

WELS RATING	3STAR 9L/MIN
WATERMARK LICENSE	WM-060073
TEMPERATURE RATING	MIN 1°C-MAX 75°C
PRESSURE RATING	MIN 150KPa-MAX 500KPa

FINISH

	GRAPHITE NR251903aGR		BRUSHED NICKEL NR251903aBN
	BRUSHED GOLD NR251903aBG		BRUSHED BRONZE NR251903aBZ



Dimensions are nominal measurements only.

MAINTENANCE AND CARE

All surfaces should be cleaned with mild liquid detergent or soap and water.

Do not use cream cleaners or citrus based cleaning products, as they are abrasive.

Use of unsuitable cleaning agents may damage the surface. Any damage caused in this way will not be covered by warranty.

PACKING INCLUDES

- 1x mixer tap
- 1x extension tube
- 1x floor cover plate
- 2x water pipes
- 1x mixer box
- 1x gloves
- 4x dynabolt
- 1x instruction
- 1x allen key pack
- 1x leveling plate
- 1x gradiometer
- 1x testing plugs



Versions: V1

Installation Instruction

Please inspection all spare parts list when you open box,if any problem,please contract with seller. Spare parts list as follow.

Item	Parts Name	QTY
1	Mixer Tap	1
2	Extension Tube	1
3	Floor Cover Plate	1
4	Water Pipes	2
5	Mixer Box	1
6	Dynabolt	4
7	Gloves	1
8	Instruction	1
9	Allen Key Pack	1
10	Leveling Plate	1
11	Gradiometer	1
12	Testing Plugs	1

