

Modern Moon 660



Dimension (mm):

Diameter	660
Depth	50







Weight (kg):

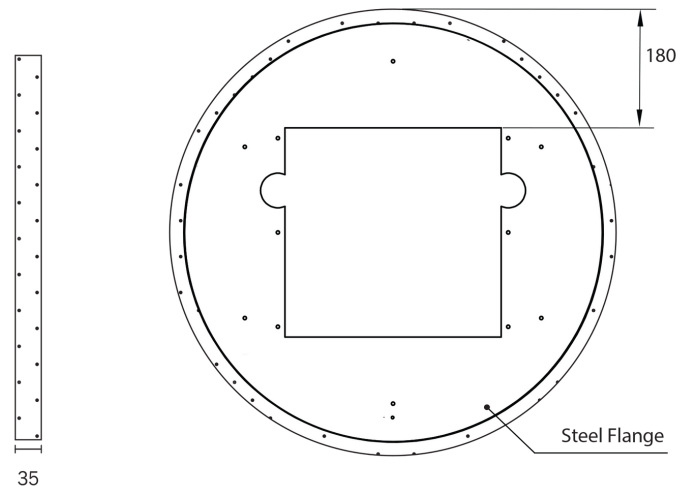
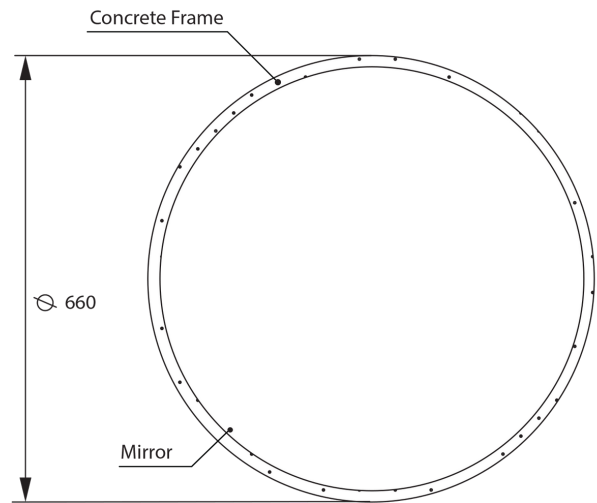
Approx Weight	12
---------------	----

Features:

- Copper Free Mirror ✓
- With Coloured Concrete Frame ✓

Coloured Concrete Frame

Ash		MM66-CA
Desert		MM66-CD
Nickel		MM66-CN
Stone		MM66-CS
Taupe		MM66-CT
Coal		MM66-CC



To clean this mirror, wipe it with a soft microfiber cloth or a lint free cloth that has been rinsed in warm water and wrung out well, then rub the mirror gently with a soft dry cloth.

PLEASE do not use glass or window cleaner, or other cleaners with chemical agents. These may damage the silver coating and brown marks can result.

Please confirm all particulars with your sales consultant or refer to our website for more information prior to purchase.

WARRANTY
5 years

*Conditions apply