

Mecca Wall Mounted Swivel Bath Spout 225mm

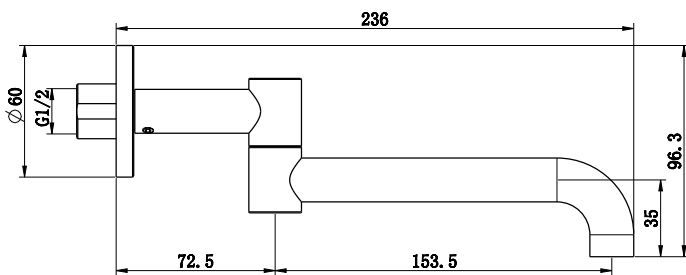
SPECIFICATION

WATERMARK LICENSE	WM-060073
TEMPERATURE RATING	MIN 1°C-MAX 75°C
PRESSURE RATING	MIN 150KPa-MAX 500KPa



FINISH

	CHROME NR221903gCH		MATTE BLACK NR221903gMB
	BRUSHED NICKEL NR221903gBN		GUN METAL NR221903gGM
	BRUSHED GOLD NR221903gBG		BRUSHED BRONZE NR221903gBZ
	MATTE WHITE NR221903gMW		



Dimensions are nominal measurements only.

MAINTENANCE AND CARE

All surfaces should be cleaned with mild liquid detergent or soap and water.

Do not use cream cleaners or citrus based cleaning products, as they are abrasive.

Use of unsuitable cleaning agents may damage the surface. Any damage caused in this way will not be covered by warranty.

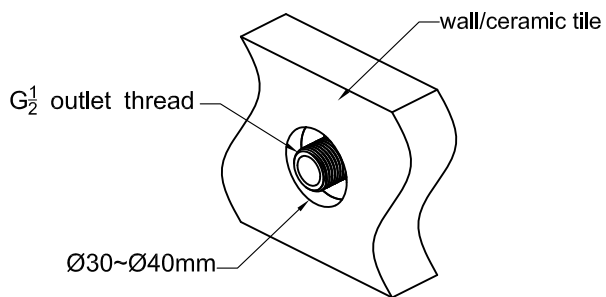
PACKING INCLUDES

- 1x spout
- 1x plate

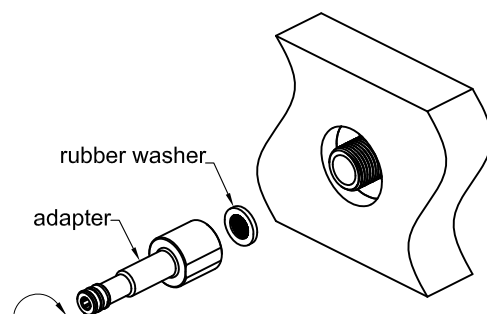


Installation Instruction

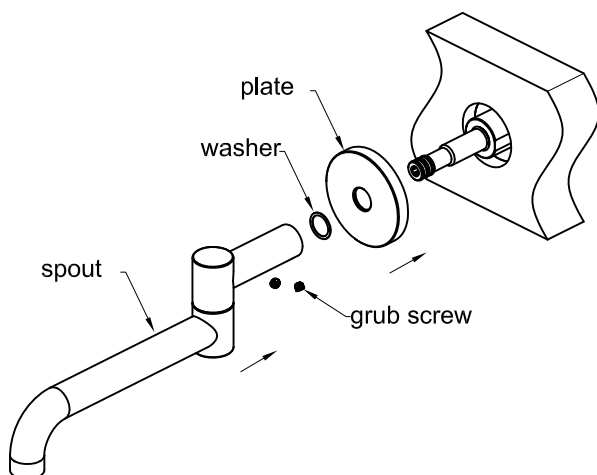
1. Cut off the $G\frac{1}{2}$ outlet thread to flush with the finished wall surface.
Make sure the hole of ceramic tile is $\text{Ø}30\sim\text{Ø}40\text{mm}$.



2. Screw the $G\frac{1}{2}$ spout adapter on the outlet thread, and ensure there is rubber washer inside, as shown in the figure.



3. Slide plate, washer and spout onto adapter successively, then screw grub screw into spout with allen key firmly.



4. Test and check for leaks.

